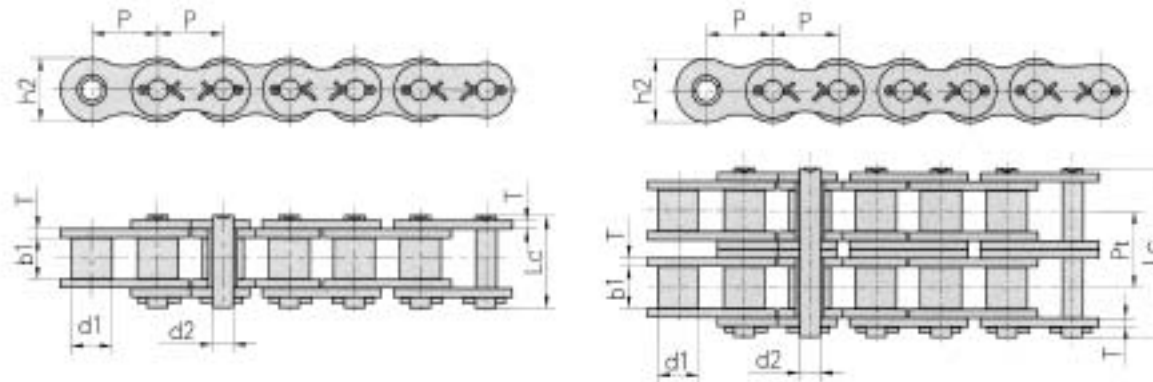


TRITAN

PRECISION ROLLER CHAIN

YOUR LINK TO QUALITY.

PRECISION ROLLER COTTERED SINGLE AND DOUBLE STRAND



ANSI CHAIN NUMBER	PITCH P	ROLLER DIA. d1 max	WIDTH BETWEEN INNER PLATES b1 min	PIN DIA. d2 max	PIN LENGTH		INNER PLATE DEPTH h2 max	PLATE THICK- NESS T max	TRANS VERSE PITCH Pt inch	ULTIMATE TENSILE STRENGTH Q min lb	AVERAGE TENSILE STRENGTH Qo lb	WEIGHT PER FOOT q lb/ft
					L	Lc						
					max inch	max inch						
50-1C	0.625	0.400	0.370	0.200		0.917	0.59	0.080		4990.782	6609.414	0.685
60-1C	0.750	0.469	0.495	0.234		1.114	0.71	0.095		7148.958	9329.615	1.008
80-1C	1.000	0.625	0.620	0.312		1.437	0.94	0.128		12746.727	15601.814	1.747
100-1C	1.250	0.750	0.744	0.375		1.760	1.18	0.157		19895.685	24549.252	2.627
120-1C	1.500	0.875	0.993	0.437		2.136	1.41	0.189		28550.870	35137.803	3.777
140-1C	1.750	1.000	0.993	0.500		2.323	1.61	0.220		38757.244	47659.720	5.040
160-1C	2.000	1.125	1.242	0.562		2.740	1.88	0.252		50986.906	62699.509	6.787
180-1C	2.250	1.406	1.397	0.687		3.094	2.11	0.283		62991.762	76840.058	8.038
200-1C	2.500	1.562	1.490	0.781		3.433	2.36	0.315		79537.778	97027.996	10.852
240-1C	3.000	1.875	1.864	0.937		4.055	2.85	0.374		114720.543	139944.225	15.590
50-2C	0.625	0.400	0.370	0.200		1.622	0.59	0.080	0.713	9981.564	13061.461	1.344
60-2C	0.750	0.469	0.495	0.234		2.012	0.71	0.095	0.897	14297.916	18456.901	1.962
80-2C	1.000	0.625	0.620	0.312		2.591	0.94	0.128	1.153	25493.454	31878.058	3.461
100-2C	1.250	0.750	0.744	0.375		3.169	1.18	0.157	1.408	39791.370	49323.314	5.241
120-2C	1.500	0.875	0.993	0.437		3.925	1.41	0.189	1.789	57101.740	70792.669	7.862
140-2C	1.750	1.000	0.993	0.500		4.248	1.61	0.220	1.924	77514.488	96106.275	10.174
160-2C	2.000	1.125	1.242	0.562		5.043	1.88	0.252	2.305	101973.816	126433.144	13.534
180-2C	2.250	1.406	1.397	0.687		5.685	2.11	0.283	2.592	126006.005	156242.950	19.635
200-2C	2.500	1.562	1.490	0.781		6.252	2.36	0.315	2.817	159075.556	197248.294	21.665
240-2C	3.000	1.875	1.864	0.937		7.512	2.85	0.374	3.458	229441.086	282203.993	30.393