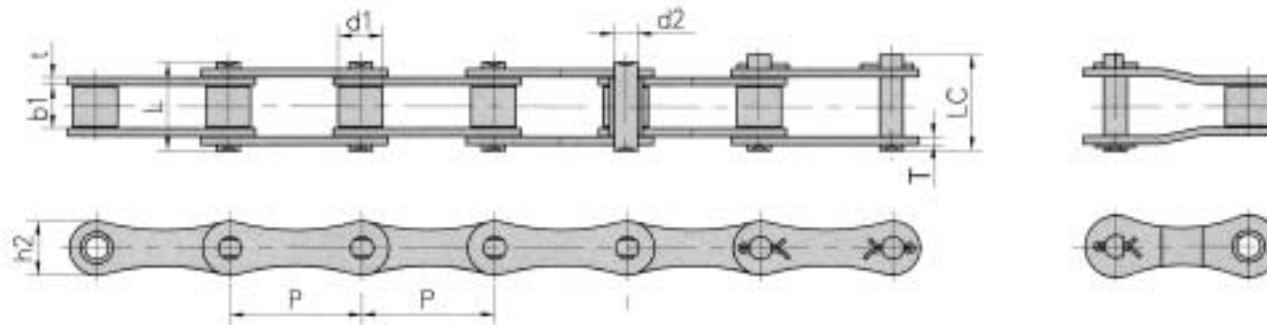


TRITAN

PRECISION ROLLER CHAIN

YOUR LINK TO QUALITY.

PRECISION ROLLER DOUBLE PITCH CHAIN



ANSI CHAIN NUMBER	PITCH	ROLLER DIA.	WIDTH BETWEEN INNER PLATES	PIN DIA.	PIN LENGTH		INNER PLATE DEPTH	PLATE THICK- NESS	ULTIMATE TENSILE STRENGTH	AVERAGE TENSILE STRENGTH	WEIGHT PER FOOT
					L	Lc					
2040	1.000	0.313	0.309	0.156	0.654	0.701	0.47	0.059	3170	3754	0.282
2050	1.250	0.400	0.370	0.200	0.815	0.874	0.59	0.080	4991	6317	0.491
2060	1.500	0.469	0.495	0.234	1.020	1.091	0.71	0.095	7149	8273	0.685
2080	2.000	0.625	0.620	0.312	1.287	1.437	0.94	0.128	12747	14770	1.142
2080H	2.000	0.625	0.620	0.312	1.425	1.551	0.94	0.157	12747	15737	1.458
2100	2.500	0.750	0.744	0.375	1.591	1.760	1.18	0.157	19896	23987	1.714
2120	3.000	0.875	0.993	0.437	1.980	2.138	1.41	0.189	28551	40016	2.728