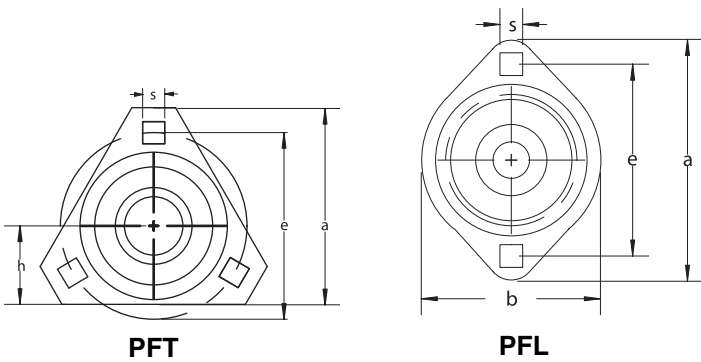
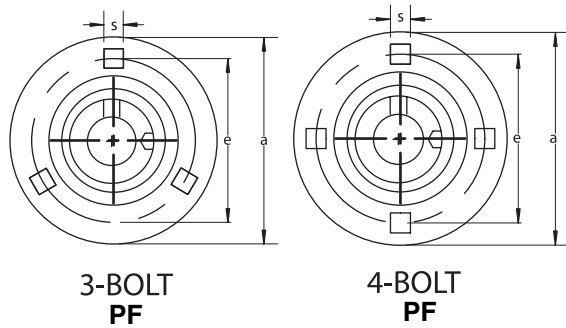


# STAMPED STEEL FLANGES

PFL TWO BOLT FLANGES  
 PF THREE & FOUR BOLT ROUND FLANGES  
 PFT THREE BOLT TRIANGULAR FLANGES



• Zinc-plated stamped steel

FLANGES

PFL TWO BOLT STAMPED FLANGES

Unit No.	Dimensions			
	a	b	e	s
PFL203	3-3/16	2-5/16	2-1/2	9/32
PFL204	3-9/16	2-5/8	2-13/16	11/32
PFL205	3-3/4	2-51/64	3	11/32
PFL206	4-7/16	3-5/16	3-9/16	13/32

PFT THREE BOLT TRIANGULAR FLANGES

Unit No.	Dimensions			
	a	e	h	s
PFT203	3-3/16	2-1/2	1-1/8	9/32
PFT204	3-9/16	2-13/16	1-5/16	11/32
PFT205	3-3/4	3	1-3/8	11/32
PFT206	4-7/16	3-9/16	1-1/2	13/32
PFT207	4-13/16	3-15/16	1-3/4	13/32

PF FOUR BOLT ROUND FLANGES

Unit No.	Dimensions		
	a	e	s
PF208	5-13/16	4-11/16	17/32
PF209	5-7/8	4-3/4	17/32
PF210	6-1/8	5	17/32

PF THREE BOLT ROUND FLANGES

Unit No.	Dimensions		
	a	e	s
PF203	3-3/16	2-1/2	9/32
PF204	3-9/16	2-13/16	11/32
PF205	3-3/4	3	11/32
PF206	4-7/16	3-9/16	13/32
PF207	4-13/16	3-15/16	13/32

