

TRITAN

PRECISION SPROCKETS

YOUR LINK TO QUALITY.

TRITAN

PRECISION SPROCKETS



TRITAN FYI

SPROCKETS

ABBREVIATIONS

A	PLATE TYPE SPROCKET
B	HUB TYPE SPROCKET
BS	BORED TO SIZE - HUB TYPE
BBS	METRIC FINISHED BORE
C	HUB TYPE SPROCKET
D	DOUBLE
DS	DOUBLE SINGLE
H	HARDENED
MM	METRIC
MPB	MINIMUM PLAIN BORE
SS	STAINLESS

TRITAN SPROCKETS INCH SERIES STD. KEYWAYS AND SET SCREWS

BORE (INCHES)	KEYWAY WIDTH (INCHES)	SET SCREW (INCHES)
1/2" - 9/16"	1/8"	10-24
5/8" - 7/8"	3/16"	1/4"
15/16" - 1 1/4"	1/4"	5/16"
1 5/16" - 1 3/8"	5/16"	5/16"
1 7/16" - 1 3/4"	3/8"	3/8"
1 13/16" - 2 1/4"	1/2"	1/2"
2 5/16" - 2 3/4"	5/8"	5/8"
2 13/16" - 3 1/4"	3/4"	5/8"
3 15/16" - 3 3/4"	7/8"	3/4"
3 13/16" - 4 1/2"	1"	3/4"
4 9/16" - 5 1/2"	1 1/4"	3/4"
5 9/16" - 6 1/2"	1 1/2"	3/4"
6 9/16" - 7 1/2"	1 3/4"	1"
7 9/16" - 8 15/16"	2"	1"
9 - 10 15/16"	2 1/2"	1"

TRITAN SPROCKETS METRIC SERIES KEYWAYS AND SET SCREWS

BORE (MM)	KEYWAY (MM)	SET SCREW (MM)
5-8	2	m4
9-10	3	m4
11-12	4	m4
13-17	5	m5
18-22	6	m6
23-30	8	m8
31-38	10	m10
39-44	12	m10
45-50	14	m10
51-58	16	m10
59-65	18	m10
66-75	20	m10
76-85	22	m10
86-95	25	m10
96-110	28	m10
111-130	32	m10

BORE TOLERANCES

1" & UNDER	- 0 / + .001"
OVER 1" TO 2"	- 0 / + .002"
OVER 2" TO 3"	- 0 / + .003"
OVER 3" TO 4"	- 0 / + .004"
OVER 4"	- 0 / + .005"

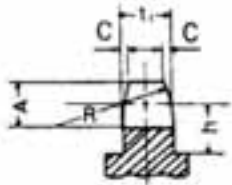
YOUR LINK TO QUALITY.

TRITAN

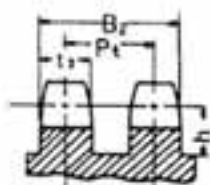
PRECISION SPROCKETS

YOUR LINK TO QUALITY.

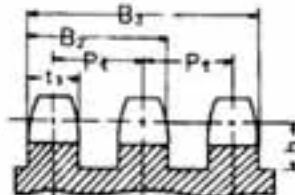
WHEEL-RIM PROFILES & DATA OF SPROCKETS



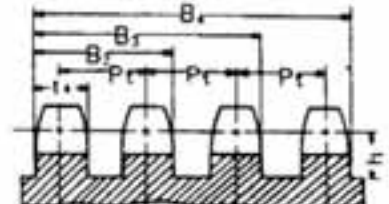
SINGLE



DOUBLE



TRIPLE



QUADRUPLE

Standard Series Rollerchain Sprockets

(Dimension, in)

Sprocket No	Pitch P	Roller Dia D	h	Height Of Chamfer A	Width Of Chamfer C	Radius Of Chamfer R	Trans Verse Pitch Of Strands Pt	Single		Double Triple		Quadruple			MINUS TOLERANCE ON 1" & 8" MANUFACTURED	MINUS TOLERANCE ON T ₂	
								Teeth Thick - Ness t ₁	Teeth Thick - Ness t _{2/3}	Teeth Width		Teeth Thick - Ness t ₄	Teeth Width				
										B ₂	B ₃		B ₂	B ₃			B ₄
25	1/4	0.130	0.157	0.126	0.031	0.268	0.252	0.110	0.107	0.359	0.611	0.096	0.348	0.600	0.852	0.007	0.021
35	3/8	0.200	0.197	0.189	0.047	0.402	0.399	0.168	0.162	0.561	0.960	0.149	0.548	0.947	1.346	0.008	0.027
41	1/2	0.306	0.276	0.252	0.063	0.531	—	0.227	—	—	—	—	—	—	—	0.009	0.032
40	1/2	0.312	0.276	0.252	0.063	0.531	0.566	0.284	0.275	0.841	1.407	0.256	0.822	1.388	1.954	0.009	0.035
50	5/8	0.400	0.406	0.311	0.079	0.665	0.713	0.343	0.332	1.045	1.758	0.311	1.024	1.737	2.450	0.010	0.036
60	3/4	0.469	0.465	0.374	0.094	0.799	0.897	0.459	0.444	1.341	2.238	0.418	1.315	2.212	3.108	0.011	0.036
80	1	0.625	0.610	0.5	0.126	1.063	1.153	0.575	0.557	1.710	2.863	0.526	1.679	2.832	3.985	0.012	0.040
100	1 1/4	0.750	0.756	0.626	0.157	1.331	1.408	0.692	0.669	2.077	3.484	0.633	2.041	3.449	4.857	0.014	0.046
120	1 1/2	0.875	0.906	0.752	0.189	1.594	1.789	0.924	0.894	2.683	4.472	0.848	2.637	4.426	6.215	0.016	0.057
140	1 3/4	1.000	1.063	0.874	0.220	1.858	1.924	0.924	0.894	2.818	4.742	0.848	2.772	4.696	6.620	0.016	0.057
160	2	1.125	1.244	1	0.252	2.126	2.305	1.156	1.119	3.424	5.729	1.063	3.368	5.673	7.978	0.019	0.062
180	2 1/4	1.406	1.449	1.122	0.283	2.402	2.592	1.301	1.259	3.851	6.443	1.197	3.789	6.381	8.973	0.020	0.068
200	2 1/2	1.562	1.559	1.252	0.311	2.658	2.817	1.389	1.344	4.161	6.978	1.278	4.095	6.912	9.729	0.021	0.072
240	3	1.875	1.909	1.5	0.374	3.189	3.458	1.738	1.682	5.140	8.598	1.601	5.059	8.517	11.975	0.025	0.087

Heavy Load Series Chain Sprockets

60H	3/4	0.469	0.465	0.374	0.094	0.799	1.028	0.459	0.444	1.472	2.500	0.418	1.446	2.474	3.502	0.011	0.036
80H	1	0.625	0.610	0.5	0.126	1.063	1.283	0.575	0.557	1.840	3.123	0.526	1.809	3.092	4.375	0.012	0.040
100H	1 1/4	0.750	0.756	0.626	0.157	1.331	1.539	0.692	0.669	2.208	3.747	0.633	2.172	3.711	5.250	0.014	0.046
120H	1 1/2	0.875	0.906	0.752	0.189	1.594	1.924	0.924	0.894	2.818	4.742	0.848	2.772	4.696	6.620	0.016	0.057
140H	1 3/4	1.000	1.063	0.874	0.220	1.858	2.055	0.924	0.894	2.949	5.004	0.848	2.903	4.958	7.013	0.016	0.057
160H	2	1.125	1.244	1	0.252	2.126	2.436	1.156	1.119	3.555	5.991	1.063	3.499	5.935	8.371	0.019	0.062
180H	2 1/4	1.406	1.449	1.122	0.283	2.402	2.723	1.301	1.259	3.982	6.705	1.197	3.920	6.643	9.366	0.020	0.068
200H	2 1/2	1.562	1.559	1.252	0.311	2.658	3.083	1.389	1.344	4.427	7.510	1.278	4.361	7.444	10.527	0.021	0.072

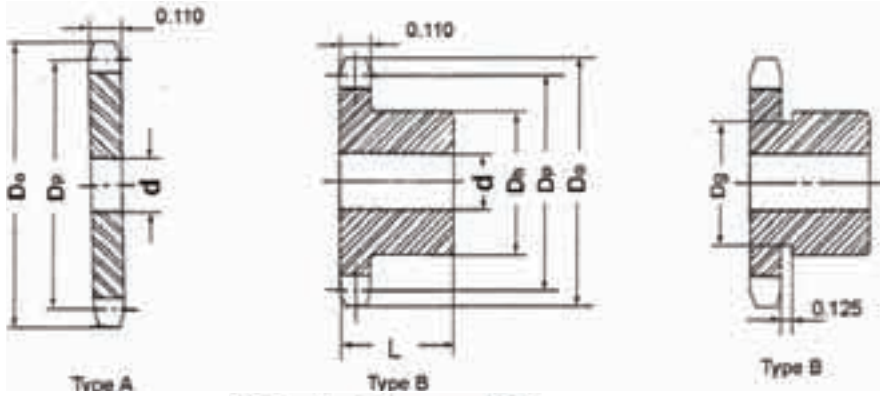
NOTE: 1. H refers to the min distance from pitch circle to hub (or bottom of groove).

2. Teeth thickness of sprocket over quadruple is same as teeth thickness t₄ of quadruple sprocket, teeth B_n = (n-1)P_t + t₄ (n ≥ 4)

3. T₁₈₀ is thickness of single not rolled steel plate.

NO 25 STOCK SPROCKETS 1/4"

BORED TO SIZE



Sprockets shown in shaded areas are supplied standard with Hardened Teeth.

Sprockets with 8-13 teeth have a recessed groove in hub for chain clearance. Refer to tables for type B on page 39 for hub and recess dimensions.

Unless indicated, all sprockets shown accommodate a standard keyway with a setscrew over the keyway and a second setscrew at 90 degrees. Larger bores are possible with no keyway, shallow keyway, or setscrews at an angle to the keyway.

+Indicates NO keyway. Two setscrews only at 90 degrees.

Single-Type BS

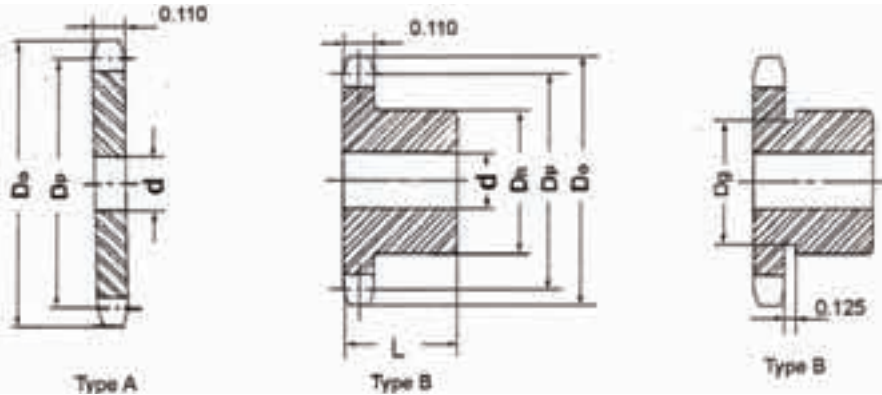
No Of Teeth	Pitch Dia Dp	Outside Dia Do	A Type A			B Type B				BW Type BW		Material
			Catalog Num.	Bore d	Wt(App) (lbs)	Bore d		D		Wt(App) (lbs)		
						Min	Max	Do	L			
-9	0.731	0.837	25A9	1/4	0.01	25B9	1/4	1/4	1/16	1/2	0.03	
-10	0.809	0.919	25A10	1/4	0.02	25B10	1/4	1/4	1/8	1/2	0.03	
+11	0.887	1.002	25A11	1/4	0.02	25B11	1/4	5/16	9/16	1/2	0.04	
+12	0.966	1.083	25A12	1/4	0.02	25B12	1/4	3/8	5/8	1/2	0.06	
+13	1.044	1.167	25A13	1/4	0.02	25B13	1/4	7/16	11/16	1/2	0.07	
14	1.124	1.246	25A14	1/4	0.03	25B14	1/4	9/16	1/2	1/2	0.08	
15	1.202	1.326	25A15	1/4	0.03	25B15	1/4	5/8	17/16	1/2	0.10	
16	1.281	1.407	25A16	1/4	0.04	25B16	1/4	9/16	21/16	1/2	0.12	
17	1.361	1.487	25A17	1/4	0.04	25B17	1/4	5/8	11/8	1/2	0.14	
18	1.440	1.568	25A18	1/4	0.05	25B18	1/4	3/4	7/8	1/2	0.16	
19	1.519	1.648	25A19	1/4	0.05	25B19	1/4	13/16	7/4	1/2	0.19	
20	1.598	1.729	25A20	1/4	0.06	25B20	1/4	7/8	7/4	3/8	0.25	
21	1.678	1.809	25A21	3/8	0.06	25B21	3/8	1/2	1/2	3/8	0.28	
22	1.757	1.889	25A22	3/8	0.07	25B22	3/8	15/16	7/4	3/8	0.31	
23	1.836	1.969	25A23	3/8	0.07	25B23	3/4	1	7/4	3/8	0.32	
24	1.915	2.049	25A24	3/8	0.08	25B24	3/8	1	7/4	3/8	0.33	
25	1.994	2.129	25A25	3/8	0.09	25B25	3/8	1	7/4	3/8	0.34	
26	2.074	2.209	25A26	3/8	0.10	25B26	3/8	1	7/4	3/8	0.35	
27	2.154	2.289	25A27	3/8	0.11	25B27	3/8	1	7/4	3/8	0.35	
28	2.233	2.369	25A28	3/8	0.12	25B28	3/8	1	7/4	3/8	0.36	
29	2.312	2.441	25A29	3/8	0.13	25B29	3/8	1	7/4	3/8	0.37	
30	2.392	2.529	25A30	3/8	0.14	25B30	3/8	1	7/4	3/8	0.38	
31	2.471	2.598	25A31	3/8	0.15	25B31	3/8	1	7/4	3/8	0.39	
32	2.550	2.688	25A32	3/8	0.15	25B32	3/8	1	7/4	3/8	0.40	
33	2.630	2.756	25A33	3/8	0.17	25B33	3/8	1	7/4	3/8	0.41	
34	2.709	2.835	25A34	3/8	0.17	25B34	3/8	1	7/4	3/8	0.42	
35	2.789	2.913	25A35	3/8	0.19	25B35	3/8	1	7/4	3/8	0.44	
36	2.869	3.008	25A36	3/8	0.20	25B36	3/8	1	7/4	3/8	0.46	
37	2.948	3.071	25A37	1/2	0.21	25B37	1/2	1 1/8	2	3/4	0.48	
38	3.028	3.150	25A38	1/2	0.22	25B38	1/2	1 1/8	2	3/4	0.50	
39	3.107	3.228	25A39	1/2	0.23	25B39	1/2	1 1/8	2	3/4	0.52	
40	3.186	3.327	25A40	1/2	0.24	25B40	1/2	1 1/8	2	3/4	0.54	
41	3.266	3.425	25A41	1/2	0.26	25B41	1/2	1 1/8	2	3/4	0.56	
42	3.345	3.504	25A42	1/2	0.26	25B42	1/2	1 1/8	2	3/4	0.58	
43	3.425	3.583	25A43	1/2	0.27	25B43	1/2	1 1/8	2	3/4	0.61	
44	3.504	3.661	25A44	1/2	0.28	25B44	1/2	1 1/8	2	3/4	0.64	
45	3.584	3.725	25A45	1/2	0.30	25B45	1/2	1 1/8	2	3/4	0.67	
46	3.663	3.819	25A46	1/2	0.32	25B46	1/2	1 1/8	2	3/4	0.71	
47	3.743	3.898	25A47	1/2	0.34	25B47	1/2	1 1/8	2	3/4	0.75	
48	3.822	3.964	25A48	1/2	0.35	25B48	1/2	1 1/8	2	3/4	0.78	
50	3.981	4.134	25A50	1/2	0.38	25B50	1/2	1 1/8	2	3/4	0.85	
54	4.300	4.442	25A54	1/2	0.45	25B54	1/2	1 1/8	2	3/4	1.00	
60	4.777	4.920	25A60	1/2	0.55	25B60	1/2	1 1/8	2	3/4	1.10	
65	5.174	5.315	25A65	1/2	0.65	25B65	1/2	1 1/8	2	3/4	1.17	
70	5.572	5.717	25A70	1/2	0.75	25B70	1/2	1 1/8	2	3/4	1.25	
72	5.732	5.876	25A72	1/2	0.80	25B72	1/2	1 1/8	2	3/4	1.30	
75	5.970	6.102	25A75	1/2	0.86	25B75	1/2	1 1/8	2	3/4	1.39	
80	6.368	6.495	25A80	1/2	0.98	25B80	1/2	1 1/8	2	3/4	1.54	

TRITAN

PRECISION SPROCKETS

YOUR LINK TO QUALITY.

NO 25 STOCK SPROCKETS 1/4" PITCH



Sprockets shown in shaded areas are supplied standard with Hardened Teeth.

*Has recessed groove in hub for chain clearance. Groove diameter Dg is indicated below:

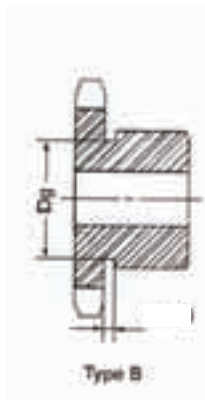
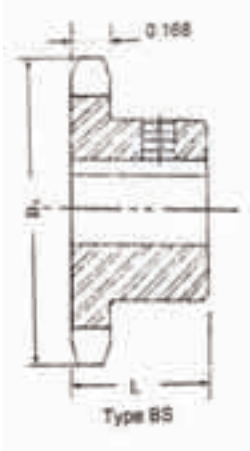
- 9 Teeth - 0.413"
- 10 Teeth - 0.492"
- 11 Teeth - 0.571"
- 12 Teeth - 0.650"
- 13 Teeth - 0.728"

Single-Type A&B

No Of Teeth	Pitch Dia Dp	Outside Dia Do	A Type A			B Type B				Material		
			Catalog Num.	Bore: d	Wt(App) (lbs)	Bore: d		Δ			Wt(App) (lbs)	
						Min	Max	Ch	L			
9	0.731	0.837	25A9	1/8	0.01	25B09	1/8	1/8	1/16	1/2	0.03	
10	0.809	0.919	25A10	1/8	0.02	25B10	1/8	1/8	1/16	1/2	0.03	
11	0.887	1.002	25A11	1/8	0.02	25B11	1/8	1/8	1/16	1/2	0.04	
12	0.966	1.083	25A12	1/8	0.02	25B12	1/8	1/8	1/16	1/2	0.05	
13	1.044	1.167	25A13	1/8	0.02	25B13	1/8	7/16	1/16	1/2	0.07	
14	1.124	1.246	25A14	1/8	0.03	25B14	1/8	1/2	1/16	1/2	0.08	
15	1.202	1.326	25A15	1/8	0.03	25B15	1/8	1/2	1/16	1/2	0.10	
16	1.281	1.407	25A16	1/8	0.04	25B16	1/8	1/2	1/16	1/2	0.12	
17	1.361	1.487	25A17	1/8	0.04	25B17	1/8	1/2	1/16	1/2	0.14	
18	1.440	1.568	25A18	1/8	0.05	25B18	1/8	1/2	1/16	1/2	0.16	
19	1.519	1.648	25A19	1/8	0.05	25B19	1/8	13/16	1/16	1/2	0.19	
20	1.598	1.729	25A20	1/8	0.06	25B20	1/8	7/8	1/16	1/2	0.25	
21	1.678	1.809	25A21	3/8	0.06	25B21	1/4	7/8	1/16	1/2	0.28	
22	1.757	1.889	25A22	3/8	0.07	25B22	1/4	15/16	1/16	1/2	0.31	
23	1.836	1.969	25A23	3/8	0.07	25B23	1/4	1	1/16	1/2	0.32	
24	1.915	2.049	25A24	3/8	0.08	25B24	1/4	1	1/16	1/2	0.33	
25	1.994	2.129	25A25	3/8	0.09	25B25	3/8	1	1/16	1/2	0.34	
26	2.074	2.209	25A26	3/8	0.10	25B26	3/8	1	1/16	1/2	0.35	
27	2.154	2.289	25A27	3/8	0.11	25B27	3/8	1	1/16	1/2	0.35	
28	2.233	2.369	25A28	3/8	0.12	25B28	3/8	1	1/16	1/2	0.36	
29	2.312	2.441	25A29	3/8	0.13	25B29	3/8	1	1/16	1/2	0.37	
30	2.392	2.529	25A30	3/8	0.14	25B30	3/8	1	1/16	1/2	0.38	
31	2.471	2.598	25A31	3/8	0.15	25B31	3/8	1	1/16	1/2	0.39	
32	2.550	2.688	25A32	3/8	0.15	25B32	3/8	1	1/16	1/2	0.40	
33	2.630	2.756	25A33	3/8	0.17	25B33	3/8	1	1/16	1/2	0.41	
34	2.709	2.835	25A34	3/8	0.17	25B34	3/8	1	1/16	1/2	0.42	
35	2.789	2.913	25A35	3/8	0.19	25B35	3/8	1	1/16	1/2	0.44	
36	2.869	3.008	25A36	3/8	0.20	25B36	3/8	1	1/16	3/4	0.46	
37	2.948	3.071	25A37	1/2	0.21	25B37	1/2	1 1/8	2	3/4	0.48	
38	3.028	3.150	25A38	1/2	0.22	25B38	1/2	1 1/8	2	3/4	0.50	
39	3.107	3.228	25A39	1/2	0.23	25B39	1/2	1 1/8	2	3/4	0.52	
40	3.186	3.327	25A40	1/2	0.24	25B40	1/2	1 1/8	2	3/4	0.54	
41	3.266	3.425	25A41	1/2	0.26	25B41	1/2	1 1/8	2	3/4	0.56	
42	3.345	3.504	25A42	1/2	0.26	25B42	1/2	1 1/8	2	3/4	0.58	
43	3.425	3.583	25A43	1/2	0.27	25B43	1/2	1 1/8	2	3/4	0.61	
44	3.504	3.661	25A44	1/2	0.28	25B44	1/2	1 1/8	2	3/4	0.64	
45	3.584	3.725	25A45	1/2	0.30	25B45	1/2	1 1/8	2	3/4	0.67	
46	3.663	3.819	25A46	1/2	0.32	25B46	1/2	1 1/8	2	3/4	0.71	
47	3.743	3.898	25A47	1/2	0.34	25B47	1/2	1 1/8	2	3/4	0.75	
48	3.822	3.964	25A48	1/2	0.35	25B48	1/2	1 1/8	2	3/4	0.78	
50	3.981	4.134	25A50	1/2	0.38	25B50	1/2	1 1/8	2	3/4	0.85	
54	4.300	4.442	25A54	1/2	0.45	25B54	1/2	1 1/8	2	3/4	1.00	
60	4.777	4.920	25A60	1/2	0.55	25B60	1/2	1 1/8	2	3/4	1.10	
65	5.174	5.315	25A65	1/2	0.65	25B65	1/2	1 1/8	2	3/4	1.17	
70	5.572	5.717	25A70	1/2	0.75	25B70	1/2	1 1/8	2	3/4	1.25	
72	5.732	5.876	25A72	1/2	0.80	25B72	1/2	1 1/8	2	3/4	1.30	
75	5.970	6.102	25A75	1/2	0.86	25B75	1/2	1 1/8	2	3/4	1.39	
80	6.368	6.496	25A80	1/2	0.98	25B80	1/2	1 1/8	2	3/4	1.54	

NO 35 STOCK SPROCKETS 3/8" PITCH

BORED TO SIZE



Sprockets shown in shaded areas are supplied standard with Hardened Teeth.

Sprockets with 8-13 teeth have a recessed groove in hub for chain clearance. Refer to tables for type B on page 41 for hub and recess dimensions.

Unless indicated, all sprockets shown accommodate a standard keyway with a setscrew over the keyway and a second setscrew at 90 degrees.

Larger bores are possible with no keyway, shallow keyway, or setscrews at an angle to the keyway.

+Indicates NO keyway. Two setscrews only at 90 degrees.

Single-Type BS

(Dimension, in)

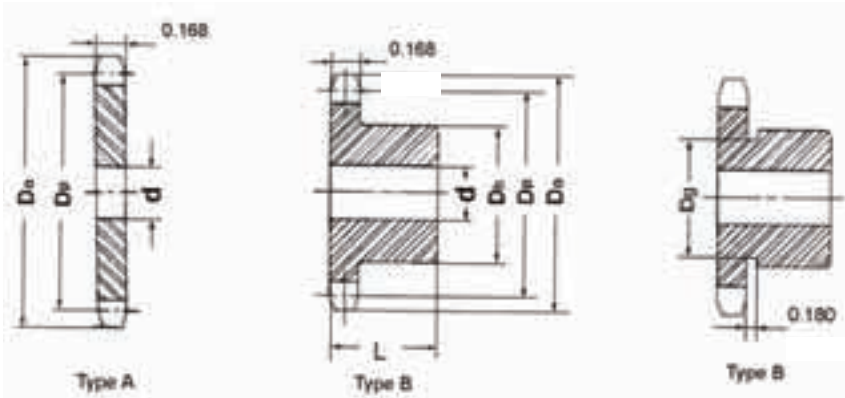
NO Teeth	Catalog Num.	Outside Diameter Do	Length Thru L	Wt (App) (lbs)	Stock Finished Bores (Includes Keyway and Setscrew)								
+ 9	35BS9	1.260	1.4	0.10	+1.8								
+10	35BS10	1.380	1.4	0.11	+2.8	+1.2	+2.2						
+11	35BS11	1.500	1.4	0.15	+3.8	+1.2	+3.4	+2.4					
+12	35BS12	1.630	1.4	0.18	+4.2	1.8	3.4						
13	35BS13	1.750	1.4	0.20	+5.2	1.8	3.4						
14	35BS14	1.870	1.4	0.22	1.8	1.8	3.4						
15	35BS15	1.990	1.4	0.24	1.2	1.8	1.4	1.4	1				
16	35BS16	2.110	1.8	0.29	1.2	1.8	1.4	1.4	1				
17	35BS17	2.230	1.8	0.36	1.8	1.8	1.4	1.4	1				
18	35BS18	2.350	1.4	0.39	1.2	1.4	1.4	1.4	1				
19	35BS19	2.470	1.4	0.44	1.8	1.4	1.4		1				
20	35BS20	2.590	1.4	0.51	1.2	1.4	1.4		1				
21	35BS21	2.710	1.8	0.75	1.8	1.4	1.4		1				
22	35BS22	2.830	1.8	0.78	1.2	1.4	1.4		1				
23	35BS23	2.950	1.8	0.78	1.2	1.4	1.4		1				
24	35BS24	3.070	1.8	0.79	1.8	1.4	1.4		1				
25	35BS25	3.190	1.8	0.80	1.2	1.4	1.4		1				
26	35BS26	3.310	1.8	0.84	1.4	1.4	1.4	1	1.4	1.4	1.4		
27	35BS27	3.430	1.8	0.88	1.4	1.4	1.4	1	1.4	1.4	1.4		
28	35BS28	3.550	1.8	0.86	1.4	1.4	1.4	1	1.4	1.4	1.4		
30	35BS30	3.790	1.8	0.96	1.4	1.4	1.4	1	1.4	1.4	1.4		
32	35BS32	4.030	1.8	1.14	1.8	1.4	1.4	1	1.4	1.4	1.4		
35	35BS35	4.390	1	1.38	1.8	1.4	1.4	1	1.4	1.4	1.4		
36	35BS36	4.510	1	1.41	1.8	1.4	1.4	1	1.4	1.4	1.4		
40	35BS40	4.990	1	1.56	1.8	1.4	1.4	1	1.4	1.4	1.4		
42	35BS42	5.230	1	1.64	1.8	1.4	1.4	1	1.4	1.4	1.4		
45	35BS45	5.590	1	1.74	1.8	1.4	1.4	1	1.4	1.4	1.4		
48	35BS48	5.950	1	1.86	1.8	1.4	1.4	1	1.4	1.4	1.4		
54	35BS54	6.660	1	1.98	1.8	1.4	1.4	1	1.4	1.4	1.4		
60	35BS60	7.380	1	2.34		1.4	1.4	1	1.4	1.4	1.4		
70	35BS70	8.580	1	3.14		1.4	1.4	1	1.4	1.4	1.4		
72	35BS72	8.810	1	3.30		1.4	1.4	1	1.4	1.4	1.4		
80	35BS80	9.770	1	3.94		1.4	1.4	1	1.4	1.4	1.4		
84	35BS84	10.250	1	4.26		1.4	1.4	1	1.4	1.4	1.4		
96	35BS96	11.680	1	5.22		1.4	1.4	1	1.4	1.4	1.4		
112	35BS112	13.590	1	6.50		1.4	1.4	1	1.4	1.4	1.4		

TRITAN

PRECISION SPROCKETS

YOUR LINK TO QUALITY.

NO 35 STOCK SPROCKETS 3/8" PITCH



Sprockets shown in shaded areas are supplied standard with Hardened Teeth.

*Has recessed groove in hub for chain clearance. Groove diameter Dg is indicated below:

- 8 Teeth - 0.510"
- 9 Teeth - 0.635"
- 10 Teeth - 0.750"
- 11 Teeth - 0.890"
- 12 Teeth - 1.000"
- 13 Teeth - 1.125"

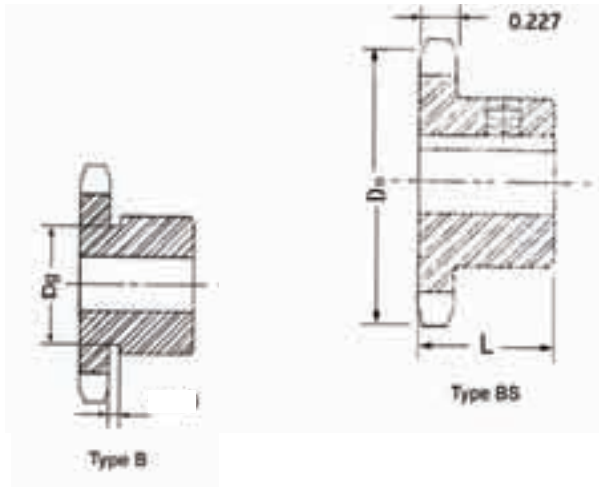
Single-Type A&B

(Dimension, in)

No. Of Teeth	Pitch Dia Dp	Outside Dia Do	A Type A			B Type B				SW Type SW	
			Catalog Num.	Bore ID	Wt./App. (lbs)	Bore ID		Dg	L	Wt./App. (lbs)	
						Min	Max				
8	0.980	1.130	35A8	1.8	0.04	35B8	1.8	1.8	1.4	1.4	0.07
9	1.096	1.260	35A9	1.8	0.04	35B9	1.8	1.8	1.7	1.4	0.09
10	1.214	1.380	35A10	1.8	0.05	35B10	1.8	1.8	1.9	1.4	0.14
11	1.331	1.500	35A11	1.8	0.06	35B11	1.8	1.8	2.1	1.4	0.17
12	1.449	1.630	35A12	1.8	0.07	35B12	1.8	1.8	2.3	1.4	0.20
13	1.567	1.750	35A13	1.8	0.08	35B13	1.8	1.8	2.5	1.4	0.23
14	1.685	1.870	35A14	1.8	0.08	35B14	1.8	1.8	2.7	1.4	0.25
15	1.804	1.990	35A15	1.8	0.10	35B15	1.8	1.8	2.9	1.4	0.29
16	1.922	2.110	35A16	1.8	0.12	35B16	1.8	1.8	3.1	1.4	0.35
17	2.041	2.230	35A17	1.8	0.12	35B17	1.8	1.8	3.3	1.4	0.42
18	2.159	2.350	35A18	1.8	0.14	35B18	1.8	1.8	3.5	1.4	0.48
19	2.278	2.470	35A19	1.8	0.16	35B19	1.8	1.8	3.7	1.4	0.54
20	2.397	2.590	35A20	1.8	0.20	35B20	1.8	1.8	3.9	1.4	0.59
21	2.516	2.710	35A21	1.8	0.20	35B21	1.8	1.8	4.1	1.4	0.80
22	2.635	2.830	35A22	1.8	0.22	35B22	1.8	1.8	4.3	1.4	0.80
23	2.754	2.950	35A23	1.8	0.24	35B23	1.8	1.8	4.5	1.4	0.82
24	2.873	3.070	35A24	1.8	0.26	35B24	1.8	1.8	4.7	1.4	0.88
25	2.992	3.190	35A25	1.8	0.28	35B25	1.8	1.8	4.9	1.4	0.88
26	3.111	3.310	35A26	1.8	0.28	35B26	1.8	1.8	5.1	1.4	0.90
27	3.230	3.430	35A27	1.8	0.34	35B27	1.8	1.8	5.3	1.4	0.94
28	3.349	3.550	35A28	1.8	0.39	35B28	1.8	1.8	5.5	1.4	0.94
29	3.468	3.670	35A29	1.8	0.42	35B29	1.8	1.8	5.7	1.4	0.98
30	3.588	3.790	35A30	1.8	0.45	35B30	1.8	1.8	5.9	1.4	1.02
31	3.707	3.910	35A31	1.8	0.48	35B31	1.8	1.8	6.1	1.4	1.06
32	3.826	4.030	35A32	1.8	0.51	35B32	1.8	1.8	6.3	1.4	1.10
33	3.945	4.150	35A33	1.8	0.54	35B33	1.8	1.8	6.5	1.4	1.29
34	4.064	4.270	35A34	1.8	0.57	35B34	1.8	1.8	6.7	1.4	1.32
35	4.183	4.390	35A35	1.8	0.60	35B35	1.8	1.8	6.9	1.4	1.36
36	4.303	4.510	35A36	1.8	0.62	35B36	1.8	1.8	7.1	1.4	1.40
37	4.422	4.630	35A37	1.8	0.64	35B37	1.8	1.8	7.3	1.4	1.48
38	4.541	4.750	35A38	1.8	0.66	35B38	1.8	1.8	7.5	1.4	1.52
39	4.660	4.870	35A39	1.8	0.68	35B39	1.8	1.8	7.7	1.4	1.57
40	4.780	4.990	35A40	1.8	0.70	35B40	1.8	1.8	7.9	1.4	1.62
42	5.018	5.230	35A42	1.8	0.78	35B42	1.8	1.8	8.3	1.4	1.68
45	5.378	5.590	35A45	1.8	0.88	35B45	1.8	1.8	8.7	1.4	1.78
48	5.734	5.950	35A48	1.8	1.21	35B48	1.8	1.8	9.1	1.4	1.88
50	5.972	6.190	35A50	1.8	1.23	35B50	1.8	1.8	9.3	1.4	1.98
54	6.449	6.660	35A54	1.8	1.32	35B54	1.8	1.8	9.7	1.4	2.20
60	7.165	7.380	35A60	1.8	1.66	35B60	1.8	1.8	10.1	1.4	2.48
65	7.762	7.980	35A65	1.8	1.96	35B65	1.8	1.8	10.5	1.4	2.78
70	8.358	8.580	35A70	1.8	2.30	35B70	1.8	1.8	10.9	1.4	3.12
72	8.597	8.810	35A72	1.8	2.56	35B72	1.8	1.8	11.1	1.4	3.42
80	9.552	9.770	35A80	1.8	3.16	35B80	1.8	1.8	11.5	1.4	3.82
84	10.029	10.250	35A84	1.8	3.26	35B84	1.8	1.8	11.7	1.4	4.24
96	11.461	11.680	35A96	1.8	4.64	35B96	1.8	1.8	12.1	1.4	5.16
112	13.371	13.590	35A112	1.8	5.05	35B112	1.8	1.8	12.5	1.4	6.70

NO 41 STOCK SPROCKETS 1/2" PITCH

BORED TO SIZE



Sprockets shown in shaded areas are supplied standard with Hardened Teeth.

Sprockets with 9-12 teeth have a recessed groove in hub for chain clearance. Refer to tables for type B on page 45 for hub and recess dimensions.

Unless indicated, all sprockets shown accommodate a standard keyway with a setscrew over the keyway and a second setscrew at 90 degrees. Larger bores are possible with no keyway, shallow keyway, or setscrews at an angle to the keyway.

+Indicates NO keyway. Two setscrews only at 90 degrees.

Single-Type BS

(Dimension, in.)

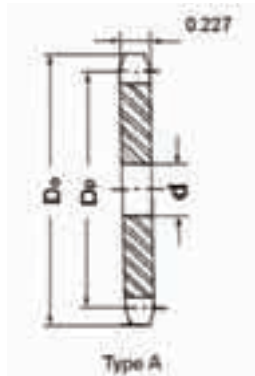
NO of Teeth	Catalog Num.	Outside Dia. Do	Length Thru L	Wt (App) (lbs)	Stock Finished Bores (Includes Keyway and Setscrew)							
					1/8	3/16	1/4	5/16	3/8	7/16	1/2	
9	41BS9	1.670	7/8	0.20	1/8	3/16						
10	41BS10	1.840	7/8	0.25	1/8	3/16						
11	41BS11	2.000	7/8	0.32	1/8	3/16	3/4					
12	41BS12	2.170	7/8	0.33	1/8	3/16	3/4	1/2				
13	41BS13	2.330	7/8	0.43	1/8	3/16	3/4	1/2	1			
14	41BS14	2.490	7/8	0.48	1/8	3/16	3/4	1/2	1			
15	41BS15	2.650	7/8	0.59	1/8	3/16	3/4	1/2	1			
16	41BS16	2.810	7/8	0.72	1/8	3/16	3/4	1/2	1			
17	41BS17	2.980	1	1.00	1/8	3/16	3/4	1/2	1			
18	41BS18	3.140	1	1.10	1/8	3/16	3/4	1/2	1			
19	41BS19	3.300	1	1.21	1/8	3/16	3/4	1/2	1			
20	41BS20	3.460	1	1.39	1/8	3/16	3/4	1/2	1			
21	41BS21	3.620	1	1.77	1/8	3/16	3/4	1/2	1			
22	41BS22	3.780	1	1.92	1/8	3/16	3/4	1/2	1			
23	41BS23	3.940	1	2.18	1/8	3/16	3/4	1/2	1			
24	41BS24	4.100	1	2.24	1/8	3/16	3/4	1/2	1			
25	41BS25	4.260	1	2.42	1/8	3/16	3/4	1/2	1			
26	41BS26	4.420	1	2.46	1/8	3/16	3/4	1/2	1			
27	41BS27	4.580	1	2.52	1/8	3/16	3/4	1/2	1			
28	41BS28	4.740	1	2.60	1/8	3/16	3/4	1/2	1			
30	41BS30	5.060	1	2.76	1/8	3/16	3/4	1/2	1			
32	41BS32	5.380	1	2.92	1/8	3/16	3/4	1/2	1			
35	41BS35	5.860	1	3.08	1/8	3/16	3/4	1/2	1			
36	41BS36	6.020	1	3.28	3/8	3/4	1					
40	41BS40	6.650	1 1/16	3.52	3/4	1		1 1/8	1 1/16	1 1/4	1 3/8	1 1/2
42	41BS42	6.970	1 1/16	3.68	3/4	1		1 1/8	1 1/16	1 1/4	1 3/8	1 1/2
45	41BS45	7.450	1 1/16	3.94	3/4	1		1 1/8	1 1/16	1 1/4	1 3/8	1 1/2
48	41BS48	7.930	1 1/16	4.68	3/4	1		1 1/8	1 1/16	1 1/4	1 3/8	1 1/2
54	41BS54	8.890	1 1/16	5.44	3/4	1		1 1/8	1 1/16	1 1/4	1 3/8	1 1/2
60	41BS60	9.840	1 1/16	6.54	3/4	1		1 1/8	1 1/16	1 1/4	1 3/8	1 1/2
70	41BS70	11.430	1 3/16	9.28	3/4	1		1 1/8	1 1/16	1 1/4	1 3/8	1 1/2
72	41BS72	11.750	1 3/16	9.38	3/4	1		1 1/8	1 1/16	1 1/4	1 3/8	1 1/2
80	41BS80	13.030	1 3/16	11.28	3/4	1		1 1/8	1 1/16	1 1/4	1 3/8	1 1/2
84	41BS84	13.660	1 3/16	11.94	3/4	1		1 1/8	1 1/16	1 1/4	1 3/8	1 1/2
96	41BS96	15.570	1 3/16	14.51	3/4	1		1 1/8	1 1/16	1 1/4	1 3/8	1 1/2
112	41BS112	18.120	1 3/16	18.81	3/4	1		1 1/8	1 1/16	1 1/4	1 3/8	1 1/2

TRITAN

PRECISION SPROCKETS

YOUR LINK TO QUALITY.

NO 41 STOCK SPROCKETS 1/2" PITCH



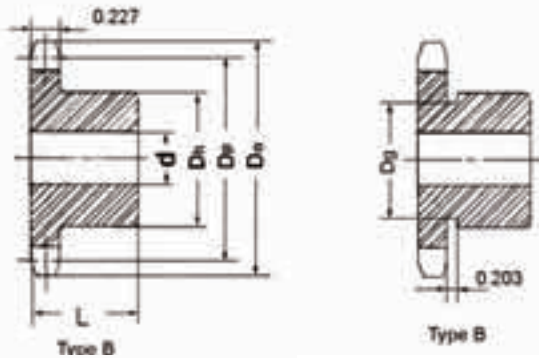
Sprockets shown in shaded areas are supplied standard with Hardened Teeth.

Single-Type A

(Dimension, in)

No Of Teeth	Catalog Num.	Pitch Dia Do	Outside Dia Do	A Type A		No Of Teeth	Catalog Num.	Pitch Dia Do	Outside Dia Do	A Type A	
				Bore d	Wt(App) (lbs)					Bore d	Wt(App) (lbs)
15	41A15	2.405	2.650	1.1	0.28	37	41A37	5.896	6.180	19.32	1.93
16	41A16	2.563	2.810	1.1	0.34	38	41A38	6.055	6.330	19.32	2.03
17	41A17	2.721	2.980	1.1	0.36	39	41A39	6.214	6.490	19.32	2.12
18	41A18	2.879	3.140	1.1	0.44	40	41A40	6.373	6.650	23.32	2.22
19	41A19	3.038	3.300	1.1	0.46	41	41A41	6.532	6.810	23.32	2.27
20	41A20	3.196	3.460	1.1	0.52	42	41A42	6.691	6.970	23.32	2.32
21	41A21	3.355	3.620	1.1	0.60	43	41A43	6.850	7.130	23.32	2.42
22	41A22	3.513	3.780	1.1	0.66	44	41A44	7.009	7.290	23.32	2.52
23	41A23	3.672	3.940	1.1	0.72	45	41A45	7.168	7.450	23.32	2.62
24	41A24	3.831	4.100	1.1	0.82	46	41A46	7.327	7.610	23.32	2.72
25	41A25	3.989	4.260	1.1	0.88	47	41A47	7.486	7.770	23.32	2.82
26	41A26	4.148	4.420	1.1	0.94	48	41A48	7.645	7.930	23.32	2.92
27	41A27	4.307	4.580	1.1	1.00	49	41A49	7.804	8.090	23.32	3.02
28	41A28	4.465	4.740	1.1	1.08	50	41A50	7.963	8.250	23.32	3.12
29	41A29	4.625	4.900	1.4	1.14	51	41A51	8.122	8.410	23.32	3.23
30	41A30	4.783	5.060	1.1	1.20	52	41A52	8.281	8.570	23.32	3.33
31	41A31	4.942	5.220	1.1	1.32	53	41A53	8.440	8.730	23.32	3.44
32	41A32	5.101	5.380	1.1	1.44	54	41A54	8.599	8.890	23.32	3.54
33	41A33	5.260	5.540	1.1	1.52	55	41A55	8.758	9.040	23.32	3.71
34	41A34	5.419	5.700	1.1	1.61	56	41A56	8.917	9.200	23.32	3.89
35	41A35	5.578	5.860	1.1	1.70	58	41A58	9.235	9.520	23.32	4.24
36	41A36	5.737	6.020	1.1	1.84	60	41A60	9.554	9.840	23.32	4.60
						65	41A65	10.349	10.630	23.32	5.40
						70	41A70	11.145	11.430	23.32	6.22
						72	41A72	11.463	11.750	23.32	6.32
						75	41A75	11.940	12.230	23.32	6.87
						80	41A80	12.736	13.030	23.32	8.46
						84	41A84	13.372	13.660	23.32	9.12
						90	41A90	14.327	14.620	19.32	10.46
						96	41A96	15.282	15.570	19.32	11.84
						112	41A112	17.827	18.120	19.32	15.84

NO 41 STOCK SPROCKETS 1/2" PITCH



Sprockets shown in shaded areas are supplied standard with Hardened Teeth.

*Has recessed groove in hub for chain clearance. Groove diameter Dg is indicated below:

- 6 Teeth - 0.450"
- 7 Teeth - 0.616"
- 8 Teeth - 0.776"
- 9 Teeth - 0.937"
- 10 Teeth - 1.076"
- 11 Teeth - 1.260"
- 12 Teeth - 1.433"

Single-Type B

(Dimension, in)

No Of Teeth	Catalog Num.	Pitch Dia Dp	Outside Dia Do	B					BW		No Of Teeth	Catalog Num.	Pitch Dia Dp	Outside Dia Do	B					BW	
				Bore d		HUB		Wt (App) (lbs)	Type B	Type BW					Bore d		HUB		Wt (App) (lbs)	Type B	Type BW
				Min	Max	Dh	L								Min	Max	Dh	L			
6	41B6	1.000	1.170	1.8	1.8	11.30"	7.8	0.07	37	41B37	5.896	6.180	1.8	2.1	3.1	1	3.48				
7	41B7	1.152	1.340	1.8	1.8	1.1"	7.8	0.10	38	41B38	6.055	6.330	1.8	2.1	3.1	1	3.67				
8	41B8	1.307	1.510	1.2	1.2	13.64"	7.8	0.19	39	41B39	6.214	6.490	1.8	2.1	3.1	1	3.87				
9	41B9	1.462	1.670	1.2	1.2	1.1"	7.8	0.20	40	41B40	6.373	6.650	1.8	2.1	3.1	1.1/16	4.06				
10	41B10	1.618	1.840	1.2	1.4	1.1"	7.8	0.27	41	41B41	6.532	6.810	1.8	2.1	3.1	1.1/16	4.08				
11	41B11	1.775	2.000	1.2	1.8	1.1"	7.8	0.35	42	41B42	6.691	6.970	1.8	2.1	3.1	1.1/16	4.10				
12	41B12	1.932	2.170	1.2	1.8	1.1"	7.8	0.44	43	41B43	6.850	7.130	1.8	2.1	3.1	1.1/16	4.12				
13	41B13	2.089	2.330	1.2	1	1.1"	7.8	0.50	44	41B44	7.009	7.290	1.8	2.1	3.1	1.1/16	4.15				
14	41B14	2.247	2.490	1.2	1.1	1.1"	7.8	0.57	45	41B45	7.168	7.450	1.8	2.1	3.1	1.1/16	4.18				
15	41B15	2.405	2.650	1.2	1.1	1.1"	7.8	0.72	46	41B46	7.327	7.610	1.8	2.1	3.1	1.1/16	4.42				
16	41B16	2.563	2.810	1.8	1.3	2.1"	7.8	0.91	47	41B47	7.486	7.770	1.8	2.1	3.1	1.1/16	4.66				
17	41B17	2.721	2.980	1.8	1.1	2.1"	1	1.09	48	41B48	7.645	7.930	1.8	2.1	3.1	1.1/16	4.92				
18	41B18	2.879	3.140	1.8	1.5	2.1"	1	1.25	49	41B49	7.804	8.090	1.8	2.1	3.1	1.1/16	5.04				
19	41B19	3.038	3.300	1.8	1.1	2.1"	1	1.49	50	41B50	7.963	8.250	1.8	2.1	3.1	1.1/16	5.16				
20	41B20	3.196	3.460	1.8	1.1	2.1"	1	1.64	51	41B51	8.122	8.410	1.8	2.1	3.1	1.1/16	5.30				
21	41B21	3.355	3.620	1.8	1.1	2.1"	1	1.81	52	41B52	8.281	8.570	1.8	2.1	3.1	1.1/16	5.42				
22	41B22	3.513	3.780	1.8	2	3	1	1.93	53	41B53	8.440	8.730	1.8	2.1	3.1	1.1/16	5.53				
23	41B23	3.672	3.940	1.8	2.1	3.1"	1	2.25	54	41B54	8.599	8.890	1.8	2.1	3.1	1.1/16	5.68				
24	41B24	3.831	4.100	1.8	2.1	3.1"	1	2.33	55	41B55	8.758	9.040	1.8	2.1	3.1	1.1/16	5.86				
25	41B25	3.989	4.260	1.8	2.1	3.1"	1	2.46	56	41B56	8.917	9.200	1.8	2.1	3.1	1.1/16	6.04				
26	41B26	4.148	4.420	1.8	2.1	3.1"	1	2.50	58	41B58	9.235	9.520	1.8	2.1	3.1	1.1/16	6.40				
27	41B27	4.307	4.580	1.8	2.1	3.1"	1	2.56	60	41B60	9.554	9.840	1.8	2.1	3.1	1.1/16	6.78				
28	41B28	4.465	4.740	1.8	2.1	3.1"	1	2.64	65	41B65	10.349	10.630	1.8	2.1	4	1.1/16	8.10				
29	41B29	4.625	4.900	1.8	2.1	3.1"	1	2.72	70	41B70	11.145	11.430	1.8	2.1	4	1.1/16	9.54				
30	41B30	4.783	5.060	1.8	2.1	3.1"	1	2.80	72	41B72	11.463	11.750	1.8	2.1	4	1.1/16	9.64				
31	41B31	4.942	5.220	1.8	2.1	3.1"	1	2.88	75	41B75	11.940	12.230	1.8	2.1	4	1.1/16	10.34				
32	41B32	5.101	5.380	1.8	2.1	3.1"	1	2.96	80	41B80	12.736	13.030	1.8	2.1	4	1.1/16	11.54				
33	41B33	5.260	5.540	1.8	2.1	3.1"	1	2.01	84	41B84	13.372	13.660	1.8	2.1	4	1.1/16	12.20				
34	41B34	5.419	5.700	1.8	2.1	3.1"	1	2.06	90	41B90	14.327	14.620	1	2.1	4	1.1/16	13.50				
35	41B35	5.578	5.860	1.8	2.1	3.1"	1	3.12	96	41B96	15.282	15.570	1	2.1	4	1.1/16	14.86				
36	41B36	5.737	6.020	1.8	2.1	3.1"	1	3.30	112	41B112	17.827	18.120	1	2.1	4	1.1/16	19.16				

TRITAN

PRECISION SPROCKETS

YOUR LINK TO QUALITY.

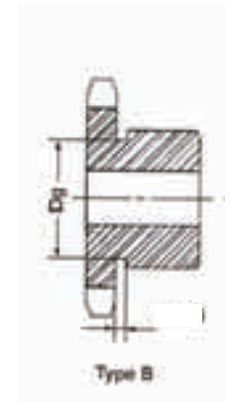
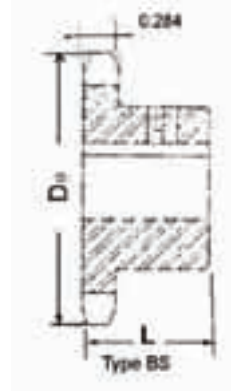
NO 40 STOCK SPROCKETS 1/2" PITCH

BORED TO SIZE

Single-Type BS

(Dimension, in)

No Teeth	Catalog Num.	Outside Dia Do	Length Thru L	Wt (App) (lbs)	Stock Finished Bores (Includes Keyway and Setscrew)																		
8	40BS8	1.500	7/8	0.15																			
9	40BS9	1.670	7/8	0.16																			
10	40BS10	1.840	7/8	0.24																			
11	40BS11	2.000	7/8	0.28																			
12	40BS12	2.170	7/8	0.34																			
13	40BS13	2.330	7/8	0.45																			
14	40BS14	2.490	7/8	0.51																			
15	40BS15	2.650	7/8	0.53																			
16	40BS16	2.810	1	0.66																			
17	40BS17	2.980	1	0.88																			
18	40BS18	3.140	1	1.03																			
19	40BS19	3.300	1	1.17																			
20	40BS20	3.460	1	1.33																			
21	40BS21	3.620	1	1.53																			
22	40BS22	3.780	1	1.66																			
23	40BS23	3.940	1	1.92																			
24	40BS24	4.100	1	2.10																			
25	40BS25	4.260	1	2.22																			
26	40BS26	4.420	1	2.34																			
27	40BS27	4.580	1	2.42																			
28	40BS28	4.740	1	2.50																			
29	40BS29	4.900	1	2.60																			
30	40BS30	5.060	1	2.70																			
31	40BS31	5.220	1	2.88																			
32	40BS32	5.380	1	3.00																			
33	40BS33	5.540	1	3.03																			
34	40BS34	5.700	1	3.11																			
35	40BS35	5.860	1	3.20																			
36	40BS36	6.020	1	3.39																			
37	40BS37	6.180	1	3.45																			
38	40BS38	6.330	1	3.50																			
39	40BS39	6.490	1	4.00																			
40	40BS40	6.650	1 1/8	4.28																			
41	40BS41	6.810	1 1/8	4.58																			
42	40BS42	6.970	1 1/8	4.64																			
43	40BS43	7.130	1 1/8	4.80																			
44	40BS44	7.290	1 1/8	4.96																			
45	40BS45	7.450	1 1/8	5.06																			
46	40BS46	7.610	1 1/8	5.19																			
47	40BS47	7.770	1 1/8	5.26																			
48	40BS48	7.930	1 1/8	5.66																			
49	40BS49	8.090	1 1/8	5.72																			
50	40BS50	8.250	1 1/8	5.78																			
51	40BS51	8.410	1 1/8	5.90																			
52	40BS52	8.570	1 1/8	5.94																			
53	40BS53	8.730	1 1/8	6.12																			
54	40BS54	8.890	1 1/8	6.24																			
55	40BS55	9.040	1 1/8	6.66																			
56	40BS56	9.200	1 1/8	6.71																			
57	40BS57	9.360	1 1/8	6.94																			
58	40BS58	9.520	1 1/8	7.17																			
59	40BS59	9.680	1 1/8	7.38																			
60	40BS60	9.840	1 1/8	7.68																			
65	40BS65	10.635	1 1/8	9.15																			
70	40BS70	11.430	1 1/4	10.80																			
72	40BS72	11.750	1 1/4	11.30																			
80	40BS80	13.030	1 1/4	13.20																			
84	40BS84	13.660	1 1/4	13.84																			
96	40BS96	15.570	1 1/4	17.44																			
112	40BS112	18.120	1 1/4	22.45																			



Sprockets shown in shaded areas are supplied standard with Hardened Teeth.

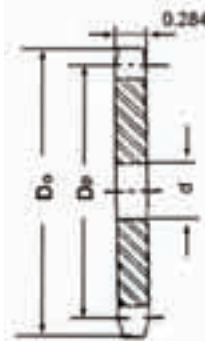
Sprockets with 8-12 teeth have a recessed groove in hub for chain clearance. Refer to tables for type B on page 48 for hub and recess dimensions.

Unless indicated, all sprockets shown accommodate a standard keyway with a setscrew over the keyway and a second setscrew at 90 degrees.

Larger bores are possible with no keyway, shallow keyway, or setscrews at an angle to the keyway.

+Indicates NO keyway. Two setscrews only at 90 degrees.

NO 40 STOCK SPROCKETS 1/2" PITCH



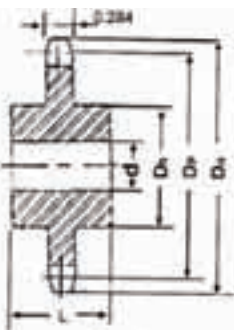
Sprockets shown in shaded areas are supplied standard with Hardened Teeth.

Single-Type A

Type A

(Dimension, in)

No Of Teeth	Catalog Num.	Pitch Dia Dp	Outside Dia Do	A Type A		No Of Teeth	Catalog Num.	Pitch Dia Dp	Outside Dia Do	A Type A		
				Bore, d	Wt (App) (lbs)					Bore, d	Wt (App) (lbs)	Material
8	40A8	1.307	1.500	11/32	0.07	38	40A38	6.054	6.330	18/32	2.00	
9	40A9	1.462	1.670	11/32	0.09	39	40A39	6.214	6.490	18/32	2.02	
10	40A10	1.618	1.840	1/2	0.11	40	40A40	6.373	6.650	18/32	2.22	
11	40A11	1.775	2.000	1/2	0.14	41	40A41	6.532	6.810	18/32	2.42	
12	40A12	1.932	2.170	1/2	0.48	42	40A42	6.691	6.970	18/32	2.50	
13	40A13	2.089	2.330	1/2	0.22	43	40A43	6.850	7.130	18/32	2.80	
14	40A14	2.247	2.490	1/2	0.26	44	40A44	7.009	7.290	18/32	2.85	
15	40A15	2.405	2.650	1/2	0.30	45	40A45	7.168	7.450	18/32	3.15	
16	40A16	2.563	2.810	1/2	0.34	46	40A46	7.327	7.610	18/32	3.26	
17	40A17	2.721	2.980	1/2	0.36	47	40A47	7.486	7.770	18/32	3.32	
18	40A18	2.879	3.140	1/2	0.44	48	40A48	7.645	7.930	18/32	3.42	
19	40A19	3.038	3.300	1/2	0.46	49	40A49	7.804	8.090	18/32	3.52	
20	40A20	3.196	3.460	1/2	0.56	50	40A50	7.963	8.250	18/32	3.62	
21	40A21	3.355	3.620	1/2	0.58	51	40A51	8.122	8.410	18/32	3.84	
22	40A22	3.513	3.780	1/2	0.66	52	40A52	8.281	8.570	18/32	4.08	
23	40A23	3.672	3.940	1/2	0.72	53	40A53	8.440	8.730	18/32	4.24	
24	40A24	3.831	4.100	1/2	0.82	54	40A54	8.599	8.890	18/32	4.44	
25	40A25	3.989	4.260	1/2	0.88	55	40A55	8.758	9.040	18/32	4.54	
26	40A26	4.148	4.420	1/2	0.94	56	40A56	8.917	9.200	18/32	4.84	
27	40A27	4.307	4.580	1/2	0.98	57	40A57	9.076	9.360	18/32	5.00	
28	40A28	4.466	4.740	1/2	1.10	58	40A58	9.236	9.520	18/32	5.12	
29	40A29	4.624	4.900	1/2	1.22	59	40A59	9.395	9.680	18/32	5.30	
30	40A30	4.783	5.060	18/32	1.26	60	40A60	9.554	9.840	18/32	5.48	
31	40A31	4.942	5.220	18/32	1.40	65	40A65	10.349	10.630	18/32	6.30	
32	40A32	5.101	5.380	18/32	1.48	70	40A70	11.145	11.430	18/32	7.24	
33	40A33	5.260	5.540	18/32	1.56	72	40A72	11.463	11.750	18/32	7.74	
34	40A34	5.412	5.700	18/32	1.64	80	40A80	12.736	13.030	18/32	9.30	
35	40A35	5.578	5.860	18/32	1.70	84	40A84	13.372	13.660	18/32	10.20	
36	40A36	5.737	6.020	18/32	1.84	96	40A96	15.281	15.570	18/16	12.15	
37	40A37	5.896	6.180	18/32	1.92	112	40A112	17.828	18.120	18/16	20.00	



Type C

Single-Type C

(Dimension, in)

No Of Teeth	Catalog Num.	Pitch Dia Dp	Outside Dia Do	C Type C					
				Bore, d		HUB		Wt (App) (lbs)	
				Min	Max	Dh	L		
12	40C12	1.932	2.170	1/2	1	1 1/8	1 1/2	0.75	*
13	40C13	2.089	2.330	1/2	1 1/16	1 1/4	1 1/2	0.94	*
14	40C14	2.247	2.490	1/2	1 1/8	1 1/2	1 1/2	0.91	
15	40C15	2.405	2.650	1/2	1 1/4	1 3/4	1 1/2	1.19	
16	40C16	2.563	2.810	1/2	1 3/8	2	1 1/2	1.34	
17	40C17	2.721	2.980	1/2	1 1/2	2 1/8	1 1/2	1.50	
18	40C18	2.879	3.140	1/2	1 1/2	2 1/4	1 1/2	1.80	

*Has recessed groove in hub for chain clearance. Refer to tables for type B on page for hub and recess dimensions.

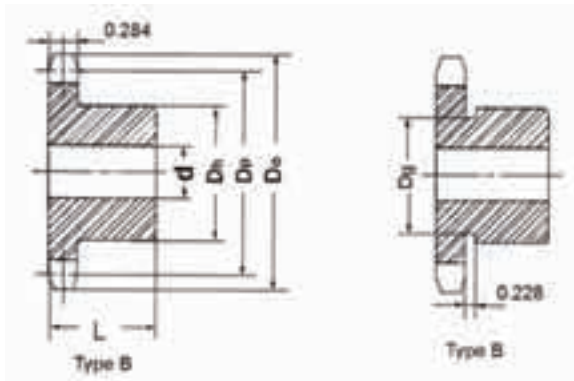
APPLIES TO THIS TABLE ONLY.

TRITAN

PRECISION SPROCKETS

YOUR LINK TO QUALITY.

NO 40 STOCK SPROCKETS 1/2" PITCH



Sprockets shown in shaded areas are supplied standard with Hardened Teeth.

*Has recessed groove in hub for chain clearance. Groove diameter Dg is indicated below:

- 8 Teeth - 0.683"
- 9 Teeth - 0.850"
- 10 Teeth - 1.015"
- 11 Teeth - 1.179"
- 12 Teeth - 1.342"

Single-Type B

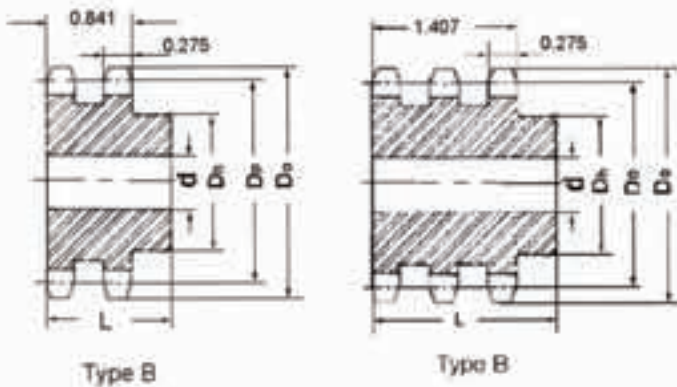
Type B

Type B

(Dimension in)

No Of Teeth	Catalog Num.	Pitch Dia Dp	Outside Dia Dc	Type B					Wt(App) (lbs)	No Of Teeth	Catalog Num.	Pitch Dia Dp	Outside Dia Dc	Type B				
				Screw		HUB		L						Screw		HUB		L
				Min	Max	Dg	L							Min	Max	Dg	L	
8	40B8	1.307	1.500	1/2	1/2	1/2	1/2	0.18	38	40B38	6.054	6.330	3/4	2 1/4	3 1/4	1	3.70	
9	40B9	1.462	1.670	1/2	3/8	1 1/8	1/2	0.20	39	40B39	6.214	6.490	3/4	2 1/4	3 1/4	1	3.76	
10	40B10	1.618	1.840	1/2	3/4	1 1/2	1/2	0.27	40	40B40	6.373	6.650	3/4	2 3/8	3 1/2	1 1/8	4.69	
11	40B11	1.775	2.000	1/2	1/2	1 3/4	1/2	0.35	41	40B41	6.532	6.810	3/4	2 3/8	3 1/2	1 1/8	4.76	
12	40B12	1.932	2.170	1/2	1	1 7/8	1/2	0.45	42	40B42	6.691	6.970	3/4	2 3/8	3 1/2	1 1/8	4.82	
13	40B13	2.089	2.330	1/2	1 1/16	1 7/8	1/2	0.50	43	40B43	6.850	7.130	3/4	2 3/8	3 1/2	1 1/8	5.12	
14	40B14	2.247	2.490	1/2	1 1/8	1 7/8	1/2	0.59	44	40B44	7.009	7.290	3/4	2 3/8	3 1/2	1 1/8	5.15	
15	40B15	2.405	2.650	1/2	1 1/4	1 7/8	1/2	0.70	45	40B45	7.168	7.450	3/4	2 3/8	3 1/2	1 1/8	5.30	
16	40B16	2.563	2.810	3/4	1 3/8	2	1/2	0.79	46	40B46	7.327	7.610	3/4	2 3/8	3 1/2	1 1/8	5.44	
17	40B17	2.721	2.980	3/4	1 7/16	2 1/8	1	1.04	47	40B47	7.486	7.770	3/4	2 3/8	3 1/2	1 1/8	5.59	
18	40B18	2.879	3.140	3/4	1 7/8	2 1/8	1	1.22	48	40B48	7.645	7.930	3/4	2 3/8	3 1/2	1 1/8	5.74	
19	40B19	3.038	3.300	3/4	1 7/8	2 1/8	1	1.43	49	40B49	7.804	8.090	3/4	2 3/8	3 1/2	1 1/8	5.90	
20	40B20	3.196	3.460	3/4	1 7/8	2 1/8	1	1.56	50	40B50	7.963	8.250	3/4	2 3/8	3 1/2	1 1/8	5.96	
21	40B21	3.355	3.620	3/4	1 7/8	2 1/8	1	1.73	51	40B51	8.122	8.410	3/4	2 3/8	3 1/2	1 1/8	6.08	
22	40B22	3.513	3.780	3/4	1 7/8	2 1/8	1	1.96	52	40B52	8.281	8.570	3/4	2 3/8	3 1/2	1 1/8	6.28	
23	40B23	3.672	3.940	3/4	2	3	1	2.13	53	40B53	8.440	8.730	3/4	2 3/8	3 1/2	1 1/8	6.33	
24	40B24	3.831	4.100	3/4	2 1/8	3 1/8	1	2.41	54	40B54	8.599	8.890	3/4	2 3/8	3 1/2	1 1/8	6.42	
25	40B25	3.989	4.260	3/4	2 1/8	3 1/8	1	2.54	55	40B55	8.758	9.040	3/4	2 3/8	3 1/2	1 1/8	6.56	
26	40B26	4.148	4.420	3/4	2 1/8	3 1/8	1	2.58	56	40B56	8.917	9.200	3/4	2 3/8	3 1/2	1 1/8	6.89	
27	40B27	4.307	4.580	3/4	2 1/8	3 1/8	1	2.66	57	40B57	9.076	9.360	3/4	2 3/8	3 1/2	1 1/8	7.02	
28	40B28	4.466	4.740	3/4	2 1/8	3 1/8	1	2.73	58	40B58	9.236	9.520	3/4	2 3/8	3 1/2	1 1/8	7.36	
29	40B29	4.624	4.900	3/4	2 1/8	3 1/8	1	2.80	59	40B59	9.395	9.680	3/4	2 3/8	3 1/2	1 1/8	7.45	
30	40B30	4.783	5.060	3/4	2 1/8	3 1/8	1	2.98	60	40B60	9.554	9.840	3/4	2 3/8	3 1/2	1 1/8	7.86	
31	40B31	4.942	5.220	3/4	2 1/8	3 1/8	1	3.10	65	40B65	10.349	10.630	3/4	2 3/8	4	1 1/8	9.40	
32	40B32	5.101	5.380	3/4	2 1/8	3 1/8	1	3.16	70	40B70	11.145	11.430	3/4	2 3/8	4	1 1/8	11.00	
33	40B33	5.260	5.540	3/4	2 1/8	3 1/8	1	3.22	72	40B72	11.463	11.750	3/4	2 3/8	4	1 1/8	11.50	
34	40B34	5.412	5.700	3/4	2 1/8	3 1/8	1	3.30	80	40B80	12.736	13.030	3/4	2 3/8	4	1 1/8	13.40	
35	40B35	5.578	5.860	3/4	2 1/8	3 1/8	1	3.46	84	40B84	13.372	13.660	3/4	2 3/8	4	1 1/8	14.04	
36	40B36	5.737	6.020	3/4	2 1/8	3 1/8	1	3.58	96	40B96	15.281	15.570	1	2 3/8	4	1 1/8	17.56	
37	40B37	5.896	6.180	3/4	2 1/8	3 1/8	1	3.62	112	40B112	17.828	18.120	1	2 3/8	4	1 1/8	22.56	

NO 40 STOCK SPROCKETS 1/2" PITCH



Sprockets shown in shaded areas are supplied standard with Hardened Teeth.

*Has recessed groove in hub for chain clearance. Refer to B or BS type on page 48 for recessed hub dimensions.

Unless indicated, all sprockets shown accommodate a standard keyway with a setscrew over the keyway and a second setscrew at 90 degrees. Larger bores are possible with no keyway, shallow keyway, or setscrews at an angle to the keyway.

+ Indicates NO keyway.

Two setscrews only at 90 degrees.

Double-Type B

Triple-Type B

(Dimension, in.)

No. Of Teeth	Catalog Num.	Pitch Dia Dp	Outside Dia Do	TYPE	B Double Type B					Catalog Num.	TYPE	B Triple Type B				
					Bore Id		HUB		Wt. App. (lbs)			Bore Id		HUB		Wt. App. (lbs)
					Min	Max	Di	L				Min	Max	Di	L	
11	D40B11	1.775	2.000	B	1/2	3/4	1 1/8	1 1/2	0.62	T40B11	B	1/2	3/4	1 1/8	2 1/4	0.80
12	D40B12	1.932	2.170	B	1/2	5/8	1 1/8	1 1/2	0.75	T40B12	B	1/2	5/8	1 1/8	2 1/4	1.10
13	D40B13	2.089	2.330	B	1/2	1	1 1/8	1 1/2	0.85	T40B13	B	1/2	1	1 1/8	2 1/4	1.24
14	D40B14	2.247	2.490	B	1/2	1 1/8	1 1/8	1 1/2	1.08	T40B14	B	1/2	1 1/8	1 1/8	2 1/4	1.50
15	D40B15	2.405	2.650	B	1/2	1 1/8	1 1/8	1 1/2	1.24	T40B15	B	1/2	1 1/8	1 1/8	2 1/4	1.76
16	D40B16	2.563	2.810	B	1/2	1 1/8	2	1 1/2	1.42	T40B16	B	1/2	1 1/8	2	2 1/4	2.04
17	D40B17	2.721	2.980	B	1/2	1 1/8	2 1/8	1 1/2	1.64	T40B17	B	1/2	1 1/8	2 1/8	2 1/4	2.34
18	D40B18	2.879	3.140	B	1/2	1 1/8	2 1/8	1 1/2	1.92	T40B18	B	1/2	1 1/8	2 1/8	2 1/4	2.72
19	D40B19	3.038	3.300	B	1/2	1 1/8	2 1/8	1 1/2	2.22	T40B19	B	1/2	1 1/8	2 1/8	2 1/4	3.10
20	D40B20	3.196	3.460	B	1/2	1 1/8	2 1/8	1 1/2	2.64	T40B20	B	1/2	1 1/8	2 1/8	2 1/4	3.72
21	D40B21	3.355	3.620	B	1/2	1 1/8	2 1/8	1 1/2	2.94	T40B21	B	1/2	1 1/8	2 1/8	2 1/4	4.06
22	D40B22	3.513	3.780	B	1/2	1 1/8	2 1/8	1 1/2	3.18	T40B22	B	1/2	1 1/8	2 1/8	2 1/4	4.52
23	D40B23	3.672	3.940	B	1/2	2	3	1 1/2	3.52	T40B23	B	1/2	2	3	2 1/4	4.96
24	D40B24	3.831	4.100	B	1/2	2 1/8	3 1/8	1 1/2	4.04	T40B24	B	1/2	2 1/8	3 1/8	2 1/4	5.64
25	D40B25	3.989	4.260	B	1/2	2 1/8	3 1/8	1 1/2	4.26	T40B25	B	1/2	2 1/8	3 1/8	2 1/4	6.02
26	D40B26	4.148	4.420	B	1/2	2 1/8	3 1/8	1 1/2	4.48	T40B26	B	1/2	2 1/8	3 1/8	2 1/4	6.36
30	D40B30	4.783	5.060	B	7/8	2 1/4	3 1/4	1 1/8	5.34	T40B30	B	7/8	2 1/4	3 1/4	2 1/4	7.84
35	D40B35	5.578	5.860	B	1 1/8	2 1/4	3 1/4	1 1/8	6.80	T40B35	B	1 1/8	2 1/4	3 1/4	2 1/4	10.30
36	D40B36	5.737	6.020	B	1 1/8	2 1/2	3 1/4	1 1/8	7.20	T40B36	B	1 1/8	2 1/2	3 1/4	2 1/8	11.72
40	D40B40	6.373	6.650	B	1 1/8	2 1/2	3 1/4	1 1/2	9.40							
42	D40B42	6.691	6.970	B	1 1/8	2 1/2	3 1/4	1 1/2	10.20	T40B42	B	1 1/8	2 1/2	3 1/4	2 1/8	15.36
45	D40B45	7.168	7.450	B	1 1/8	2 1/2	3 1/4	1 1/2	11.36							
48	D40B48	7.645	7.930	B	1 1/8	2 1/2	3 1/4	1 1/2	12.66	T40B48	B	1 1/8	2 1/2	3 1/4	2 1/8	19.36
52	D40B52	8.281	8.570	B	1 1/8	2 1/2	3 1/4	1 1/2	14.46	T40B52	B	1 1/8	2 1/2	3 1/4	2 1/8	22.44
54	D40B54	8.599	8.890	B	1 1/8	2 1/2	3 1/4	1 1/2	15.48							
60	D40B60	9.554	9.840	B	1 1/8	2 1/2	3 1/4	1 1/2	18.60	T40B60	B	1 1/8	2 1/2	3 1/4	2 1/8	30.02
68	D40B68	10.826	11.120	B	1 1/8	2 1/4	4 1/4	2 1/8	24.96	T40B68	B	1 1/8	2 1/4	4	2 1/8	38.44
72	D40B72	11.463	11.750	B	1 1/8	2 1/4	4 1/4	2 1/8	27.88	T40B72	B	1 1/8	2 1/4	4	2 1/8	42.46
76	D40B76	12.099	12.390	B	1 1/8	2 1/4	4 1/4	2 1/8	30.18	T40B76	B	1 1/8	2 1/4	4	2 1/8	46.90
84	D40B84	13.372	13.660	B	1 1/8	2 1/4	4 1/4	2 1/8	36.24	T40B84	B	1 1/8	2 1/4	4 1/4	2 1/8	57.30
95	D40B95	15.122	15.410	B	1 1/8	2 1/4	4 1/4	2 1/8	38.84	T40B95	B	1 1/8	2 1/4	4 1/4	2 1/8	62.18
96	D40B96	15.281	15.570	B	1 1/8	2 1/4	4 1/4	2 1/8	39.50							
102	D40B102	16.236	16.530	B	1 1/8	2 1/4	4 1/4	2 1/8	42.72	T40B102	B	1 1/8	2 1/4	4 1/4	2 1/8	68.40
112	D40B112	17.826	18.120	B	1 1/8	2 1/4	4 1/4	2 1/8	55.54							

TRITAN

PRECISION SPROCKETS

YOUR LINK TO QUALITY.

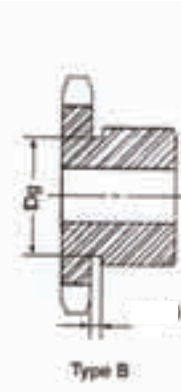
NO 50 STOCK SPROCKETS 5/8" PITCH

BORED TO SIZE

Single-Type BS

(Dimension, in.)

No. Teeth	Catalog Num.	OUTSIDE DIA Do	LENGTH THRU L	Wt (lbs) (App)	STOCK FINISHED BoreS (Includes Keyway and Setscrew)															
					1.00	1.125	1.25	1.375	1.50	1.625	1.75	1.875	2.00	2.125						
9	50B99	2.090	1	0.30																
10	50B910	2.300	1	0.30																
11	50B911	2.500	1	0.60																
12	50B912	2.710	1	0.70																
13	50B913	2.910	1	0.80																
14	50B914	3.110	1	1.00																
15	50B915	3.320	1	1.20																
16	50B916	3.520	1	1.45																
17	50B917	3.720	1	1.60																
18	50B918	3.920	1	1.90																
19	50B919	4.120	1	2.00																
20	50B920	4.320	1	2.10																
21	50B921	4.520	1	2.25																
22	50B922	4.720	1	2.40																
23	50B923	4.920	1	2.50																
24	50B924	5.120	1.125	3.00																
25	50B925	5.320	1.125	3.10																
26	50B926	5.520	1.125	3.30																
27	50B927	5.720	1.125	3.46																
28	50B928	5.920	1.125	3.60																
29	50B929	6.120	1.125	3.78																
30	50B930	6.320	1.125	3.90																
31	50B931	6.520	1.125	4.46																
32	50B932	6.720	1.125	4.70																
33	50B933	6.920	1.125	4.92																
34	50B934	7.120	1.125	5.06																
35	50B935	7.320	1.125	5.30																
36	50B936	7.520	1.125	5.50																
37	50B937	7.720	1.125	5.62																
38	50B938	7.920	1.125	5.80																
39	50B939	8.120	1.125	6.02																
40	50B940	8.320	1.125	6.20																
41	50B941	8.520	1.125	6.45																
42	50B942	8.720	1.125	6.68																
43	50B943	8.910	1.125	6.79																
44	50B944	9.110	1.125	7.30																
45	50B945	9.310	1.125	8.00																
46	50B946	9.510	1.125	8.51																
47	50B947	9.710	1.125	8.76																
48	50B948	9.910	1.125	9.03																
49	50B949	10.110	1.125	9.33																
50	50B950	10.310	1.125	9.63																
51	50B951	10.510	1.125	9.81																
52	50B952	10.710	1.125	9.99																
53	50B953	10.910	1.125	10.37																
54	50B954	11.110	1.125	10.75																
55	50B955	11.310	1.125	11.08																
56	50B956	11.500	1.125	11.41																
57	50B957	11.700	1.125	11.75																
58	50B958	11.900	1.125	12.08																
59	50B959	12.100	1.125	12.41																
60	50B960	12.300	1.125	13.50																
70	50B970	14.290	1.125	17.81																
72	50B972	14.690	1.125	19.13																
80	50B980	16.280	1.125	24.39																
84	50B984	17.080	1.125	25.15																
96	50B996	19.470	1.125	32.57																
112	50B9112	22.650	1.125	41.46																

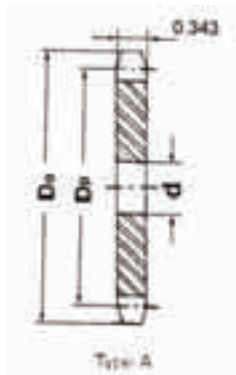


Sprockets shown in shaded areas are supplied standard with Hardened Teeth.

Sprockets with 8-12 teeth have a recessed groove in hub for chain clearance Refer to tables for type B on page 52 for hub and recess dimensions.

All sprockets shown accommodate a standard keyway with a set screw over the keyway and a second set screw at 90 degrees. Larger bores are possible with no keyway, shallow keyway, or setscrews at an angle to the key way

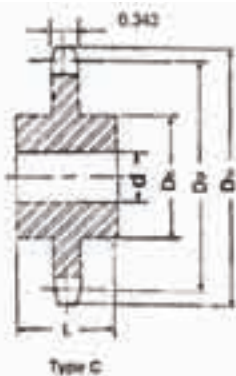
NO 50 STOCK SPROCKETS 5/8" PITCH



Sprockets shown in shaded areas are supplied standard with Hardened Teeth.

Single-Type A

No. Of Teeth	Catalog Num.	Pitch Dia Dp	Outside Dia Do	A Type A		No. Of Teeth	Catalog Num.	Pitch Dia Dp	Outside Dia Do	A Type A	
				Bore, d	Wt (App) (lbs)					Bore, d	Wt (App) (lbs)
8	50A8	1.633	1.880	1.00	0.20	40	50A40	7.966	8.320	23.00	4.46
9	50A9	1.827	2.090	1.12	0.24	41	50A41	8.165	8.520	23.00	4.86
10	50A10	2.023	2.300	1.25	0.28	42	50A42	8.363	8.720	23.00	4.96
11	50A11	2.219	2.500	1.38	0.31	43	50A43	8.562	8.910	23.00	5.24
12	50A12	2.415	2.710	1.50	0.34	44	50A44	8.761	9.110	23.00	5.42
13	50A13	2.612	2.910	1.63	0.42	45	50A45	8.960	9.310	23.00	5.92
14	50A14	2.803	3.110	1.75	0.50	46	50A46	9.159	9.510	19.16	6.42
15	50A15	3.006	3.320	1.88	0.54	47	50A47	9.357	9.710	19.16	6.50
16	50A16	3.204	3.520	1.99	0.68	48	50A48	9.556	9.910	19.16	6.58
17	50A17	3.401	3.720	2.12	0.76	49	50A49	9.755	10.110	19.16	7.06
18	50A18	3.599	3.920	2.25	0.86	50	50A50	9.954	10.310	19.16	7.10
19	50A19	3.797	4.120	2.37	0.94	51	50A51	10.153	10.510	19.16	7.32
20	50A20	3.995	4.320	2.50	1.06	52	50A52	10.351	10.710	19.16	7.98
21	50A21	4.194	4.520	2.62	1.12	53	50A53	10.550	10.910	19.16	8.06
22	50A22	4.392	4.720	2.75	1.30	54	50A54	10.749	11.110	19.16	8.30
23	50A23	4.590	4.920	2.87	1.44	55	50A55	10.948	11.310	19.16	8.56
24	50A24	4.788	5.120	3.00	1.50	56	50A56	11.147	11.500	19.16	8.90
25	50A25	4.987	5.320	3.12	1.62	57	50A57	11.346	11.700	19.16	9.38
26	50A26	5.185	5.520	3.25	1.72	58	50A58	11.544	11.900	19.16	10.30
27	50A27	5.384	5.720	3.37	1.96	59	50A59	11.743	12.100	19.16	10.50
28	50A28	5.582	5.920	3.50	2.04	60	50A60	11.942	12.300	19.16	10.80
29	50A29	5.781	6.120	3.62	2.36	65	50A65	12.936	13.300	19.16	10.90
30	50A30	5.979	6.320	3.75	2.54	70	50A70	13.931	14.290	19.16	14.00
31	50A31	6.178	6.520	3.87	2.80	72	50A72	14.329	14.690	19.16	15.24
32	50A32	6.376	6.720	4.00	2.92	76	50A76	15.124	15.486	19.16	20.08
33	50A33	6.575	6.920	4.12	3.14	80	50A80	15.920	16.280	19.16	21.00
34	50A34	6.774	7.120	4.25	3.20	84	50A84	16.715	17.080	19.16	22.08
35	50A35	6.972	7.320	4.37	3.34	90	50A90	17.906	18.270	19.16	25.00
36	50A36	7.171	7.520	4.50	3.82	95	50A95	18.903	19.270	19.16	27.00
37	50A37	7.370	7.720	4.62	3.98	96	50A96	19.102	19.470	19.16	27.40
38	50A38	7.569	7.920	4.75	4.14	102	50A102	20.295	20.660	19.16	32.50
39	50A39	7.767	8.120	4.87	4.42	112	50A112	22.285	22.650	19.16	37.70



Single-Type C

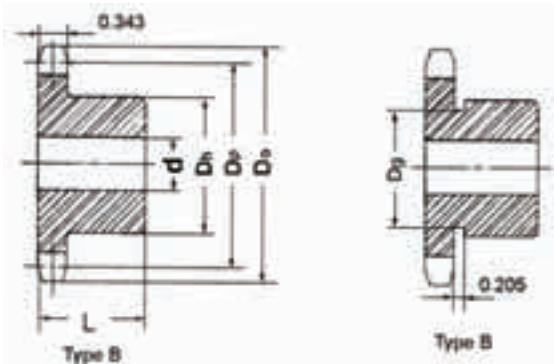
No. Of Teeth	Catalog Num.	Pitch Dia Dp	Outside Dia Do	C Type C					
				Bore, d		HUB		Wt (App) (lbs)	
				Min	Max	Dh	L		
12	50C12	2.415	2.710	1.12	1.12	2.00	1.12	1.25	..
13	50C13	2.612	2.910	1.25	1.25	2.00	1.25	1.47	..
14	50C14	2.803	3.110	1.38	1.38	2.00	1.38	1.69	..
15	50C15	3.006	3.320	1.50	1.50	2.00	1.50	1.94	..
16	50C16	3.204	3.520	1.63	1.63	2.00	1.63	2.42	..
17	50C17	3.401	3.720	1.75	1.75	2.00	1.75	2.75	..
18	50C18	3.599	3.920	1.88	1.88	2.00	1.88	3.25	..
19	50C19	3.797	4.120	1.99	2.00	3.00	1.99	3.87	..
20	50C20	3.995	4.320	2.12	2.12	3.00	2.12	4.40	..

TRITAN

PRECISION SPROCKETS

YOUR LINK TO QUALITY.

NO 50 STOCK SPROCKETS 5/8" PITCH



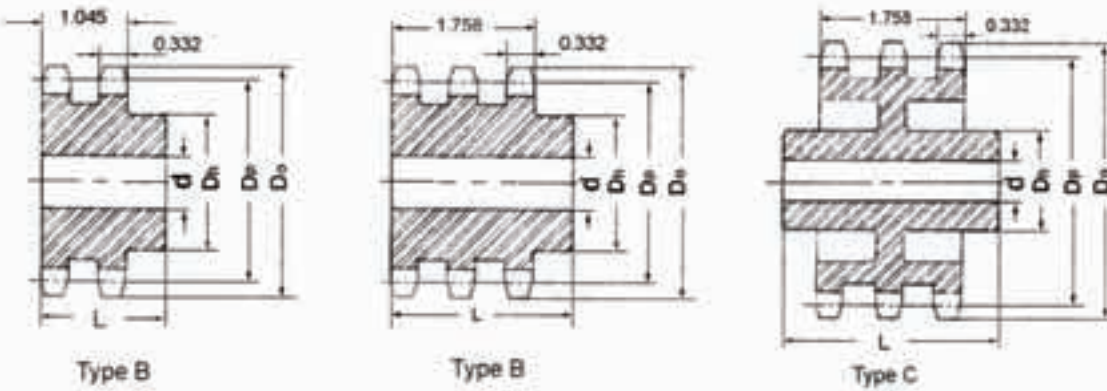
Sprockets shown in shaded areas are supplied standard with Hardened Teeth.

*Has recessed groove in hub for chain clearance. Groove diameter D_g is indicated below:

- 8 teeth - 0.861"
- 9 teeth - 1.069"
- 10 teeth - 1.276"
- 11 teeth - 1.469"
- 12 teeth - 1.685"

No Of Teeth	Catalog Num.	Pitch Dia Dp	Outside Dia Do	B Type B				BW Type BW		No Of Teeth	Catalog Num.	Pitch Dia Dp	Outside Dia Do	B Type B				BW Type BW			
				Bore d		HUB		Wt(App) (lbs)	Bore d					HUB		Wt(App) (lbs)	Bore d		HUB		Wt(App) (lbs)
				Min	Max	Dh	L							Min	Max		Dh	L			
8	50B8	1.633	1.880	1.8	1.8	1.8	1	0.25	40	50B40	7.966	8.320	3.4	2.1	3.4	1.4	6.50				
9	50B9	1.827	2.090	1.8	1.8	1.8	1	0.36	41	50B41	8.165	8.520	3.4	2.1	3.4	1.4	6.64				
10	50B10	2.023	2.300	1.8	1.8	1.8	1	0.48	42	50B42	8.363	8.720	3.4	2.1	3.4	1.4	6.96				
11	50B11	2.219	2.500	1.8	1.8	1.8	1	0.64	43	50B43	8.562	8.910	3.4	2.1	3.4	1.4	7.06				
12	50B12	2.415	2.710	1.8	1.8	1.8	1	0.83	44	50B44	8.761	9.110	3.4	2.1	3.4	1.4	7.58				
13	50B13	2.612	2.910	1.8	1.8	1.8	1	0.88	45	50B45	8.960	9.310	3.4	2.1	3.4	1.4	8.08				
14	50B14	2.803	3.110	1.8	1.8	1.8	1	1.13	46	50B46	9.159	9.510	3.4	2.1	3.4	1.4	8.22				
15	50B15	3.006	3.320	1.8	1.8	1.8	1	1.34	47	50B47	9.357	9.710	3.4	2.1	3.4	1.4	8.48				
16	50B16	3.204	3.520	1.8	1.8	1.8	1	1.51	48	50B48	9.556	9.910	1	2.1	3.4	1.4	9.28				
17	50B17	3.401	3.720	1.8	1.8	2.1	1	1.74	49	50B49	9.755	10.110	1	2.1	3.4	1.4	9.52				
18	50B18	3.599	3.920	1.8	1.8	2.1	1	2.00	50	50B50	9.954	10.310	1	2.1	3.4	1.4	9.78				
19	50B19	3.797	4.120	1.8	2	3	1	2.22	51	50B51	10.153	10.510	1	2.1	3.4	1.4	10.00				
20	50B20	3.995	4.320	1.8	2	3	1	2.28	52	50B52	10.351	10.710	1	2.1	3.4	1.4	10.24				
21	50B21	4.194	4.520	1.8	2	3	1	2.40	53	50B53	10.550	10.910	1	2.1	3.4	1.4	10.48				
22	50B22	4.392	4.720	1.8	2	3	1	2.56	54	50B54	10.749	11.110	1	2.1	3.4	1.4	10.80				
23	50B23	4.590	4.920	1.8	2	3	1	2.66	55	50B55	10.948	11.310	1	2.1	3.4	1.4	11.00				
24	50B24	4.788	5.120	1.8	2	3	1.4	3.30	56	50B56	11.147	11.500	1	2.1	3.4	1.4	11.40				
25	50B25	4.987	5.320	1.8	2	3	1.4	3.40	57	50B57	11.346	11.700	1	2.1	3.4	1.4	11.70				
26	50B26	5.185	5.520	1.8	2	3	1.4	3.44	58	50B58	11.544	11.900	1	2.1	3.4	1.4	12.00				
27	50B27	5.384	5.720	1.8	2	3	1.4	3.74	59	50B59	11.743	12.100	1	2.1	3.4	1.4	12.32				
28	50B28	5.582	5.920	1.8	2	3	1.4	3.80	60	50B60	11.942	12.300	1	2.1	3.4	1.4	13.00				
29	50B29	5.781	6.120	1.8	2	3	1.4	4.06	65	50B65	12.936	13.300	1	2.1	3.4	1.4	15.50				
30	50B30	5.979	6.320	1.8	2.1	3.4	1.4	4.56	70	50B70	13.931	14.290	1	2.1	3.4	1.4	18.16				
31	50B31	6.178	6.520	1.8	2.1	3.4	1.4	4.74	72	50B72	14.329	14.690	1	2.1	3.4	1.4	19.48				
32	50B32	6.376	6.720	1.8	2.1	3.4	1.4	4.96	76	50B76	15.124	15.486	1	2.1	3.4	1.4	21.00				
33	50B33	6.575	6.920	1.8	2.1	3.4	1.4	5.14	80	50B80	15.920	16.280	1	2.1	4.1	1.4	24.74				
34	50B34	6.774	7.120	1.8	2.1	3.4	1.4	5.29	84	50B84	16.715	17.080	1	2.1	4.1	1.4	25.50				
35	50B35	6.972	7.320	1.8	2.1	3.4	1.4	5.44	90	50B90	17.906	18.270	1	2.1	4.1	1.4	29.00				
36	50B36	7.171	7.520	1.8	2.1	3.4	1.4	5.64	95	50B95	18.903	19.270	1	2.1	4.1	1.4	32.00				
37	50B37	7.370	7.720	1.8	2.1	3.4	1.4	5.90	96	50B96	19.102	19.470	1	2.1	4.1	1.4	32.92				
38	50B38	7.569	7.920	1.8	2.1	3.4	1.4	6.08	102	50B102	20.295	20.660	1	2.1	4.1	1.4	36.30				
39	50B39	7.767	8.120	1.8	2.1	3.4	1.4	6.30	112	50B112	22.285	22.650	1	2.1	4.1	1.4	42.00				

NO 50 STOCK SPROCKETS 5/8" PITCH



Sprockets shown in shaded areas are supplied standard with Hardened Teeth.

*Has recessed groove in hub for chain clearance. Refer to B or BS type on page 52 for recessed hub dimensions.

All sprockets shown up to the maximum bore accommodate a standard keyway with a set screw over the keyway and a second setscrew at 90 degrees. Larger bores are possible with no keyway, or set screws at an angle to the key way

Double-Type B

Triple-Type B&C (Dimension, in.)

No. Of Teeth	Catalog Num.	Pitch Dia Do	Outside Dia Do	Type	B Double Type B					Catalog Num.	Type	C TRIPLE Type B&C				
					Bore d		Dn	L	Wt. Appl (lbs)			Bore d		Dn	L	Wt. Appl (lbs)
					Min	Max						Min	Max			
11	D50B11	2.219	2.500	B	1.4	1.4	1.15	1.15	0.96	T50B11	B	1.4	1.4	1.15	1.15	1.42
12	D50B12	2.415	2.710	B	1.4	1.4	1.15	1.15	1.25	T50B12	B	1.4	1.4	1.15	1.15	1.84
13	D50B13	2.612	2.910	B	1.4	1.4	1.15	1.15	1.55	T50B13	B	1.4	1.4	1.15	1.15	2.28
14	D50B14	2.803	3.110	B	1.4	1.4	1.15	1.15	1.85	T50B14	B	1.4	1.4	1.15	1.15	2.72
15	D50B15	3.006	3.320	B	1.4	1.4	1.15	1.15	2.22	T50B15	B	1.4	1.4	1.15	1.15	3.24
16	D50B16	3.204	3.520	B	1.4	1.4	1.15	1.15	2.62	T50B16	B	1.4	1.4	1.15	1.15	3.75
17	D50B17	3.401	3.720	B	1.4	1.4	1.15	1.15	3.04	T50B17	B	1.4	1.4	1.15	1.15	4.38
18	D50B18	3.599	3.920	B	1.4	1.4	1.15	1.15	3.58	T50B18	B	1.4	1.4	1.15	1.15	5.10
19	D50B19	3.797	4.120	B	1.4	1.4	1.15	1.15	3.90	T50B19	B	1.4	1.4	1.15	1.15	5.60
20	D50B20	3.995	4.320	B	1.4	1.4	1.15	1.15	4.26	T50B20	B	1.4	1.4	1.15	1.15	6.42
21	D50B21	4.194	4.520	B	1.4	1.4	1.15	1.15	4.50	T50B21	B	1.4	1.4	1.15	1.15	7.42
22	D50B22	4.392	4.720	B	1.4	1.4	1.15	1.15	5.58	T50B22	B	1.4	1.4	1.15	1.15	7.92
23	D50B23	4.590	4.920	B	1.4	1.4	1.15	1.15	6.10	T50B23	B	1.4	1.4	1.15	1.15	8.80
24	D50B24	4.788	5.120	B	1.4	1.4	1.15	1.15	6.50	T50B24	B	1.4	1.4	1.15	1.15	9.42
25	D50B25	4.987	5.320	B	1.4	1.4	1.15	1.15	6.94	T50B25	B	1.4	1.4	1.15	1.15	10.15
26	D50B26	5.185	5.520	B	1.4	1.4	1.15	1.15	7.54	T50B26	B	1.4	1.4	1.15	1.15	11.02
30	D50B30	5.979	6.320	B	1.4	1.4	1.15	1.15	9.40	T50B30	B	1.4	1.4	1.15	1.15	14.24
32	D50B30	6.376	6.720	B	1.4	1.4	1.15	1.15	10.46							
35	D50B35	6.972	7.320	B	1.4	1.4	1.15	1.15	12.28	T50B35	B	1.4	1.4	1.15	1.15	18.96
36	D50B36	7.171	7.520	B	1.4	1.4	1.15	1.15	13.94	T50B36	B	1.4	1.4	1.15	1.15	20.60
40	D50B40	7.966	8.320	B	1.4	1.4	1.15	1.15	15.54							
42	D50B42	8.363	8.720	B	1.4	1.4	1.15	1.15	17.92	T50B42	B	1.4	1.4	1.15	1.15	27.46
45	D50B45	8.960	9.310	B	1.4	1.4	1.15	1.15	20.30							
48	D50B48	9.556	9.910	B	1.4	1.4	1.15	1.15	24.08	T50B48	B	1.4	1.4	1.15	1.15	36.64
52	D50B52	10.351	10.710	B	1.4	1.4	1.15	1.15	27.42	T50B52	B	1.4	1.4	1.15	1.15	42.54
54	D50B54	10.749	11.110	B	1.4	1.4	1.15	1.15	29.16							
60	D50B60	11.942	12.300	B	1.4	1.4	1.15	1.15	35.88	T50B60	B	1.4	1.4	1.15	1.15	56.84
68	D50B68	13.533	13.890	B	1.4	1.4	1.15	1.15	44.98	T50B68	B	1.4	1.4	1.15	1.15	73.21
72	D50B72	14.329	14.690	B	1.4	1.4	1.15	1.15	50.22	T50C72	C	1.4	1.4	1.15	1.15	54.40
76	D50B76	15.124	15.486	B	1.4	1.4	1.15	1.15	45.64	T50C76	C	1.4	1.4	1.15	1.15	57.20
84	D50B84	16.715	17.080	B	1.4	1.4	1.15	1.15	51.64	T50C84	C	1.4	1.4	1.15	1.15	65.32
95	D50B95	18.903	19.270	B	1.4	1.4	1.15	1.15	64.32	T50C95	C	1.4	1.4	1.15	1.15	74.42
96	D50B96	19.102	19.470	B	1.4	1.4	1.15	1.15	67.42							
102	D50B102	20.295	20.660	B	1.4	1.4	1.15	1.15	72.68	T50C102	C	1.4	1.4	1.15	1.15	79.94
112	D50B112	22.285	22.650	B	1.4	1.4	1.15	1.15	90.22							

TRITAN

PRECISION SPROCKETS

YOUR LINK TO QUALITY.

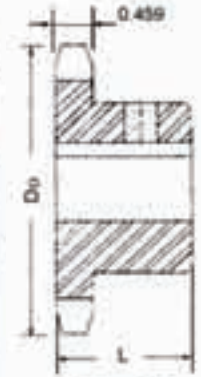
NO 60 STOCK SPROCKETS 3/4" PITCH

BORED TO SIZE

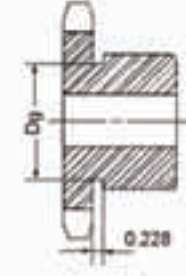
Single-Type BS

(Dimension, in.)

No. Teeth	Catalog Num.	Outside Dia. Do	Length Thru L	Wt (App) (Lbs)	Stock Finished Bores/Includes Keyway and Setscrew															
9	60BS9	2.510	1.1	0.6	1.4	1.8	1													
10	60BS10	2.760	1.1	0.7	1.4	1.8	1	1.4	1.8	1.4										
11	60BS11	3.000	1.1	0.9	1.4	1.8	1	1.8	1.8	1.4										
11	60BS11W	3.000	1.1	0.8																
12	60BS12	3.250	1.1	1.3	1.4	1.8	1	1.8	1.8	1.4	1.8									
12	60BS12W	3.250	1.1	1.1																
13	60BS13	3.490	1.1	1.3	1.4	1.8	1	1.8	1.8	1.4	1.8	1.8								
14	60BS14	3.740	1.1	1.6	1.4	1.8	1	1.8	1.8	1.4	1.8	1.8	1.8							
15	60BS15	3.980	1.1	1.7	1.4	1.8	1	1.8	1.8	1.4	1.8	1.8	1.8	1.8						
16	60BS16	4.220	1.1	2.1	1.4	1.8	1	1.8	1.8	1.4	1.8	1.8	1.8	1.8						
17	60BS17	4.460	1.1	2.4																
18	60BS18	4.700	1.1	2.6	1	1.8	1.8	1.4	1.8	1.8	1.8	1.8	1.8	1.8						
18	60BS18W	4.700	1.1	2.6																
19	60BS19	4.950	1.1	3.4	1	1.8	1.8	1.4	1.8	1.8	1.8	1.8	1.8	1.8						
20	60BS20	5.190	1.1	3.9	1	1.8	1.8	1.4	1.8	1.8	1.8	1.8	1.8	1.8						
21	60BS21	5.430	1.1	4.4	1	1.8	1.8	1.4	1.8	1.8	1.8	1.8	1.8	1.8						
22	60BS22	5.670	1.1	4.7	1	1.8	1.8	1.4	1.8	1.8	1.8	1.8	1.8	1.8						
23	60BS23	5.910	1.1	5.0	1	1.8	1.8	1.4	1.8	1.8	1.8	1.8	1.8	1.8						
24	60BS24	6.150	1.1	5.3	1	1.8	1.8	1.4	1.8	1.8	1.8	1.8	1.8	1.8						
25	60BS25	6.390	1.1	5.4	1	1.8	1.8	1.4	1.8	1.8	1.8	1.8	1.8	1.8						
26	60BS26	6.630	1.1	5.8	1	1.8	1.8	1.4	1.8	1.8	1.8	1.8	1.8	1.8						
27	60BS27	6.870	1.1	6.3	1	1.8	1.8	1.4	1.8	1.8	1.8	1.8	1.8	1.8						
28	60BS28	7.110	1.1	6.4	1	1.8	1.8	1.4	1.8	1.8	1.8	1.8	1.8	1.8						
29	60BS29	7.350	1.1	6.9	1	1.8	1.8	1.4	1.8	1.8	1.8	1.8	1.8	1.8						
30	60BS30	7.590	1.1	7.1	1	1.8	1.8	1.4	1.8	1.8	1.8	1.8	1.8	1.8						
31	60BS31	7.830	1.1	7.4	1	1.8	1.8	1.4	1.8	1.8	1.8	1.8	1.8	1.8						
32	60BS32	8.070	1.1	7.8	1	1.8	1.8	1.4	1.8	1.8	1.8	1.8	1.8	1.8						
33	60BS33	8.300	1.1	8.2	1	1.8	1.8	1.4	1.8	1.8	1.8	1.8	1.8	1.8						
34	60BS34	8.540	1.1	8.5	1	1.8	1.8	1.4	1.8	1.8	1.8	1.8	1.8	1.8						
35	60BS35	8.780	1.1	8.8	1	1.8	1.8	1.4	1.8	1.8	1.8	1.8	1.8	1.8						
36	60BS36	9.020	1.1	9.2	1	1.8	1.8	1.4	1.8	1.8	1.8	1.8	1.8	1.8	2	2.18	2.18			
37	60BS37	9.260	1.1	9.9	1	1.8	1.8	1.4	1.8	1.8	1.8	1.8	1.8	1.8	2	2.18	2.18			
38	60BS38	9.500	1.1	10.5	1	1.8	1.8	1.4	1.8	1.8	1.8	1.8	1.8	1.8	2	2.18	2.18			
39	60BS39	9.740	1.1	10.9	1	1.8	1.8	1.4	1.8	1.8	1.8	1.8	1.8	1.8	2	2.18	2.18			
40	60BS40	9.980	1.1	11.2	1	1.8	1.8	1.4	1.8	1.8	1.8	1.8	1.8	1.8	2	2.18	2.18			
41	60BS41	10.220	1.1	11.8	1	1.8	1.8	1.4	1.8	1.8	1.8	1.8	1.8	1.8	2	2.18	2.18			
42	60BS42	10.460	1.1	12.4	1	1.8	1.8	1.4	1.8	1.8	1.8	1.8	1.8	1.8	2	2.18	2.18			
43	60BS43	10.700	1.1	13.0	1	1.8	1.8	1.4	1.8	1.8	1.8	1.8	1.8	1.8	2	2.18	2.18			
44	60BS44	10.940	1.1	13.5	1	1.8	1.8	1.4	1.8	1.8	1.8	1.8	1.8	1.8	2	2.18	2.18			
45	60BS45	11.180	1.1	13.8	1	1.8	1.8	1.4	1.8	1.8	1.8	1.8	1.8	1.8	2	2.18	2.18			
46	60BS46	11.420	1.1	14.1	1	1.8	1.8	1.4	1.8	1.8	1.8	1.8	1.8	1.8	2	2.18	2.18			
47	60BS47	11.660	1.1	14.6	1	1.8	1.8	1.4	1.8	1.8	1.8	1.8	1.8	1.8	2	2.18	2.18			
48	60BS48	11.890	1.1	15.4	1	1.8	1.8	1.4	1.8	1.8	1.8	1.8	1.8	1.8	2	2.18	2.18			
49	60BS49	12.130	1.1	16.4	1	1.8	1.8	1.4	1.8	1.8	1.8	1.8	1.8	1.8	2	2.18	2.18			
50	60BS50	12.370	1.1	17.3	1	1.8	1.8	1.4	1.8	1.8	1.8	1.8	1.8	1.8	2	2.18	2.18			
51	60BS51	12.610	1.1	18.3	1	1.8	1.8	1.4	1.8	1.8	1.8	1.8	1.8	1.8	2	2.18	2.18			
52	60BS52	12.850	1.1	19.3	1	1.8	1.8	1.4	1.8	1.8	1.8	1.8	1.8	1.8	2	2.18	2.18			
53	60BS53	13.090	1.1	20.3	1	1.8	1.8	1.4	1.8	1.8	1.8	1.8	1.8	1.8	2	2.18	2.18			
54	60BS54	13.330	1.1	21.0	1	1.8	1.8	1.4	1.8	1.8	1.8	1.8	1.8	1.8	2	2.18	2.18			
55	60BS55	13.570	1.1	21.2											2	2.18	2.18			
56	60BS56	13.810	1.1	21.3											2	2.18	2.18			
57	60BS57	14.040	1.1	22.2											2	2.18	2.18			
58	60BS58	14.280	1.1	23.0											2	2.18	2.18			
59	60BS59	14.520	1.1	23.8											2	2.18	2.18			
60	60BS60	14.760	1.1	25.0											2	2.18	2.18			
70	60BS70	17.150	1.1	31.4											2	2.18	2.18			
72	60BS72	17.630	2	33.5											2	2.18	2.18			
80	60BS80	19.540	2	41.2											2	2.18	2.18			
84	60BS84	20.490	2	45.8											2	2.18	2.18			
96	60BS96	23.360	2.1	62.3											2	2.18	2.18			
112	60BS112	27.180	2.1	81.6											2	2.18	2.18			



Type BS



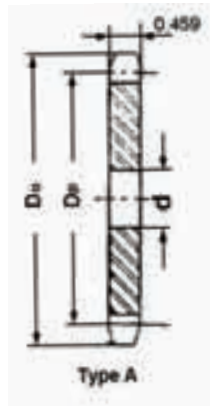
Type B

Sprockets shown in shaded areas are supplied standard with Hardened Teeth.

Sprockets with 8-11 teeth have a recessed groove in hub for chain clearance. Refer to tables for type B on page 56 for hub and recess dimensions.

Unless indicated, all sprockets shown accommodate a standard keyway with a setscrew over the keyway and a second setscrew at 90 degrees. Larger bores are possible with no keyway, shallow keyway, or setscrews at an angle to the keyway.

NO 60 STOCK SPROCKETS 3/4" PITCH

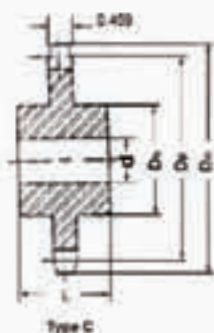


Sprockets shown in shaded areas are supplied standard with Hardened Teeth.

Single-Type A

(Dimension, in)

No. Of Teeth	Catalog Num.	Pitch Dia Dp	Outside Dia Do	A Type A		No. Of Teeth	Catalog Num.	Pitch Dia Dp	Outside Dia Do	A Type A	
				Bore d	Wt (App) (lbs)					Bore d	Wt (App) (lbs)
8	60A8	1.960	2.260	1.1	0.20	41	60A41	9.798	10.200	1.1	9.10
9	60A9	2.193	2.510	1.1	0.22	42	60A42	10.037	10.460	1.1	9.74
10	60A10	2.427	2.760	1.1	0.44	43	60A43	10.275	10.700	1.1	9.84
11	60A11	2.663	3.000	1.1	0.54	44	60A44	10.514	10.940	1.1	10.76
12	60A12	2.898	3.250	1.1	0.68	45	60A45	10.752	11.180	1.1	11.08
13	60A13	3.134	3.490	1.1	0.80	46	60A46	10.991	11.420	1.1	11.50
14	60A14	3.371	3.740	1.1	0.94	47	60A47	11.229	11.650	1.1	12.32
15	60A15	3.608	3.980	1.1	1.08	48	60A48	11.468	11.890	1.1	12.42
16	60A16	3.845	4.220	1.1	1.24	49	60A49	11.706	12.130	1.1	12.92
17	60A17	4.082	4.460	1.1	1.44	50	60A50	11.945	12.370	1.1	13.98
18	60A18	4.319	4.700	1.1	1.62	51	60A51	12.183	12.610	1.1	14.58
19	60A19	4.557	4.950	1.1	1.84	52	60A52	12.422	12.850	1.1	14.60
20	60A20	4.794	5.190	1.1	2.12	53	60A53	12.660	13.090	1.1	15.84
21	60A21	5.033	5.430	1.1	2.28	54	60A54	12.899	13.330	1.1	15.92
22	60A22	5.270	5.670	1.1	2.48	55	60A55	13.137	13.570	1.1	16.96
23	60A23	5.508	5.910	1.1	2.68	56	60A56	13.376	13.810	1.1	17.60
24	60A24	5.746	6.150	1.1	3.00	57	60A57	13.615	14.040	1.1	17.62
25	60A25	5.984	6.390	1.1	3.34	58	60A58	13.853	14.280	1.1	19.00
26	60A26	6.222	6.630	1.1	3.54	59	60A59	14.092	14.520	1.1	19.20
27	60A27	6.461	6.870	1.1	3.96	60	60A60	14.330	14.760	1.1	20.02
28	60A28	6.698	7.110	1.1	4.14	64	60A64	15.285	15.720	1.1	23.00
29	60A29	6.937	7.350	1.1	4.40	65	60A65	15.524	15.960	1.1	23.24
30	60A30	7.175	7.590	1.1	4.78	66	60A66	15.762	16.190	1.1	24.42
31	60A31	7.413	7.830	2.1	5.24	68	60A68	16.240	16.670	1.1	25.54
32	60A32	7.652	8.070	2.1	5.52	70	60A70	16.717	17.150	1.1	27.20
33	60A33	7.890	8.300	1.1	5.86	72	60A72	17.195	17.630	1.1	28.90
34	60A34	8.129	8.540	1.1	6.16	76	60A76	18.149	18.580	1.1	32.34
35	60A35	8.367	8.780	1.1	6.78	80	60A80	19.103	19.540	1.1	40.18
36	60A36	8.606	9.020	1.1	6.82	84	60A84	20.058	20.490	1.1	43.44
37	60A37	8.844	9.260	1.1	7.52	90	60A90	21.491	21.930	1.1	45.50
38	60A38	9.083	9.500	1.1	7.84	96	60A96	22.922	23.360	1.1	52.02
39	60A39	9.321	9.740	1.1	8.28	112	60A112	26.741	27.180	1.1	70.80
40	60A40	9.560	9.980	1.1	8.56						



Single-Type C

(Dimension, in)

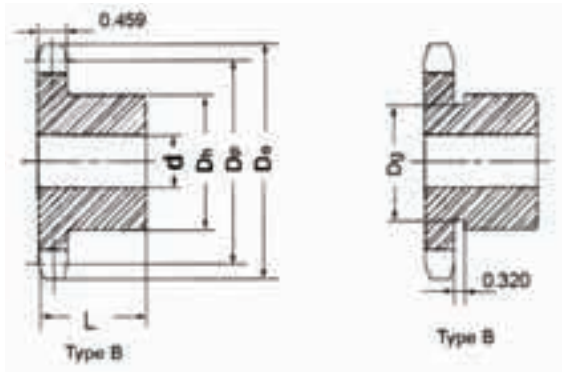
No. Of Teeth	Catalog Num.	Pitch Dia Dp	Outside Dia Do	C Type C				
				Bore d		Hub		Wt (App) (lbs)
				Min	Max	Dh	L	
12	60C12	2.898	3.250	3/4	1.1	2.1	2	2.25
13	60C13	3.134	3.490	3/4	1.1	2.1	2	2.75
14	60C14	3.371	3.740	3/4	1.1	2.1	2	3.19
15	60C15	3.608	3.980	3/4	1.1	2.1	2	3.70
16	60C16	3.845	4.220	3/4	2	3.1	2	4.19
17	60C17	4.082	4.460	3/4	2.1	3.1	2	4.81
18	60C18	4.319	4.700	3/4	2.1	3.1	2	5.62

TRITAN

PRECISION SPROCKETS

YOUR LINK TO QUALITY.

NO 60 STOCK SPROCKETS 3/4" PITCH



Sprockets shown in shaded areas are supplied standard with Hardened Teeth.

*Has recessed groove in hub for chain clearance. Groove diameter Dg is indicated below:

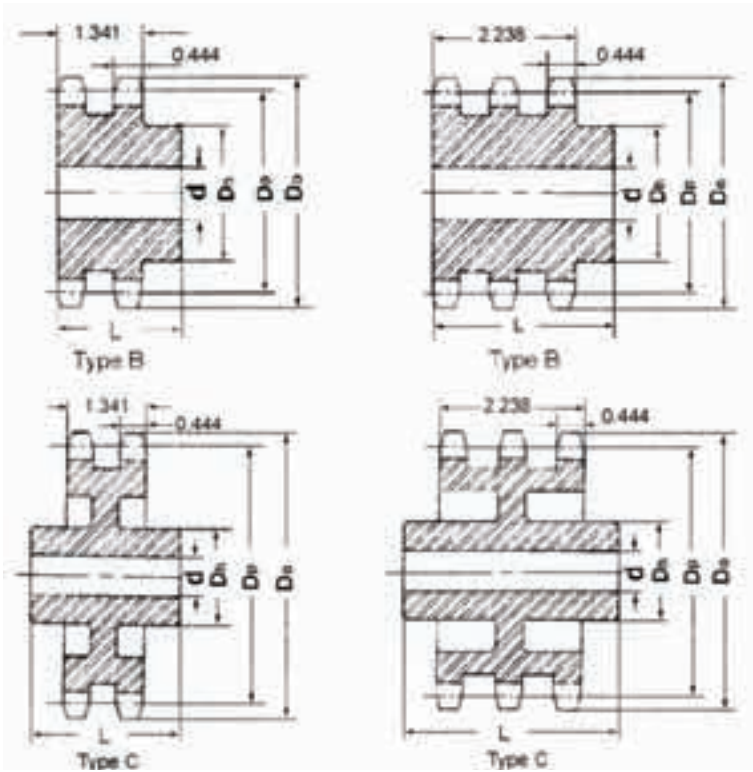
- 8 Teeth - 1.075"
- 9 Teeth - 1.307"
- 10 Teeth - 1.555"
- 11 Teeth - 1.803"

Single-Type B

(Dimension, in.)

No. of Teeth	Catalog Num.	Pitch Dia. Dp	Outside Dia. Ds	B Type B					BW Type BW					No. of Teeth	Catalog Num.	Pitch Dia. Dp	Outside Dia. Ds	B Type B					BW Type BW				
				Bore d		Hub		Wt. App. (lbs)	Bore d		Hub		Wt. App. (lbs)					Bore d		Hub		Wt. App. (lbs)	Bore d		Hub		Wt. App. (lbs)
				Min	Max	Dh	L		Min	Max	Dh	L						Min	Max	Dh	L		Min	Max	Dh	L	
8	60B8	1.960	2.260	5/8	5/8	1 15/32	1 1/4	0.54	41	60B41	9.798	10.200	1	2 1/4	4 1/4	1 1/4	12.14										
9	60B9	2.193	2.510	3/4	7/8	1 5/16	1 1/4	0.64	42	60B42	10.037	10.460	1	2 1/4	4 1/4	1 1/4	12.74										
10	60B10	2.427	2.760	3/4	1 1/8	1 15/16	1 1/4	0.99	43	60B43	10.275	10.700	1	2 3/4	4 1/4	1 1/4	13.00										
11	60B11	2.663	3.000	3/4	1 1/8	2 1/16	1 1/4	1.16	44	60B44	10.514	10.940	1 1/8	2 3/4	4 1/4	1 1/4	13.88										
12	60B12	2.898	3.250	3/4	1 3/8	2 3/8	1 1/4	1.47	45	60B45	10.752	11.180	1 1/8	2 3/4	4 1/4	1 1/4	13.98										
13	60B13	3.134	3.490	3/4	1 1/2	2 11/16	1 1/4	1.66	46	60B46	10.991	11.420	1 1/8	2 3/4	4 1/4	1 1/4	14.60										
14	60B14	3.371	3.740	3/4	1 3/4	2 9/16	1 1/4	2.00	47	60B47	11.229	11.650	1 1/8	2 3/4	4 1/4	1 1/4	15.00										
15	60B15	3.608	3.980	3/4	1 7/8	2 7/8	1 1/4	2.51	48	60B48	11.468	11.890	1 1/8	2 3/4	4 1/4	1 1/4	15.42										
16	60B16	3.845	4.220	3/4	2	3 1/16	1 1/4	2.81	49	60B49	11.706	12.130	1 1/8	2 3/4	4 1/4	1 1/4	15.90										
17	60B17	4.082	4.460	3/4	2 1/8	3 1/4	1 1/4	3.22	50	60B50	11.945	12.370	1 1/8	2 3/4	4 1/4	1 1/4	16.40										
18	60B18	4.319	4.700	3/4	2 3/8	3 1/2	1 1/4	3.72	51	60B51	12.183	12.610	1 1/8	2 3/4	4 1/4	1 1/4	16.90										
19	60B19	4.557	4.950	3/4	2 3/8	3 1/2	1 1/4	3.92	52	60B52	12.422	12.850	1 1/8	2 3/4	4 1/4	1 1/4	17.43										
20	60B20	4.794	5.190	3/4	2 3/4	3 7/8	1 1/4	4.63	53	60B53	12.660	13.090	1 1/8	2 3/4	4 1/4	1 1/4	17.99										
21	60B21	5.033	5.430	3/4	2 3/4	4	1 1/4	5.00	54	60B54	12.899	13.330	1 1/8	2 3/4	4 1/4	1 1/4	20.60										
22	60B22	5.270	5.670	3/4	2 3/4	4	1 1/4	5.25	55	60B55	13.137	13.570	1 1/4	2 3/4	4 1/4	1 1/4	21.14										
23	60B23	5.508	5.910	3/4	2 3/4	4	1 1/4	5.48	56	60B56	13.376	13.810	1 1/4	2 3/4	4 1/4	1 1/4	21.88										
24	60B24	5.746	6.150	3/4	2 3/4	4	1 1/4	5.78	57	60B57	13.615	14.040	1 1/4	2 3/4	4 1/4	1 1/4	22.26										
25	60B25	5.984	6.390	3/4	2 3/4	4	1 1/4	6.13	58	60B58	13.853	14.280	1 1/4	2 3/4	4 1/4	1 1/4	22.80										
26	60B26	6.222	6.630	3/4	2 3/4	4	1 1/4	6.38	59	60B59	14.092	14.520	1 1/4	2 3/4	4 1/4	1 1/4	23.86										
27	60B27	6.461	6.870	3/4	2 3/4	4	1 1/4	6.72	60	60B60	14.330	14.760	1 1/4	2 3/4	4 1/4	1 1/4	25.22										
28	60B28	6.698	7.110	3/4	2 3/4	4	1 1/4	6.88	64	60B64	15.285	15.720	1 1/4	2 3/4	4 1/4	1 1/4	27.40										
29	60B29	6.937	7.350	3/4	2 3/4	4	1 1/4	7.28	65	60B65	15.524	15.960	1 1/4	2 3/4	4 1/4	1 1/4	28.92										
30	60B30	7.175	7.590	3/4	2 3/4	4	1 1/4	7.58	66	60B66	15.762	16.190	1 1/4	2 3/4	4 1/4	1 1/4	30.10										
31	60B31	7.413	7.830	3/4	2 3/4	4	1 1/4	7.72	68	60B68	16.240	16.670	1 1/4	2 3/4	4 1/4	1 1/4	30.38										
32	60B32	7.652	8.070	3/4	2 3/4	4	1 1/4	8.26	70	60B70	16.717	17.150	1 1/4	2 3/4	4 1/4	1 1/4	31.98										
33	60B33	7.890	8.300	1	2 3/4	4	1 1/4	8.42	72	60B72	17.195	17.630	1 1/4	2 3/4	4 1/4	2	34.18										
34	60B34	8.129	8.540	1	2 3/4	4	1 1/4	8.80	76	60B76	18.149	18.580	1 1/4	2 3/4	4 1/4	2	38.06										
35	60B35	8.367	8.780	1	2 3/4	4	1 1/4	9.04	80	60B80	19.103	19.540	1 1/4	2 3/4	4 1/4	2	41.88										
36	60B36	8.606	9.020	1	2 3/4	4	1 1/4	9.60	84	60B84	20.058	20.490	1 1/4	3 1/4	4 1/4	2	46.46										
37	60B37	8.844	9.260	1	2 3/4	4	1 1/4	10.24	90	60B90	21.491	21.930	1 1/4	3 1/4	5	2 1/4	63.20										
38	60B38	9.083	9.500	1	2 3/4	4 1/4	1 1/4	10.84	96	60B96	22.922	23.360	1 1/4	3 1/4	5 1/2	2 1/4	65.08										
39	60B39	9.321	9.740	1	2 3/4	4 1/4	1 1/4	11.36	112	60B112	26.741	27.180	1 1/4	3 1/4	5 1/2	2 1/4	81.78										
40	60B40	9.560	9.980	1	2 3/4	4 1/4	1 1/4	11.50																			

NO 60 STOCK SPROCKETS 3/4" PITCH



Sprockets shown in shaded areas are supplied standard with Hardened Teeth.

*Has recessed groove in hub for chain clearance. Refer to B or BS type on page for recessed hub dimensions.

All sprockets shown up to the maximum bore accommodate a standard keyway with a set screw over the keyway and a second set screw at 90 degrees. Larger bores are possible with no keyway, or set screws at an angle to the key way

Double-Type B&C

Triple-Type B&C (Dimension, in.)

No. Of Teeth	Catalog Num.	Pitch Dia Do	Outside Dia Do	Type	Double Type B-Type C					Catalog Num.	Type	Triple Type B-Type C				
					Bore d		Hub		Wt (App) (lbs)			Bore d		Hub		Wt (App) (lbs)
					Min	Max	Do	L				Min	Max	Do	L	
11	D60B11	2.663	3.000	B	1	1 1/4	1 1/8	2 1/8	1.62	T60B11	B	1	1 1/4	1 1/8	3	2.5
12	D60B12	2.898	3.250	B	1	1 1/8	2 1/8	2 1/8	2.20	T60B12	B	1	1 1/8	2 1/8	3	3.3
13	D60B13	3.134	3.490	B	1	1 1/2	2 1/2	2 1/8	2.60	T60B13	B	1	1 1/2	2 1/2	3	3.9
14	D60B14	3.371	3.740	B	1	1 3/4	2 3/4	2 1/8	3.24	T60B14	B	1	1 3/4	2 3/4	3	4.5
15	D60B15	3.608	3.980	B	1	1 7/8	2 7/8	2 1/8	3.96	T60B15	B	1	1 7/8	2 7/8	3	5.4
16	D60B16	3.845	4.220	B	1	2	3	2 1/8	4.62	T60B16	B	1	2	3	3	6.5
17	D60B17	4.082	4.460	B	1	2 1/8	3 1/2	2 1/8	5.40	T60B17	B	1	2 1/8	3 1/2	3	7.7
18	D60B18	4.319	4.700	B	1	2 1/4	3 1/2	2 1/8	6.24	T60B18	B	1	2 1/4	3 1/2	3	8.5
19	D60B19	4.557	4.950	B	1	2 1/2	3 11/8	2 1/8	7.00	T60B19	B	1	2 1/2	3 11/8	3	10.0
20	D60B20	4.794	5.190	B	1	2 3/4	3 3/4	2 1/8	7.72	T60B20	B	1	2 3/4	3 3/4	3	11.2
21	D60B21	5.033	5.430	B	1	2 3/4	4 1/8	2 1/8	8.82	T60B21	B	1	2 3/4	4 1/8	3	12.5
22	D60B22	5.270	5.670	B	1	2 3/4	4 1/4	2 1/8	9.68	T60B22	B	1	2 3/4	4 1/4	3	13.2
23	D60B23	5.508	5.910	B	1	2 3/4	4 1/2	2 1/8	10.30	T60B23	B	1	2 3/4	4 1/2	3	14.6
24	D60B24	5.746	6.150	B	1	2 3/4	4 1/2	2 1/8	11.14	T60B24	B	1	2 3/4	4 1/2	3	15.8
25	D60B25	5.984	6.390	B	1	2 3/4	4 1/2	2 1/8	11.96	T60B25	B	1	2 3/4	4 1/2	3	17.0
26	D60B26	6.222	6.630	B	1	2 3/4	4 1/2	2 1/8	12.70	T60B26	B	1	2 3/4	4 1/2	3	18.6
30	D60B30	7.175	7.590	B	1	2 3/4	4 1/2	2 1/8	16.36	T60B30	B	1	2 3/4	4 1/2	3	23.2
32	D60B32	7.652	8.070	B	1 1/4	3	4 1/2	2 1/8	19.52	T60B32	B	1	2 3/4	4 1/2	3	
35	D60B35	8.367	8.780	B	1 1/4	3	4 1/2	2 1/8	22.80	T60B35	B	1 1/4	3	4 1/2	3 1/2	34.5
36	D60B36	8.606	9.020	B	1 1/4	3	4 1/2	2 1/8	23.82	T60B36	B	1 1/4	3	4 1/2	3 1/2	37.0
40	D60B40	9.560	9.980	B	1 1/4	3 1/4	4 3/4	2 1/8	30.84	T60B40	B	1 1/4	3 1/4	4 3/4	3 3/8	
42	D60B42	10.037	10.460	B	1 1/4	3 1/4	4 3/4	2 1/8	33.08	T60B42	B	1 1/4	3 1/4	4 3/4	3 3/8	49.0
45	D60B45	10.750	11.180	B	1 1/4	3 1/4	4 3/4	2 1/8	37.08	T60B45	B	1 1/4	3 1/4	4 3/4	3 3/8	57.0
52	D60B52	12.422	12.850	B	1 1/4	3 1/4	4 3/4	2 1/8	48.70	T60C52	C	1 1/4	3 1/4	4 3/4	3 1/2	73.0
60	D60B60	14.330	14.760	B	1 1/4	3 1/4	4 3/4	2 1/8	63.10	T60C60	C	1 1/4	3 1/4	4 3/4	3 1/2	76.6
68	D60C68	16.240	16.670	C	1 1/4	3 3/8	5	3	53.68	T60C68	C	1 1/4	3 3/8	5	3 1/2	80.0
72	D60C72	17.195	17.630	C	1 1/4	3 3/8	5	3	53.74	T60C72	C	1 1/4	3 3/8	5	3 1/2	82.0
76	D60C76	18.149	18.580	C	1 1/4	3 3/8	5	3	60.28	T60C76	C	1 1/4	3 3/8	5 1/2	3 1/2	85.0
95	D60C95	22.683	23.120	C	1 1/4	3 3/4	5 1/2	3 1/2	87.14	T60C95	C	1 1/2	3 3/4	5 1/2	4	105.0

TRITAN

PRECISION SPROCKETS

YOUR LINK TO QUALITY.

NO 80 STOCK SPROCKETS 1" PITCH

BORED TO SIZE

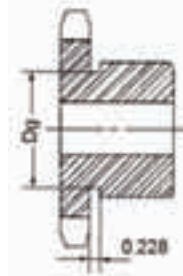
Single-Type BS

(Dimension, in.)

No. Teeth	Catalog Num.	Outside Dia.	Length Thru	Wt. (App.) (lbs.)	Stock Finished Bore/Includes Keyway and Setscrew															
9	80BS9	3.350	1.8	1.6	1	1.8	1.8	1.8	1.8											
10	80BS10	3.680	1.8	1.7	1	1.8	1.8	1.8	1.8											
10	80BS10W	3.680	1.8	1.7					1.8											
11	80BS11	4.010	1.8	1.8	1	1.8	1.8	1.8	1.8	1.8	1.8	1.8	1.8							
11	80BS11W	4.010	1.8	1.8					1.8											
12	80BS12	4.330	1.8	3.0	1	1.8	1.8	1.8	1.8	1.8	1.8	1.8	1.8	1.8	1.8					
12	80BS12W	4.330	1.8	3.0					1.8											
13	80BS13	4.660	1.7	3.5	1	1.8	1.8	1.8	1.8	1.8	1.8	1.8	1.8	1.8	1.8	1.8	1.8	1.8	1.8	2
14	80BS14	4.980	1.7	4.1	1	1.8	1.8	1.8	1.8	1.8	1.8	1.8	1.8	1.8	1.8	1.8	1.8	1.8	1.8	2
15	80BS15	5.300	1.7	5.2	1	1.8	1.8	1.8	1.8	1.8	1.8	1.8	1.8	1.8	1.8	1.8	1.8	1.8	1.8	2
15	80BS15W	5.300	1.7	5.3					1.8											
16	80BS16	5.630	1.7	5.5	1	1.8	1.8	1.8	1.8	1.8	1.8	1.8	1.8	1.8	1.8	1.8	1.8	1.8	1.8	2
17	80BS17	5.950	1.7	6.0	1	1.8	1.8	1.8	1.8	1.8	1.8	1.8	1.8	1.8	1.8	1.8	1.8	1.8	1.8	2
18	80BS18	6.270	1.7	6.5	1	1.8	1.8	1.8	1.8	1.8	1.8	1.8	1.8	1.8	1.8	1.8	1.8	1.8	1.8	2
18	80BS18W	6.270	1.7	6.0					1.8											
19	80BS19	6.590	1.7	7.0	1	1.8	1.8	1.8	1.8	1.8	1.8	1.8	1.8	1.8	1.8	1.8	1.8	1.8	1.8	2
20	80BS20	6.910	1.7	8.0	1	1.8	1.8	1.8	1.8	1.8	1.8	1.8	1.8	1.8	1.8	1.8	1.8	1.8	1.8	2
21	80BS21	7.240	1.8	8.9	1	1.8	1.8	1.8	1.8	1.8	1.8	1.8	1.8	1.8	1.8	1.8	1.8	1.8	1.8	2
22	80BS22	7.560	1.8	9.5	1	1.8	1.8	1.8	1.8	1.8	1.8	1.8	1.8	1.8	1.8	1.8	1.8	1.8	1.8	2
23	80BS23	7.880	1.8	10.2	1	1.8	1.8	1.8	1.8	1.8	1.8	1.8	1.8	1.8	1.8	1.8	1.8	1.8	1.8	2
24	80BS24	8.200	1.8	10.8	1	1.8	1.8	1.8	1.8	1.8	1.8	1.8	1.8	1.8	1.8	1.8	1.8	1.8	1.8	2
25	80BS25	8.520	1.8	11.4	1	1.8	1.8	1.8	1.8	1.8	1.8	1.8	1.8	1.8	1.8	1.8	1.8	1.8	1.8	2
26	80BS26	8.840	2	14.0					1.8	1.8	1.8	1.8	1.8	1.8	1.8	1.8	1.8	1.8	1.8	2
27	80BS27	9.160	2	14.7					1.8	1.8	1.8	1.8	1.8	1.8	1.8	1.8	1.8	1.8	1.8	2
28	80BS28	9.480	2	15.3					1.8	1.8	1.8	1.8	1.8	1.8	1.8	1.8	1.8	1.8	1.8	2
29	80BS29	9.800	2	16.4					1.8	1.8	1.8	1.8	1.8	1.8	1.8	1.8	1.8	1.8	1.8	2
30	80BS30	10.110	2	16.7					1.8	1.8	1.8	1.8	1.8	1.8	1.8	1.8	1.8	1.8	1.8	2
31	80BS31	10.430	2	18.0					1.8	1.8	1.8	1.8	1.8	1.8	1.8	1.8	1.8	1.8	1.8	2
32	80BS32	10.750	2	18.8					1.8	1.8	1.8	1.8	1.8	1.8	1.8	1.8	1.8	1.8	1.8	2
33	80BS33	11.070	2	18.9					1.8	1.8	1.8	1.8	1.8	1.8	1.8	1.8	1.8	1.8	1.8	2
34	80BS34	11.390	2	20.6					1.8	1.8	1.8	1.8	1.8	1.8	1.8	1.8	1.8	1.8	1.8	2
35	80BS35	11.710	2	21.4					1.8	1.8	1.8	1.8	1.8	1.8	1.8	1.8	1.8	1.8	1.8	2
36	80BS36	12.030	2	22.4					1.8	1.8	1.8	1.8	1.8	1.8	1.8	1.8	1.8	1.8	1.8	2
37	80BS37	12.350	2	23.9					1.8	1.8	1.8	1.8	1.8	1.8	1.8	1.8	1.8	1.8	1.8	2
38	80BS38	12.670	2	24.0					1.8	1.8	1.8	1.8	1.8	1.8	1.8	1.8	1.8	1.8	1.8	2
39	80BS39	12.990	2	24.9					1.8	1.8	1.8	1.8	1.8	1.8	1.8	1.8	1.8	1.8	1.8	2
40	80BS40	13.310	2	26.0					1.8	1.8	1.8	1.8	1.8	1.8	1.8	1.8	1.8	1.8	1.8	2
41	80BS41	13.630	2	27.1					1.8	1.8	1.8	1.8	1.8	1.8	1.8	1.8	1.8	1.8	1.8	2
42	80BS42	13.940	2	28.0					1.8	1.8	1.8	1.8	1.8	1.8	1.8	1.8	1.8	1.8	1.8	2
43	80BS43	14.260	2	29.3					1.8	1.8	1.8	1.8	1.8	1.8	1.8	1.8	1.8	1.8	1.8	2
44	80BS44	14.580	2	30.2					1.8	1.8	1.8	1.8	1.8	1.8	1.8	1.8	1.8	1.8	1.8	2
45	80BS45	14.900	2	31.3					1.8	1.8	1.8	1.8	1.8	1.8	1.8	1.8	1.8	1.8	1.8	2
46	80BS46	15.220	2	32.4					1.8	1.8	1.8	1.8	1.8	1.8	1.8	1.8	1.8	1.8	1.8	2
47	80BS47	15.540	2	33.3					1.8	1.8	1.8	1.8	1.8	1.8	1.8	1.8	1.8	1.8	1.8	2
48	80BS48	15.860	2	34.8					1.8	1.8	1.8	1.8	1.8	1.8	1.8	1.8	1.8	1.8	1.8	2
49	80BS49	16.180	2	35.1					1.8	1.8	1.8	1.8	1.8	1.8	1.8	1.8	1.8	1.8	1.8	2
50	80BS50	16.500	2	36.6					1.8	1.8	1.8	1.8	1.8	1.8	1.8	1.8	1.8	1.8	1.8	2
51	80BS51	16.810	2	38.5					1.8	1.8	1.8	1.8	1.8	1.8	1.8	1.8	1.8	1.8	1.8	2
52	80BS52	17.130	2	40.3					1.8	1.8	1.8	1.8	1.8	1.8	1.8	1.8	1.8	1.8	1.8	2
53	80BS53	17.450	2	42.2					1.8	1.8	1.8	1.8	1.8	1.8	1.8	1.8	1.8	1.8	1.8	2
54	80BS54	17.770	2	44.0					1.8	1.8	1.8	1.8	1.8	1.8	1.8	1.8	1.8	1.8	1.8	2
55	80BS55	18.090	2	46.3					1.8	1.8	1.8	1.8	1.8	1.8	1.8	1.8	1.8	1.8	1.8	2
56	80BS56	18.410	2	47.3					1.8	1.8	1.8	1.8	1.8	1.8	1.8	1.8	1.8	1.8	1.8	2
57	80BS57	18.730	2	48.9					1.8	1.8	1.8	1.8	1.8	1.8	1.8	1.8	1.8	1.8	1.8	2
58	80BS58	19.040	2	50.6					1.8	1.8	1.8	1.8	1.8	1.8	1.8	1.8	1.8	1.8	1.8	2
59	80BS59	19.360	2	52.2					1.8	1.8	1.8	1.8	1.8	1.8	1.8	1.8	1.8	1.8	1.8	2
60	80BS60	19.680	2	58.8					1.8	1.8	1.8	1.8	1.8	1.8	1.8	1.8	1.8	1.8	1.8	2



Type BS



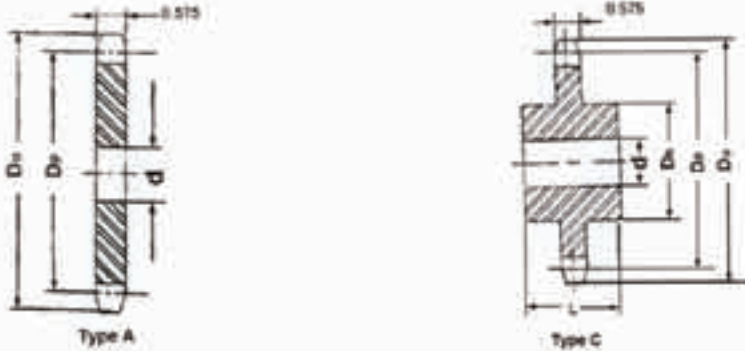
Type B

Sprockets shown in shaded areas are supplied standard with Hardened Teeth.

Sprockets with 8-12 teeth have a recessed groove in hub for chain clearance. Refer to tables for type B on page 60 for hub and recess dimensions.

Unless indicated, all sprockets shown accommodate a standard keyway with a setscrew over the keyway and a second setscrew at 90 degrees. Larger bores are possible with no keyway, shallow keyway, or setscrews at an angle to the keyway.

NO 80 STOCK SPROCKETS 1" PITCH



Sprockets shown in shaded areas are supplied standard with Hardened Teeth.

Single-Type A

(Dimension, in.)

No Of Teeth	Catalog Num.	Pitch Dia Dp	Outside Dia Do	A Type A		No Of Teeth	Catalog Num.	Pitch Dia Dp	Outside Dia Do	A Type A	
				Bore d	Wt (App) (lbs)					Bore d	Wt (App) (lbs)
8	80A8	2.613	3.010	1.125	0.7	39	80A39	12.428	12.950	1.125	17.9
9	80A9	2.924	3.350	1.125	0.8	40	80A40	12.746	13.310	1.125	18.9
10	80A10	3.236	3.680	1.125	1.0	41	80A41	13.064	13.630	1.125	21.0
11	80A11	3.550	4.010	1.125	1.3	42	80A42	13.382	13.940	1.125	21.8
12	80A12	3.864	4.330	1.125	1.5	43	80A43	13.700	14.260	1.125	23.6
13	80A13	4.179	4.660	1.125	1.8	44	80A44	14.018	14.580	1.125	24.3
14	80A14	4.494	4.980	1.125	2.2	45	80A45	14.336	14.900	1.125	25.2
15	80A15	4.810	5.300	1.125	2.5	46	80A46	14.654	15.220	1.125	26.0
16	80A16	5.126	5.630	1.125	2.9	47	80A47	14.972	15.540	1.125	26.4
17	80A17	5.442	5.950	1.125	3.3	48	80A48	15.290	15.860	1.125	27.8
18	80A18	5.759	6.270	1.125	3.7	49	80A49	15.608	16.180	1.125	28.9
19	80A19	6.075	6.590	1.125	4.1	50	80A50	15.926	16.500	1.125	30.9
20	80A20	6.392	6.910	1.125	4.7	51	80A51	16.244	16.810	1.125	32.2
21	80A21	6.710	7.240	1.125	4.9	52	80A52	16.562	17.130	1.125	33.0
22	80A22	7.027	7.560	1.125	5.5	53	80A53	16.880	17.450	1.125	34.9
23	80A23	7.344	7.880	1.125	6.3	54	80A54	17.198	17.770	1.125	36.6
24	80A24	7.661	8.200	1.125	6.7	55	80A55	17.516	18.090	1.125	37.5
25	80A25	7.979	8.520	1.125	7.2	56	80A56	17.835	18.410	1.125	39.4
26	80A26	8.296	8.840	1.125	7.8	57	80A57	18.153	18.730	1.125	40.4
27	80A27	8.614	9.160	1.125	8.6	58	80A58	18.471	19.040	1.125	41.3
28	80A28	8.931	9.480	1.125	9.3	59	80A59	18.789	19.360	1.125	42.9
29	80A29	9.249	9.800	1.125	9.8	60	80A60	19.107	19.680	1.125	45.3
30	80A30	9.567	10.110	1.125	10.7	65	80A65	20.698	21.270	1.125	52.2
31	80A31	9.884	10.430	1.125	11.3	70	80A70	22.289	22.870	1.125	59.8
32	80A32	10.202	10.750	1.125	12.1	72	80A72	22.926	23.500	1.125	65.7
33	80A33	10.520	11.070	1.125	13.6	76	80A76	24.198	24.780	1.125	70.2
34	80A34	10.838	11.390	1.125	14.3	80	80A80	25.471	26.050	1.125	79.6
35	80A35	11.156	11.710	1.125	14.8	84	80A84	26.744	27.330	1.125	86.1
36	80A36	11.471	12.030	1.125	16.1	90	80A90	28.654	29.240	1.125	101
37	80A37	11.792	12.350	1.125	16.8	96	80A96	30.563	31.150	1.125	120
38	80A38	12.110	12.670	1.125	17.2	112	80A112	35.655	36.240	1.125	165

Single-Type C

(Dimension, in.)

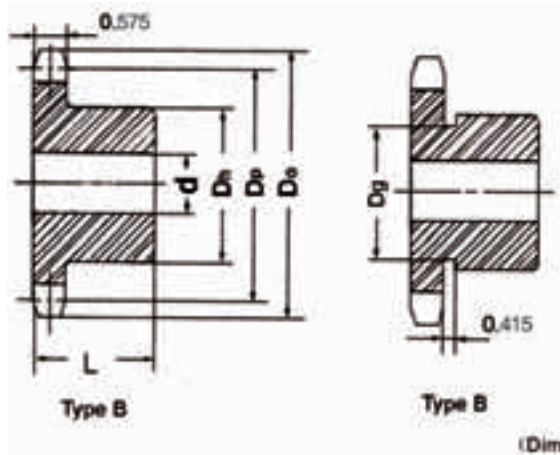
No Of Teeth	Catalog Num.	Pitch Dia Dp	Outside Dia Do	C Type C					No Of Teeth	Catalog Num.	Pitch Dia Dp	Outside Dia Do	C Type C				
				Bore d		Hub		Wt (App) (lbs)					Bore d		Hub		Wt (App) (lbs)
				Min	Max	Oh	L						Min	Max	Oh	L	
11	80C11	3.550	4.010	1	1.5	2.75	2.1	3.87	70	80C70	22.289	22.870	1.125	4.1	6.1	3.12	75.7
12	80C12	3.864	4.330	1	1.75	3.1	2.1	4.31	72	80C72	22.926	23.500	1.125	4.1	6.1	3.12	81.4
13	80C13	4.179	4.660	1	2	3.1	2.1	5.32	76	80C76	24.198	24.780	1.125	4.1	6.1	3.12	87.8
14	80C14	4.494	4.980	1	2.1	3.1	2.1	6.44	80	80C80	25.471	26.050	1.125	4.1	6.1	3.12	89.9
15	80C15	4.810	5.300	1	2.12	3.1	2.1	7.75	84	80C84	26.744	27.330	1.125	4.1	6.1	3.12	99.2
16	80C16	5.126	5.630	1	2.1	4	2.1	8.81	90	80C90	28.654	29.240	1.125	4.1	6.1	3.12	106
									96	80C96	30.563	31.150	1.125	4.1	6.1	3.12	117
									112	80C112	35.655	36.240	1.125	4.1	6.1	3.12	154

TRITAN

PRECISION SPROCKETS

YOUR LINK TO QUALITY.

NO 80 STOCK SPROCKETS 1" PITCH



Sprockets shown in shaded areas are supplied standard with Hardened Teeth.

*Has recessed groove in hub for chain clearance. Groove diameter Dg is indicated below:
 8 teeth - 1.437"
 9 teeth - 1.756"
 10 teeth - 2.067"
 11 teeth - 2.381"
 12 teeth - 2.695"

Single-Type B

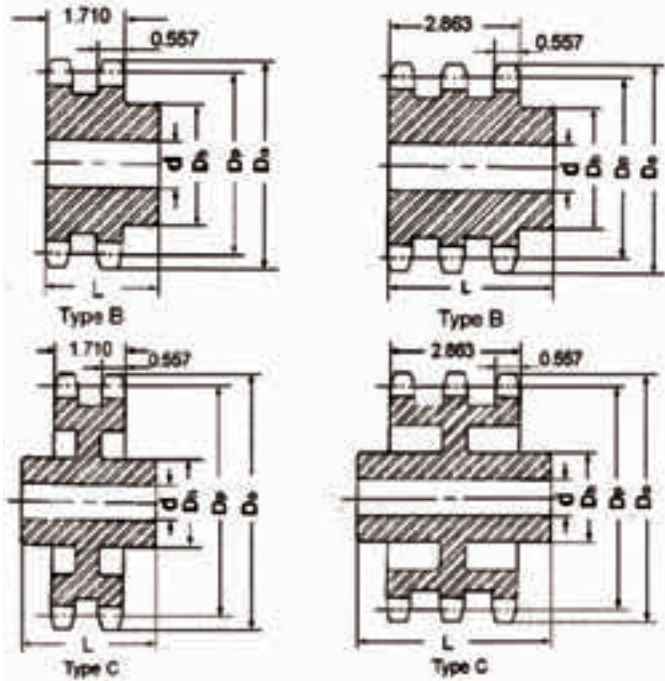
Type B

Type B

(Dimension in)

No Of Teeth	Catalog Num.	Pitch Dia Dp	Outside Dia Do	B Type B					Bw Type BW	No Of Teeth	Catalog Num.	Pitch Dia Dp	Outside Dia Do	B Type B					Bw Type BW
				Bore d		Hub		Wt(App) (lbs)						Bore d		Hub		Wt(App) (lbs)	
				Min	Max	Dh	L							Min	Max	Dh	L		
8	80B8	2.613	3.010	1	1	1 1/16	1 1/8	1.4	36	80B36	11.471	12.030	1 3/16	3 1/4	4 3/4	2	23.1		
9	80B9	2.924	3.350	1	1 1/16	2 1/16	1 1/8	1.6	37	80B37	11.792	12.350	1 3/16	3 1/4	4 3/4	2	23.8		
10	80B10	3.236	3.680	1	1 1/8	2 1/8	1 1/4	2.2	38	80B38	12.110	12.670	1 3/16	3 1/4	4 3/4	2	24.7		
11	80B11	3.550	4.010	1	1 1/4	2 1/4	1 1/2	3.2	39	80B39	12.428	12.990	1 3/16	3 1/4	4 3/4	2	25.6		
12	80B12	3.864	4.330	1	1 3/8	3 1/8	1 3/4	3.4	40	80B40	12.746	13.310	1 3/16	3 1/4	4 3/4	2	26.7		
13	80B13	4.179	4.660	1	2	3	1 7/8	3.5	41	80B41	13.064	13.630	1 1/4	3 1/4	4 3/4	2	27.8		
14	80B14	4.494	4.980	1	2 1/4	3 1/4	1 7/8	4.1	42	80B42	13.382	13.940	1 1/4	3 1/4	4 3/4	2	28.7		
15	80B15	4.810	5.300	1	2 1/2	3 1/2	1 7/8	5.3	43	80B43	13.700	14.260	1 1/4	3 1/4	4 3/4	2	29.4		
16	80B16	5.126	5.630	1	2 3/4	4	1 7/8	5.9	44	80B44	14.018	14.580	1 1/4	3 1/4	4 3/4	2	29.9		
17	80B17	5.442	5.950	1	2 3/4	4	1 7/8	6.6	45	80B45	14.336	14.900	1 1/4	3 1/4	4 3/4	2	31.4		
18	80B18	5.759	6.270	1	2 3/4	4 1/4	1 7/8	7.3	46	80B46	14.654	15.220	1 1/4	3 1/4	4 3/4	2	33.1		
19	80B19	6.076	6.590	1	2 3/4	4 1/4	1 7/8	7.8	47	80B47	14.972	15.540	1 1/4	3 1/4	4 3/4	2	34.0		
20	80B20	6.392	6.910	1	2 3/4	4 1/4	1 7/8	8.4	48	80B48	15.290	15.860	1 1/4	3 1/4	4 3/4	2	35.5		
21	80B21	6.710	7.240	1	2 3/4	4 1/4	1 3/4	9.4	49	80B49	15.608	16.180	1 1/4	3 1/4	4 3/4	2	35.8		
22	80B22	7.027	7.560	1	2 3/4	4 1/4	1 3/4	10.0	50	80B50	15.926	16.500	1 1/4	3 1/4	4 3/4	2	37.3		
23	80B23	7.344	7.880	1	2 3/4	4 1/4	1 3/4	10.7	51	80B51	16.244	16.810	1 1/4	3 1/4	4 3/4	2	38.6		
24	80B24	7.661	8.200	1	2 3/4	4 1/4	1 3/4	11.3	52	80B52	16.562	17.130	1 1/4	3 1/4	4 3/4	2	39.4		
25	80B25	7.979	8.520	1	2 3/4	4 1/4	1 3/4	11.9	53	80B53	16.880	17.450	1 1/4	3 1/4	4 3/4	2	41.3		
26	80B26	8.296	8.840	1 1/4	3 1/4	4 3/4	2	14.3	54	80B54	17.198	17.770	1 1/4	3 1/2	5 1/4	2	44.7		
27	80B27	8.614	9.160	1 1/4	3 1/4	4 3/4	2	15.4	55	80B55	17.516	18.090	1 1/4	3 1/2	5 1/4	2	45.6		
28	80B28	8.931	9.480	1 1/4	3 1/4	4 3/4	2	16.0	56	80B56	17.835	18.410	1 1/4	3 1/2	5 1/4	2	47.5		
29	80B29	9.249	9.800	1 3/16	3 1/4	4 3/4	2	17.1	57	80B57	18.153	18.730	1 1/4	3 1/2	5 1/4	2	48.5		
30	80B30	9.567	10.110	1 3/16	3 1/4	4 3/4	2	17.4	58	80B58	18.471	19.040	1 1/4	3 1/2	5 1/4	2	50.5		
31	80B31	9.884	10.430	1 3/16	3 1/4	4 3/4	2	18.7	59	80B59	18.789	19.360	1 1/4	3 1/2	5 1/4	2	52.1		
32	80B32	10.202	10.750	1 3/16	3 1/4	4 3/4	2	19.5	60	80B60	19.107	19.680	1 1/4	3 1/2	5 1/4	2	54.5		
33	80B33	10.520	11.070	1 3/16	3 1/4	4 3/4	2	19.6	65	80B65	20.698	21.270	1 1/4	3 1/2	5 1/4	2	61.8		
34	80B34	10.838	11.390	1 3/16	3 1/4	4 3/4	2	21.3											
35	80B35	11.156	11.710	1 3/16	3 1/4	4 3/4	2	22.1											

NO 80 STOCK SPROCKETS 1" PITCH



Sprockets shown in shaded areas are supplied standard with Hardened Teeth.

*Has recessed groove in hub for chain clearance. Refer to B or BS type on page 60 for recessed hub dimensions.

All sprockets shown up to the maximum bore accommodate a standard keyway with a set screw over the keyway and a second set screw at 90 degrees. Larger bores are possible with no keyway, or set screws at an angle to the key way

Double-Type B&C

Triple Type B&C (Dimension, in.)

No. Of Teeth	Catalog Num.	Pitch Dia Dp	Outside Dia Do	Type	Double Type B&Type C					Catalog Num.	Type	Triple Type B&Type C				
					Bore Id		Hub		Wt(App) (lbs)			Bore Id		Hub		Wt(App) (lbs)
					Min	Max	Do	L				Min	Max	Do	L	
10	D80B10	3.236	3.680	B	1	1 1/2	2 1/16	2 1/4	3.6	T80B10	B	1	1 1/2	2 1/16	3 1/4	4.4
11	D80B11	3.550	4.010	B	1	1 1/4	2 1/8	2 3/8	4.0	T80B11	B	1	1 1/4	2 1/8	3 1/8	5.9
12	D80B12	3.864	4.330	B	1	1 1/8	2 1/8	2 3/4	5.1	T80B12	B	1	1 1/8	2 1/8	3 1/8	7.5
13	D80B13	4.179	4.660	B	1	2 1/8	3 1/8	2 3/4	6.3	T80B13	B	1	2 1/8	3 1/8	3 1/8	9.2
14	D80B14	4.494	4.980	B	1	2 1/8	3 1/8	2 3/4	7.6	T80B14	B	1	2 1/8	3 1/8	3 1/8	11.0
15	D80B15	4.810	5.300	B	1	2 1/2	3 1/2	2 3/4	9.0	T80B15	B	1	2 1/2	3 1/2	3 1/8	13.1
16	D80B16	5.126	5.630	B	1	2 1/4	4	2 3/4	11.0	T80B16	B	1	2 1/4	4	3 1/8	15.8
17	D80B17	5.442	5.950	B	1	3	4 1/4	2 3/4	13.2	T80B17	B	1	3	4 1/4	3 1/8	18.6
18	D80B18	5.759	6.270	B	1	3 1/8	4 1/2	2 3/4	15.0	T80B18	B	1	3 1/8	4 1/2	3 1/8	21.2
19	D80B19	6.076	6.590	B	1	3 1/8	5	2 3/4	17.0	T80B19	B	1	3 1/8	5	3 1/8	23.7
20	D80B20	6.392	6.910	B	1	3 1/8	5	2 3/4	18.2	T80B20	B	1	3 1/8	5	3 1/8	26.0
21	D80B21	6.710	7.240	B	1	3 1/8	5	2 3/4	19.6	T80B21	B	1	3 1/8	5	3 1/8	28.4
22	D80B22	7.027	7.560	B	1	3 1/8	5	2 3/4	21.0	T80B22	B	1	3 1/8	5	3 1/8	31.0
23	D80B23	7.344	7.880	B	1	3 1/8	5	2 3/4	22.8	T80B23	B	1	3 1/8	5	3 1/8	33.6
24	D80B24	7.661	8.200	B	1	3 1/2	5 1/2	2 3/4	25.1	T80B24	B	1	3 1/2	5 1/2	3 1/8	37.1
25	D80B25	7.979	8.520	B	1	3 1/2	5 1/2	3	28.3	T80B25	B	1	3 1/2	5 1/2	3 1/8	40.1
26	D80B26	8.296	8.840	B	1	3 1/2	5 1/4	3	29.9	T80B26	B	1	3 1/2	5 1/4	3 1/8	42.9
30	D80B30	9.567	10.110	B	1	3 3/4	5 3/4	3	39.5	T80B30	B	1 1/4	3 3/4	5 3/4	4 1/4	54.5
32	D80B32	10.202	10.750	B	1	3 3/4	5 3/4	3	43.8	T80B32	B	1 1/4	3 3/4	5 3/4	4 1/4	64.5
35	D80B35	11.156	11.710	B	1	3 3/4	5 3/4	3	49.1	T80B35	B	1 1/4	3 3/4	5 3/4	4 1/4	79.5
36	D80B36	11.471	12.030	B	1 1/4	3 3/4	5 3/4	3 1/8	54.2	T80B36	B	1 1/4	3 3/4	5 3/4	4 1/4	83.9
42	D80B42	13.382	13.940	B	1 1/4	3 3/4	5 3/4	3 1/8	71.5	T80C42	C	1 1/4	3 3/8	6	4 1/2	84.9
45	D80B45	14.336	14.900	B	1 1/4	3 3/4	5 3/4	3 1/8	73.5	T80C45	C	1 1/4	3 3/8	6	4 1/2	92.4
52	D80C52	16.562	17.130	C	1 1/2	3 3/4	5 3/4	3 3/4	78.4	T80C52	C	1 1/2	3 3/8	6	4 1/2	107
60	D80C60	19.107	19.680	C	1 1/2	3 3/4	5 3/4	3 3/4	93.3	T80C60	C	1 1/2	4 1/4	6 1/4	4 3/4	128
68	D80C68	21.653	22.230	C	1 1/2	3 3/8	6	4	96.2	T80C68	C	1 1/2	4 1/4	6 1/4	4 3/4	140
76	D80C76	24.198	24.780	C	1 1/2	3 3/8	6	4	113	T80C76	C	1 1/2	4 1/4	6 1/4	4 3/4	165
95	D80C95	30.245	30.830	C	1 1/2	4	6	4 1/4	165	T80C95	C	1 1/2	4 1/4	6 1/4	5	240

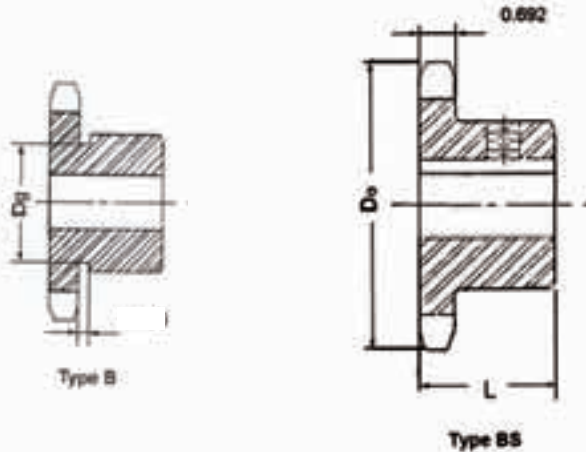
TRITAN

PRECISION SPROCKETS

YOUR LINK TO QUALITY.

NO. 100 STOCK SPROCKETS 1 1/4" PITCH

BORED TO SIZE



Sprockets shown in shaded areas are supplied standard with Hardened Teeth.

Sprockets with 8-12 teeth have a recessed groove in hub for chain clearance. Refer to tables for type B on page 63 for hub and recess dimensions.

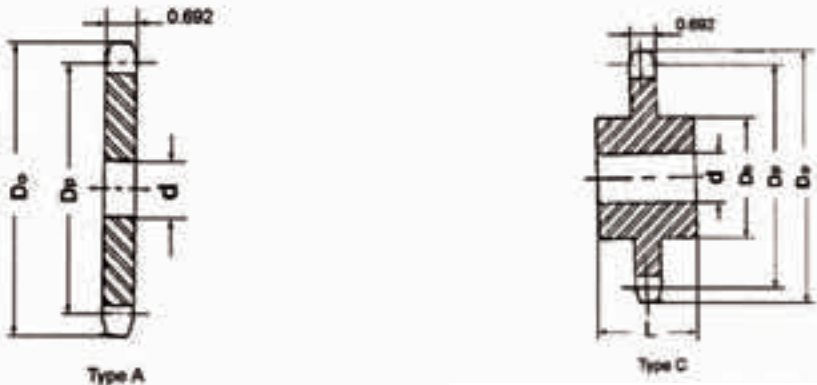
Type B & C sprockets up to the maximum bore indicated are also produced Bore To Size (Type BS) with standard keyway and setscrew over the keyway and a second setscrew at 90 degrees. Larger bores are possible with no keyway, or setscrews at an angle to the keyway.

Single-Type BS

(Dimension, in.)

NO of Teeth	Catalog Num.	Outside Dia Do	Length Thru	Wt (App) (lbs)	Stock Finished Bores (Includes Keyway and Setscrew)						
8	100BS8	3.770	1 1/8	2.8	1	1 1/16	1 1/4				
9	100BS9	4.180	1 1/8	3.0	1	1 1/16	1 1/4	1 7/16			
10	100BS10	4.600	1 1/8	3.9	1	1 1/16	1 1/4	1 7/16			
11	100BS11	5.010	1 1/8	4.9	1	1 1/16	1 1/4	1 7/16	1 15/16	2	2 1/16
12	100BS12	5.420	1 1/8	6.0	1	1 1/16	1 1/4	1 7/16	1 15/16	2	2 1/16
13	100BS13	5.820	1 5/8	6.2	1	1 1/16	1 1/4	1 7/16	1 15/16	2	2 1/16
14	100BS14	6.230	1 5/8	6.6		1 1/4	1 7/16	1 15/16	2	2 1/16	
15	100BS15	6.630	1 3/4	8.4		1 1/4	1 7/16	1 15/16	2	2 1/16	
16	100BS16	7.030	1 3/4	9.0		1 7/16	1 15/16	2	2 1/16	2 7/16	2 15/16
17	100BS17	7.440	1 3/4	9.9		1 7/16	1 15/16	2	2 1/16	2 7/16	2 15/16
18	100BS18	7.840	1 3/4	10.6		1 7/16	1 15/16	2	2 1/16	2 7/16	2 15/16
19	100BS19	8.240	2	12.1		1 7/16	1 15/16	2	2 1/16	2 7/16	2 15/16
20	100BS20	8.640	2	13.2		1 7/16	1 15/16	2	2 1/16	2 7/16	2 15/16
21	100BS21	9.040	2	14.3		1 7/16	1 15/16	2	2 1/16	2 7/16	2 15/16
22	100BS22	9.440	2	15.1		1 7/16	1 15/16	2	2 1/16	2 7/16	2 15/16
23	100BS23	9.840	2	16.1		1 7/16	1 15/16	2	2 1/16	2 7/16	2 15/16
24	100BS24	10.250	2	18.1		1 7/16	1 15/16	2	2 1/16	2 7/16	2 15/16
25	100BS25	10.650	2	18.4		1 7/16	1 15/16	2	2 1/16	2 7/16	2 15/16

NO. 100 STOCK SPROCKETS 1 1/4" PITCH



Sprockets shown in shaded areas are supplied standard with Hardened Teeth.

Sprockets marked with asterisk (*) have a groove at the external circumference of hub. Groove diameter Dg is indicated below:
 8 Teeth - 1.752"
 9 Teeth - 2.169"
 10 Teeth - 2.581"
 11 Teeth - 2.99"
 12 Teeth - 3.399"

Single—Type A

(Dimension, in)

No Of Teeth	Catalog Num	Pitch Dia Dp	Outside Dia Do	Type A		No Of Teeth	Catalog Num	Pitch Dia Dp	Outside Dia Do	Type A	
				Bore, d	Wt(App) (Lbs)					Bore, d	Wt(App) (Lbs)
7	100A7	2.881	3.350	1	1.2	38	100A38	15.138	15.840	1 1/4	33.0
8	100A8	3.266	3.770	1	1.4	39	100A39	15.535	16.230	1 1/4	35.0
9	100A9	3.655	4.180	1	1.6	40	100A40	15.933	16.630	1 1/4	37.0
10	100A10	4.045	4.600	1	2.0	41	100A41	16.330	17.030	1 1/4	39.0
11	100A11	4.438	5.010	1 1/4	2.5	42	100A42	16.728	17.430	1 1/4	40.0
12	100A12	4.830	5.420	1 1/4	3.0	43	100A43	17.125	17.830	1 1/2	43.0
13	100A13	5.224	5.820	1 1/4	3.5	44	100A44	17.523	18.230	1 1/2	45.0
14	100A14	5.618	6.230	1 1/4	4.1	45	100A45	17.920	18.630	1 1/2	47.0
15	100A15	6.013	6.630	1 1/4	4.7	46	100A46	18.318	19.020	1 1/2	49.0
16	100A16	6.408	7.030	1 1/4	5.4	47	100A47	18.715	19.420	1 1/2	52.0
17	100A17	6.803	7.440	1 1/4	6.1	48	100A48	19.113	19.820	1 1/2	54.0
18	100A18	7.199	7.840	1 1/4	7.0	49	100A49	19.510	20.220	1 1/2	56.0
19	100A19	7.595	8.240	1 1/4	7.8	50	100A50	19.908	20.620	1 1/2	57.0
20	100A20	7.990	8.640	1 1/4	8.8	51	100A51	20.305	21.020	1 1/2	63.0
21	100A21	8.388	9.040	1 1/4	9.8	52	100A52	20.703	21.420	1 1/2	64.0
22	100A22	8.784	9.440	1 1/4	10.5	53	100A53	21.100	21.810	1 1/2	66.0
23	100A23	9.180	9.840	1 1/4	11.8	54	100A54	21.498	22.210	1 1/2	68.0
24	100A24	9.576	10.250	1 1/4	12.8	55	100A55	21.895	22.610	1 1/2	70.0
25	100A25	9.974	10.650	1 1/4	13.9	56	100A56	22.294	23.010	1 1/2	72.0
26	100A26	10.370	11.050	1 1/4	15.0	57	100A57	22.691	23.410	1 1/2	74.8
27	100A27	10.768	11.440	1 1/4	16.0	58	100A58	23.089	23.810	1 1/2	76.0
28	100A28	11.164	11.840	1 1/4	17.4	59	100A59	23.486	24.200	1 1/2	78.0
29	100A29	11.561	12.240	1 1/4	19.6	60	100A60	23.884	24.600	1 1/2	80.0
30	100A30	11.959	12.640	1 1/4	20.1	70	100A70	27.861	28.580	1 1/2	113
31	100A31	12.355	13.040	1 1/4	21.5	72	100A72	28.658	29.380	1 1/2	119
32	100A32	12.753	13.440	1 1/4	22.6	76	100A76	30.248	30.973	1 1/2	133
33	100A33	13.150	13.840	1 1/4	24.1	80	100A80	31.839	32.570	1 1/2	146
34	100A34	13.548	14.240	1 1/4	26.0	84	100A84	33.430	34.160	1 1/2	162
35	100A35	13.945	14.640	1 1/4	27.2	90	100A90	35.818	36.550	1 1/2	193
36	100A36	14.343	15.040	1 1/4	30.0	96	100A96	38.204	38.930	1 1/2	215
37	100A37	14.740	15.440	1 1/4	31.0						

Single—Type C

(Dimension, in)

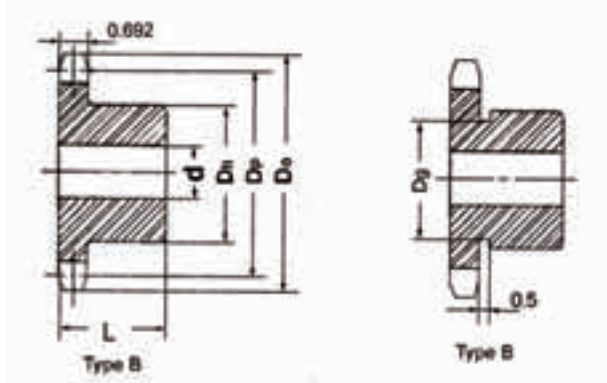
No Of Teeth	Catalog Num	Pitch Dia Dp	Outside Dia Do	Type C		Type CW		No Of Teeth	Catalog Num	Pitch Dia Dp	Outside Dia Do	Type C		Type CW		Wt(App) (Lbs)	
				Bore, d		Hub						Bore, d		Hub			
				Min	Max	Dh	L					Min	Max	Dh	L		
10	100C10	4.045	4.600	1	1 1/8	3 1/2	2 1/8	6.13	60	100C60	23.884	24.600	1 1/2	4	6	3 1/4	89.0
11	100C11	4.438	5.010	1	2 1/4	3 1/2	2 1/8	7.12	70	100C70	27.861	28.580	1 1/2	5 1/4	7	3 3/4	125
12	100C12	4.830	5.420	1	2 1/4	4	2 1/8	8.37	72	100C72	28.658	29.380	1 1/2	5 1/4	7	3 3/4	134
13	100C13	5.224	5.820	1	2 3/8	3 1/2	2 1/8	10.00	76	100C76	30.248	30.973	1 1/2	5 1/4	7	3 3/4	143
14	100C14	5.618	6.230	1 1/4	2 3/4	4 1/8	2 1/8	12.19	80	100C80	31.839	32.570	1 1/2	5 1/4	7	3 3/4	151
									84	100C84	33.430	34.160	1 1/2	5 1/4	7	3 3/4	170
									90	100C90	35.818	36.550	1 1/2	5 1/4	7	3 3/4	184
									96	100C96	38.204	38.930	1 1/2	5 1/4	7	4 1/2	203

TRITAN

PRECISION SPROCKETS

YOUR LINK TO QUALITY.

NO. 100 STOCK SPROCKETS 1 1/2" PITCH



Sprockets shown in shaded areas are supplied standard with Hardened Teeth.

*Has recessed groove in hub for chain clearance. Groove diameter Dg is indicated below:

8 Teeth - 1.752"

9 Teeth - 2.169"

10 Teeth - 2.581"

11 Teeth - 2.991"

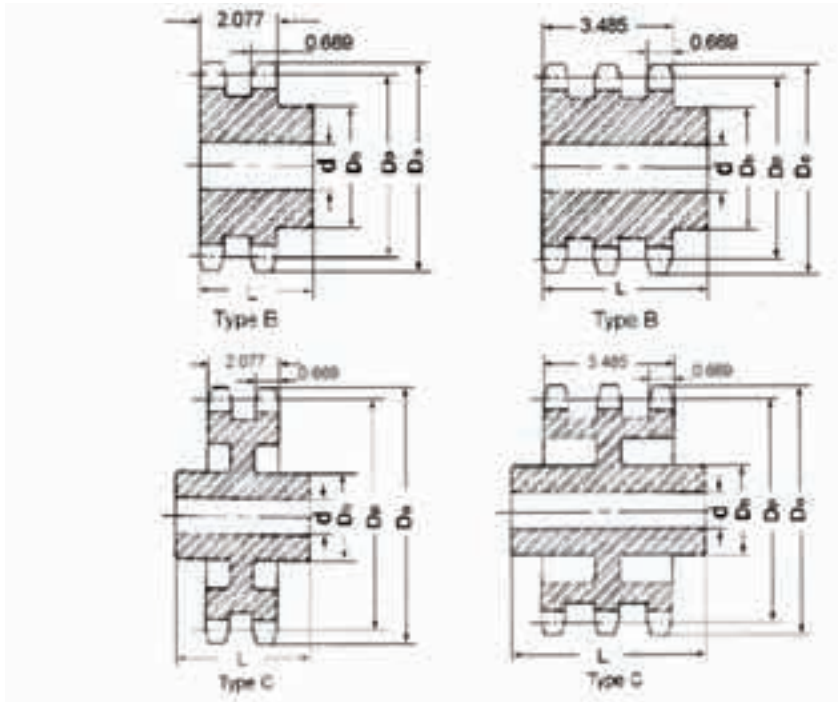
12 Teeth - 3.399"

Single—Type B

(Dimension, in)

No Of Teeth	Catalog Num	Pitch Dia Dp	Outside Dia Do	Type B		Type BW		Wt(App) (Lbs)	No Of Teeth	Catalog Num	Pitch Dia Dp	Outside Dia Do	Type B		Type BW		Wt(App) (Lbs)				
				Bore:d		Hub							Min	Max	Dh	L		Bore:d		Hub	
				Min	Max	Min	Max											Min	Max	Dh	L
8	100B8	3.266	3.770	1	1 1/4	2 7/16	1 7/8	2.3	29	100B29	11.561	12.240	1 1/4	3 5/16	5	2	25.0				
9	100B9	3.655	4.160	1	1 5/8	2 13/16	1 7/8	3.2	30	100B30	11.959	12.640	1 1/4	3 5/16	5	2	26.9				
10	100B10	4.045	4.600	1	1 7/8	3 1/4	1 7/8	4.1	31	100B31	12.355	13.040	1 1/4	3 5/16	5	2	28.2				
11	100B11	4.438	5.010	1	2 1/4	3 9/16	1 7/8	5.3	32	100B32	12.753	13.440	1 1/4	3 5/16	5	2	29.8				
12	100B12	4.830	5.420	1	2 1/2	4	1 7/8	6.4	33	100B33	13.150	13.840	1 1/4	3 5/16	5	2	32.1				
13	100B13	5.224	5.820	1	2 3/4	4 3/8	1 5/8	6.6	34	100B34	13.548	14.240	1 1/4	3 5/16	5	2 1/2	34.5				
14	100B14	5.618	6.230	1 1/4	2 5/4	4 1/2	1 5/8	7.4	35	100B35	13.945	14.640	1 1/4	3 5/16	5	2 1/2	36.9				
15	100B15	6.013	6.630	1 1/4	3	4 1/2	1 3/4	9.2	36	100B36	14.343	15.040	1 1/4	3 5/16	5	2 1/2	38.6				
16	100B16	6.408	7.030	1 5/16	3	4 1/2	1 3/4	9.9	37	100B37	14.740	15.440	1 1/4	3 5/16	5	2 1/2	40.0				
17	100B17	6.803	7.440	1 5/16	3	4 1/2	1 3/4	10.8	38	100B38	15.138	15.840	1 1/4	3 5/16	5	2 1/2	41.5				
18	100B18	7.199	7.840	1 5/16	3	4 1/2	1 3/4	11.5	39	100B39	15.535	16.230	1 1/4	3 5/16	5	2 1/2	43.6				
19	100B19	7.595	8.240	1 5/16	3	4 1/2	2	13.1	40	100B40	15.933	16.630	1 1/4	3 5/16	5	2 1/2	46.9				
20	100B20	7.990	8.640	1 5/16	3	4 1/2	2	14.2	41	100B41	16.330	17.030	1 1/4	3 5/16	5	2 1/2	48.6				
21	100B21	8.388	9.040	1 5/16	3	4 1/2	2	15.3	42	100B42	16.728	17.430	1 1/4	3 5/16	5	2 1/2	50.4				
22	100B22	8.784	9.440	1 5/16	3	4 1/2	2	16.1	43	100B43	17.125	17.830	1 1/2	3 5/16	5	2 1/2	51.6				
23	100B23	9.180	9.840	1 1/4	3	4 1/2	2	17.2	44	100B44	17.523	18.230	1 1/2	3 5/16	5	2 1/2	52.8				
24	100B24	9.576	10.250	1 1/4	3	4 1/2	2	19.2	45	100B45	17.920	18.630	1 1/2	3 5/16	5	2 1/2	54.0				
25	100B25	9.974	10.650	1 1/4	3	4 1/2	2	19.5	46	100B46	18.318	19.020	1 1/2	3 5/16	5	2 1/2	56.0				
26	100B26	10.370	11.050	1 1/4	3 5/16	5	2	21.7	47	100B47	18.715	19.420	1 1/2	3 5/16	5	2 1/2	58.2				
27	100B27	10.768	11.440	1 1/4	3 5/16	5	2	23.0	48	100B48	19.113	19.820	1 1/2	3 5/16	5	2 1/2	61.0				
28	100B28	11.164	11.840	1 1/4	3 5/16	5	2	24.4													

NO. 100 STOCK SPROCKETS 1 1/2" PITCH



Sprockets shown in shaded areas are supplied standard with Hardened Teeth.

*Has recessed groove in hub for chain clearance. Refer to B or BS type on page for recessed hub dimensions.

All sprockets shown up to the maximum bore accommodate a standard keyway with a set screw over the keyway and a second set screw at 90 degrees. Larger bores are possible with no keyway, or set screws at an angle to the key way

Double—Type B & C

Triple—Type B & C

(Dimension, in)

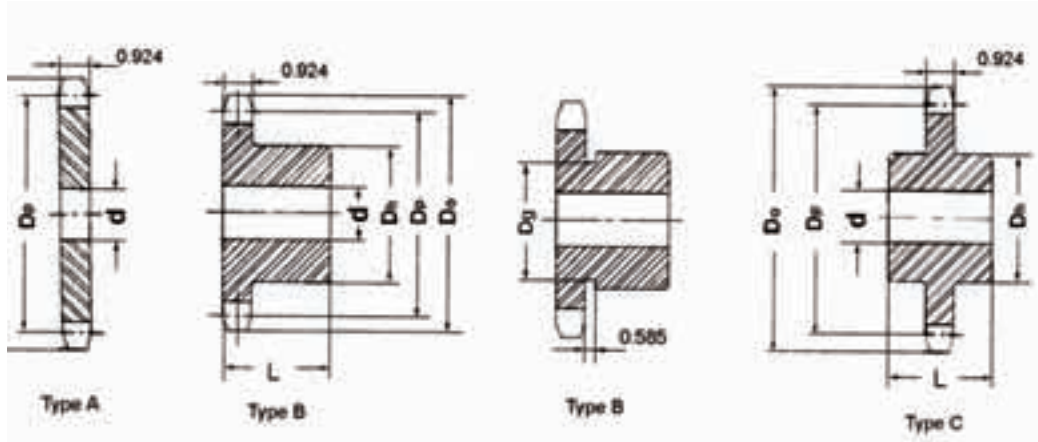
No. Of Teeth	Catalog Num	Pitch Dia Dp	Outside Dia Do	Type	Double Type B & C					Catalog Num	Type	Triple Type B & C				
					Bore d		Hub		Wt (App) (Lbs)			Bore d		Hub		Wt (App) (Lbs)
					Min	Max	Dh	L				Min	Max	Dh	L	
9	D100B9	3.655	4.180	B	1	1 1/8	2 1/8	2 7/8	4.6	T100B9	B	1	1 1/8	2 1/8	4 1/4	8.4
10	D100B10	4.045	4.600	B	1	1 1/8	2 1/4	2 7/8	6.2	T100B10	B	1	1 1/8	2 1/4	4 1/4	10.0
11	D100B11	4.438	5.010	B	1	2 1/8	3 1/8	2 7/8	7.9	T100B11	B	1	2 1/8	3 1/8	4 1/4	11.7
12	D100B12	4.830	5.420	B	1 1/8	2 1/4	3 1/8	2 7/8	9.3	T100B12	B	1 1/8	2 1/4	3 1/8	4 1/4	13.7
13	D100B13	5.224	5.820	B	1 1/8	2 1/2	3 13/16	2 7/8	11.4	T100B13	B	1 1/8	2 1/2	3 13/16	4 1/4	16.9
14	D100B14	5.618	6.230	B	1 1/8	2 3/4	4 1/16	2 7/8	13.6	T100B14	B	1 1/8	2 3/4	4 1/16	4 1/4	20.2
15	D100B15	6.013	6.630	B	1 1/4	3 1/8	4 5/8	3 1/8	17.1	T100B15	B	1 1/4	3 1/8	4 5/8	4 1/2	25.0
16	D100B16	6.408	7.030	B	1 1/4	3 5/16	5	3 1/8	20.1	T100B16	B	1 1/4	3 5/16	5	4 1/2	29.3
17	D100B17	6.803	7.440	B	1 1/4	3 1/2	5 1/4	3 1/8	23.1	T100B17	B	1 1/4	3 1/2	5 1/4	4 1/2	33.8
18	D100B18	7.199	7.840	B	1 1/4	3 1/2	5 1/4	3 1/8	25.4	T100B18	B	1 1/4	3 1/2	5 1/4	4 3/4	38.6
19	D100B19	7.595	8.240	B	1 1/4	3 3/4	5 1/2	3 1/8	29.6	T100B19	B	1 1/4	3 3/4	5 1/2	4 3/4	43.3
20	D100B20	7.990	8.640	B	1 1/4	3 3/4	5 1/2	3 1/8	32.4	T100B20	B	1 1/4	3 3/4	5 1/2	4 3/4	47.9
21	D100B21	8.388	9.040	B	1 1/4	3 3/4	5 1/2	3 1/8	35.3	T100B21	B	1 1/4	3 3/4	5 1/2	4 3/4	52.3
22	D100B22	8.784	9.440	B	1 1/4	3 3/4	5 1/2	3 1/8	38.4	T100B22	B	1 1/4	3 3/4	5 1/2	4 3/4	57.5
23	D100B23	9.180	9.840	B	1 1/4	3 3/4	5 1/2	3 1/8	41.3	T100B23	B	1 1/4	3 3/4	5 1/2	4 3/4	62.5
24	D100B24	9.576	10.250	B	1 1/4	3 3/4	5 1/4	3 1/8	45.1	T100B24	B	1 1/4	3 3/4	5 1/4	4 3/4	69
25	D100B25	9.974	10.650	B	1 1/4	3 3/4	5 1/4	3 1/8	48.5	T100B25	B	1 1/4	3 3/4	5 1/4	4 3/4	73
26	D100B26	10.370	11.050	B	1 1/2	3 3/4	5 1/4	3 1/8	51.5	T100B26	B	1 1/2	3 3/4	5 1/4	4 3/4	79
30	D100B30	11.959	12.640	B	1 1/2	3 3/4	5 1/4	3 1/8	65.0	T100B30	B	1 1/2	3 3/4	5 1/4	4 3/4	103
35	D100C35	13.945	14.640	C	1 1/2	3 13/16	6	4 1/4	75.0	T100C35	C	1 1/2	4	6	5	108
45	D100C45	17.920	18.630	C	1 1/2	3 13/16	6	4 1/2	103	T100C45	C	1 1/2	4	6	5	143
60	D100C60	23.884	24.600	C	1 1/2	5 3/8	7 1/2	5	175	T100C60	C	1 1/2	5 3/8	7 1/2	5	217
70	D100C70	27.861	28.580	C	1 1/2	5 3/8	7 1/2	5	197	T100C70	C	1 1/2	5 3/8	7 1/2	5	262
80	D100C80	31.839	32.570	C	1 1/2	5 3/8	7 1/2	5	231	T100C80	C	1 1/2	5 3/8	7 1/2	5	313

TRITAN

PRECISION SPROCKETS

YOUR LINK TO QUALITY.

NO. 120 STOCK SPROCKETS 1 1/2" PITCH



Sprockets shown in shaded areas are supplied standard with Hardened Teeth.

*Has recessed groove in hub for chain clearance. Groove diameter Dg is indicated below:
9Teeth - 2.619" 10 Teeth - 3.104"

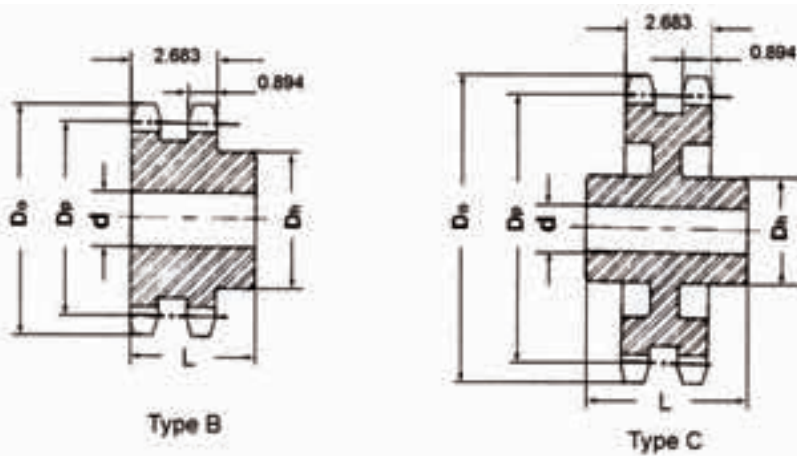
Type B & C sprockets up to the maximum bore indicated are also produced Bore To Size (Type BS) with standard keyway and setscrew over the keyway and a second setscrew at 90 degrees. Larger bores are possible with no keyway, or setscrews at an angle to the keyway.

Single—Type A, B, C

(Dimension, in)

No. of Teeth	Pitch Dia Dp	Outside Dia Do	A Type A			B.BW Type B.BW					C.CW Type C.CW						
			Catalog Num	Bore d	Wt/App (Lbs)	Bore d		Hub		Wt/App (Lbs)	Catalog Num	Bore d		Hub		Wt/App (Lbs)	
						Min	Max	Dh	L			Min	Max	Dh	L		
8	3.920	4.520	120A8	1 1/4	2.4												
9	4.386	5.020	120A9	1 1/4	3.0	120B9	1 3/8	1 1/2	3 1/8	2 1/4	5.3						
10	4.854	5.520	120A10	1 1/4	3.8	120B10	1 3/8	2 1/4	3 1/4	2 1/4	7.1						
11	5.325	6.010	120A11	1 1/4	4.8	120B11	1 3/8	2 3/8	3 5/16	2 1/8	7.6	120C11	1 3/8	2 1/8	3 5/16	3 1/8	12.45
12	5.796	6.500	120A12	1 1/4	5.8	120B12	1 3/8	2 3/4	4 1/8	2 1/8	9.9	120C12	1 3/8	2 3/4	4 1/8	3 1/8	14.80
13	6.269	6.990	120A13	1 1/4	6.7	120B13	1 3/8	3	4 5/16	2 1/4	12.4	120C13	1 3/8	3	4 5/8	3 1/8	17.15
14	6.741	7.470	120A14	1 1/4	8.0	120B14	1 3/8	3 1/4	4 1/4	2 1/4	14.4	120C14	1 3/8	3 1/4	4 1/4	3 1/8	19.50
15	7.215	7.960	120A15	1 1/4	9.1	120B15	1 1/2	3 1/4	4 1/4	2 1/8	16.7						
16	7.869	8.440	120A16	1 1/4	10.6	120B16	1 1/2	3 1/2	5 1/4	2 1/8	19.9						
17	8.163	8.920	120A17	1 1/4	12.6	120B17	1 1/2	3 1/2	5 1/4	2 1/8	20.8						
18	8.639	9.410	120A18	1 1/4	13.6	120B18	1 1/2	3 1/2	5 1/4	2 1/8	22.2						
19	9.114	9.890	120A19	1 1/4	15.1	120B19	1 1/2	3 1/2	5 1/4	2 1/8	24.8						
20	9.588	10.370	120A20	1 1/4	16.9	120B20	1 1/2	3 1/2	5 1/4	2 1/8	25.8						
21	10.065	10.850	120A21	1 1/4	18.7	120B21	1 1/2	3 1/2	5 1/4	2 1/8	26.7						
22	10.541	11.330	120A22	1 1/4	20.0	120B22	1 1/2	3 1/2	5 1/4	2 1/8	28.2						
23	11.016	11.810	120A23	1 1/4	22.1	120B23	1 1/2	3 1/2	5 1/4	2 1/8	30.3						
24	11.492	12.290	120A24	1 1/4	24.8	120B24	1 1/2	3 1/2	5 1/4	2 1/8	32.1						
25	11.969	12.770	120A25	1 1/4	26.8	120B25	1 1/2	3 1/2	5 1/4	2 1/8	34.6						
26	12.444	13.250	120A26	1 1/2	28.3	120B26	1 1/2	4	6	2 1/2	40.0						
27	12.921	13.730	120A27	1 1/2	30.9	120B27	1 1/2	4	6	2 1/2							
28	13.397	14.210	120A28	1 1/2	33.6	120B28	1 1/2	4	6	2 1/2	44.9						
30	14.351	15.170	120A30	1 1/2	39.0	120B30	1 1/2	4	6	2 1/2	50.2						
32	15.303	16.130	120A32	1 1/2	43.9	120B32	1 1/2	4	6	2 1/2	56.0						
33	15.780	16.610	120A33	1 1/2	48.2	120B33	1 1/2	4	6	2 1/2							
34	16.257	17.090	120A34	1 1/2	50	120B34	1 1/2	4	6	2 1/2							
35	16.734	17.570	120A35	1 1/2	52	120B35	1 1/2	4	6	2 1/2	62.4						
36	17.211	18.050	120A36	1 1/2	56	120B36	1 1/2	4	6	2 1/2	66.4						
40	19.119	19.960	120A40	1 1/2	71							120C40	1 1/2	4	6	3 1/4	92.0
42	20.073	20.920	120A42	1 1/2	75							120C42	1 1/2	4	6	3 1/4	98.0
45	21.504	22.350	120A45	1 1/2	88							120C45	1 1/2	4	6	3 1/4	99.2
48	22.935	23.790	120A48	1 1/2	103							120C48	1 1/2	4	6	4	113
54	25.797	26.650	120A54	1 1/2	140							120C54	1 1/2	4	6	4	133
60	28.661	29.520	120A60	1 1/2	160							120C60	1 1/2	5 1/4	7	4	160
70	33.434	34.300	120A70	1 1/2	216							120C70	1 1/2	5 1/4	7 1/2	4 1/2	206
80	38.207	39.080	120A80	1 1/2	284							120C80	1 1/2	5 1/4	7 1/2	4 1/2	254
90	42.981	43.850	120A90	1 1/2	358												

NO. 120 STOCK SPROCKETS 1 1/2" PITCH



Sprockets shown in shaded areas are supplied standard with Hardened Teeth.

All sprockets shown up to the maximum bore accommodate a standard keyway with a set screw over the keyway and a second set screw at 90 degrees. Larger bores are possible with no keyway, or set screws at an angle to the key way

Double—Type B & C

(Dimension; in)

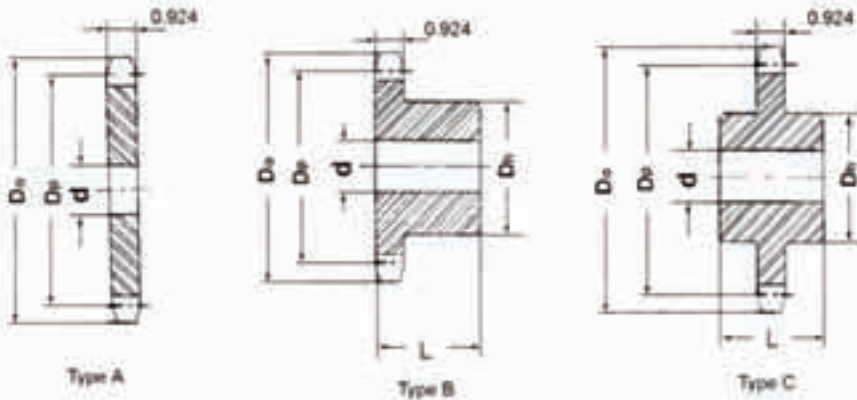
No Of Teeth	Catalog Num	Pitch Dia Dp	Outside Dia Do	Type	Bore; d		Hub		Wt (App) (Lbs)
					Min	Max	Dh	L	
11	D120B11	5.325	6.010	B	1 1/2	2 3/8	3 9/16	3 3/4	13.6
12	D120B12	5.796	6.500	B	1 1/2	2 3/4	4 1/16	3 3/4	17.3
13	D120B13	6.269	6.990	B	1 1/2	3	4 1/2	3 3/4	21.1
14	D120B14	6.741	7.470	B	1 1/2	3 5/16	5	3 3/4	25.6
15	D120B15	7.215	7.960	B	1 1/2	3 1/2	5 1/4	3 3/4	29.9
16	D120B16	7.869	8.440	B	1 1/2	3 1/2	5 1/4	3 3/4	33.8
17	D120B17	8.163	8.920	B	1 1/2	3 1/2	5 1/4	3 3/4	36.9
18	D120B18	8.639	9.410	B	1 1/2	3 1/2	5 1/4	3 3/4	41.9
19	D120B19	9.114	9.890	B	1 1/2	3 1/2	5 1/4	3 3/4	46.5
20	D120B20	9.588	10.370	B	1 1/2	3 1/2	5 1/2	3 3/4	50.2
21	D120B21	10.065	10.850	B	1 1/2	3 1/2	5 1/2	3 3/4	55.6
22	D120B22	10.541	11.330	B	1 1/2	3 13/16	5 3/4	4	64.0
23	D120B23	11.016	11.810	B	1 1/2	4 1/4	6 1/2	4	75.0
24	D120B24	11.492	12.290	B	1 1/2	4 1/4	6 1/2	4	79.0
25	D120B25	11.969	12.770	B	1 1/2	4 1/4	6 1/2	4	84.0
26	D120B26	12.444	13.250	B	1 1/2	4 1/4	6 1/2	4	90.0
30	D120B30	14.351	15.170	B	1 1/2	4 1/2	6 1/2	4	119
35	D120C35	16.734	17.570	C	1 1/2	5 3/8	7 1/2	6	148
45	D120C45	21.504	22.350	C	1 1/2	5 3/8	7 1/2	6	188
60	D120C60	28.661	29.520	C	1 1/2	6 3/8	9 1/2	6 3/4	307

TRITAN

PRECISION SPROCKETS

YOUR LINK TO QUALITY.

NO. 140 STOCK SPROCKETS 1 3/4" PITCH



Sprockets shown in shaded areas are supplied standard with Hardened Teeth.

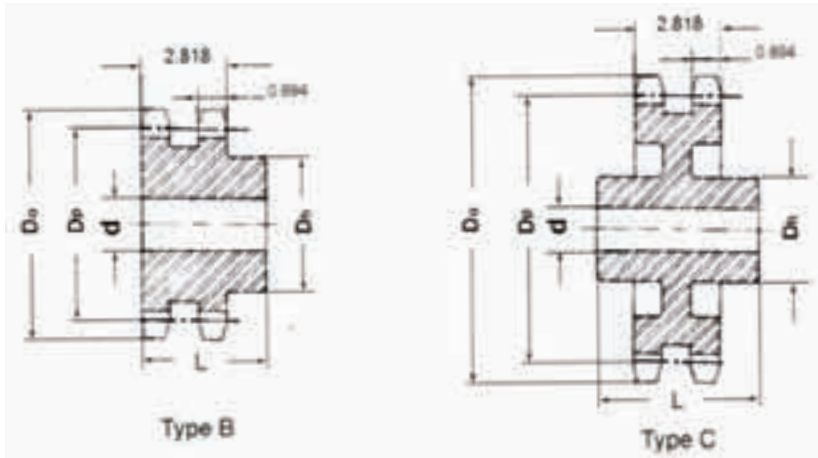
Type B & C sprockets up to the maximum bore indicated are also produced Bore To Size (Type BS) with standard keyway and setscrew over the keyway and a second setscrew at 90 degrees. Larger bores are possible with no keyway, or setscrews at an angle to the keyway.

Single—Type A, B, C

(Dimension, in.)

No of Teeth	Pitch Dia Dp	Outside Dia Do	A Type A			B Type B					C Type C						
			Catalog Num	Bore d	Wt/App (Lbs)	Bore d		Hub		Wt/App (Lbs)	Catalog Num	Bore d		Hub		Wt/App (Lbs)	
						Min	Max	Dh	L			Min	Max	Dh	L		
11	6.213	7.010	140A11	1 1/2	5.0	140B11	1 1/2	2 3/4	4 1/4	2 1/4	11.3						
12	6.762	7.580	140A12	1 1/2	7.8	140B12	1 1/2	3	4 1/2	2 1/4	13.2						
13	7.313	8.150	140A13	1 1/2	8.2	140B13	1 1/2	3 3/4	5 1/2	2 3/8	18.9						
14	7.865	8.720	140A14	1 1/2	10.0	140B14	1 1/2	3 5/8	5 1/2	2 3/8	20.4						
15	8.418	9.280	140A15	1 1/2	11.0	140B15	1 1/2	4 1/4	6 1/4	2 3/8	25.1						
16	8.971	9.850	140A16	1 1/2	14.0	140B16	1 1/2	4 1/4	6 1/4	2 1/2	27.9						
17	9.524	10.410	140A17	1 1/2	16.0	140B17	1 1/2	4 1/4	6 1/4	2 1/2	29.8						
18	10.078	10.980	140A18	1 1/2	18.0	140B18	1 1/2	4 1/4	6 1/4	2 1/2	32.0						
19	10.633	11.540	140A19	1 1/2	21.0	140B19	1 1/2	4 1/4	6 1/4	2 1/2	34.1						
20	11.186	12.100	140A20	1 1/2	23.0	140B20	1 1/2	4 1/4	6 1/4	2 1/2	36.0						
21	11.743	12.660	140A21	1 1/2	25.0	140B21	1 1/2	4 1/4	6 1/4	2 1/2	38.7						
22	12.297	13.220	140A22	1 1/2	28.0	140B22	1 1/2	4 1/4	6 1/4	2 1/2	40.6						
23	12.852	13.780	140A23	1 1/2	30.0	140B23	1 1/2	4 1/4	6 1/4	2 1/2	42.1						
24	13.407	14.340	140A24	1 1/2	33.0	140B24	1 1/2	4 1/4	6 1/4	2 1/2	46.2						
25	13.963	14.900	140A25	1 1/2	34.0	140B25	1 1/2	4 1/4	6 1/4	2 1/2	47.8						
26	14.518	15.460	140A26	1 1/2	39.0	140B26	1 1/2	4 1/4	6 1/4	3	57.2						
27	15.075	16.020	140A27	1 1/2	41.0	140B27	1 1/2	4 1/4	6 1/4	3	58.5						
28	15.629	16.580	140A28	1 1/2	45.0	140B28	1 1/2	4 1/4	6 1/4	3	62.2						
30	16.742	17.700	140A30	1 1/2	52.0	140B30	1 1/2	4 1/4	6 1/4	3	69.8						
31	17.297	18.260	140A31	1 1/2	56.0	140B31	1 1/2	4 1/4	6 1/4	3							
32	17.854	18.820	140A32	1 1/2	60.0	140B32	1 1/2	4 1/4	6 1/4	3	76.3						
35	19.523	20.490	140A35	1 1/2	73.0							140C35	1 1/2	5 1/4	7	4	108
36	20.080	21.050	140A36	1 1/2	77.0							140C36	1 1/2	5 1/4	7	4	110
40	22.306	23.290	140A40	1 1/2	93.0							140C40	1 1/2	5 1/4	7	4	121
45	25.088	26.080	140A45	1 1/2	131							140C45	1 1/2	5 1/4	7	4	142
48	26.758	27.750	140A48	1 1/2	134							140C48	1 1/2	5 1/4	7	4	150
54	30.097	31.100	140A54	1 1/2	173							140C54	1 1/2	5 1/4	7	4	177
60	33.437	34.440	140A60	1 1/2	219							140C60	1 1/2	5 1/4	7	5	220
70	39.006	40.020	140A70	1 1/2	292							140C70	1 1/2	5 3/8	7 1/2	5	262
80	44.574	45.590	140A80	1 1/2	402							140C80	1 1/2	5 3/8	7 1/2	5	331

NO. 140 STOCK SPROCKETS 1 3/4" PITCH



Sprockets shown in shaded areas are supplied standard with Hardened Teeth.

All sprockets shown up to the maximum bore accommodate a standard keyway with a set screw over the keyway and a second set screw at 90 degrees. Larger bores are possible with no keyway, or set screws at an angle to the key way

Double—Type B & C

(Dimension, in)

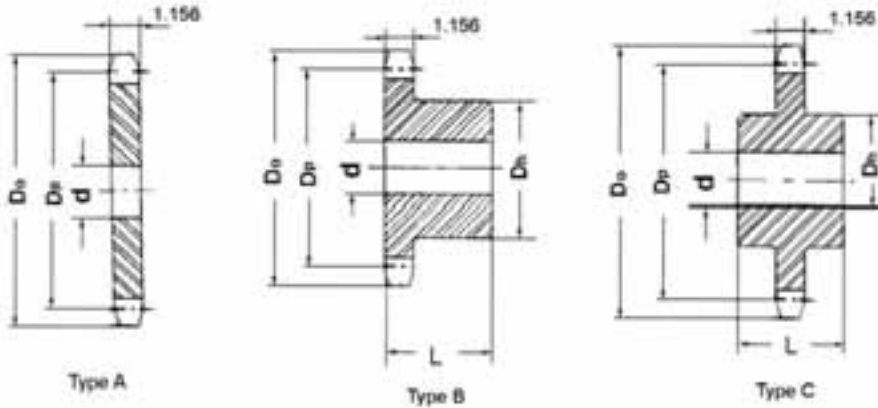
No Of Teeth	Catalog Num	Pitch Dia Dp	Outside Dia Do	Type	Bore, d		Hub		Wt (App) (Lbs)
					Min	Max	Dh	L	
13	D140B13	7.313	8.150	B	1 5/8	3 5/16	5	3 1/4	29
14	D140B14	7.865	8.720	B	1 5/8	3 1/4	5 1/2	3 1/4	34.8
15	D140B15	8.418	9.280	B	1 5/8	4 1/2	6 1/2	3 1/4	42.5
16	D140B16	8.971	9.850	B	1 5/8	5 1/4	7	4	48.1
17	D140B17	9.524	10.410	B	1 5/8	5 1/2	7	4	57.5
18	D140B18	10.078	10.980	B	1 3/4	5 1/4	7	4	65.6
19	D140B19	10.633	11.540	B	1 3/4	5 1/4	7	4	72.0
20	D140B20	11.186	12.100	B	1 3/4	5 1/4	7	4	76.0
21	D140B21	11.743	12.660	B	1 3/4	5 1/2	7	4	82.0
22	D140B22	12.297	13.220	B	1 3/8	5 1/4	7	4	94.0
23	D140B23	12.852	13.780	B	1 3/4	5 1/4	7	4	100
24	D140B24	13.407	14.340	B	1 3/4	5 1/4	7	4	104
25	D140B25	13.963	14.900	B	1 3/4	5 1/4	7	4	120
26	D140B26	14.518	15.460	B	1 3/4	5 1/4	7	4	128
35	D140C35	19.523	20.490	C	1 1/2	5 3/8	7 1/2	6	180
45	D140C45	25.088	26.080	C	1 1/2	5 3/8	7 1/2	6	232
60	D140C60	33.437	34.440	C	1 1/2	6 3/8	9 1/2	6 1/4	372

TRITAN

PRECISION SPROCKETS

YOUR LINK TO QUALITY.

NO. 160 STOCK SPROCKETS 2" PITCH



Sprockets shown in shaded areas are supplied standard with Hardened Teeth.

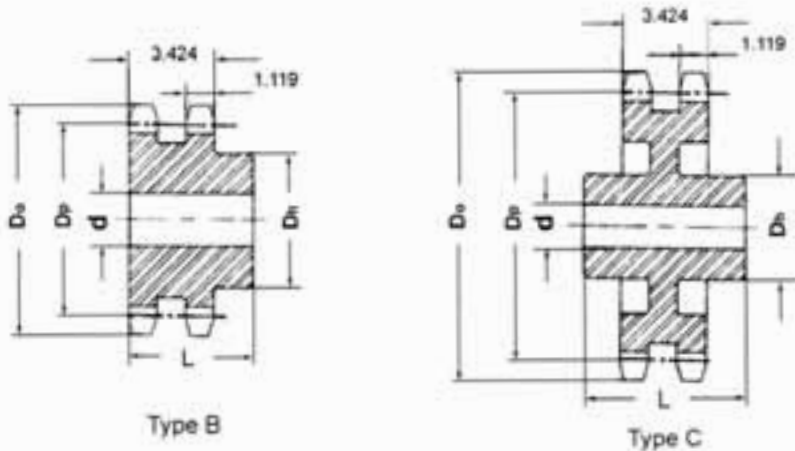
Type B & C sprockets up to the maximum bore indicated are also produced Bore To Size (Type BS) with standard keyway and setscrew over the keyway and a second setscrew at 90 degrees. Larger bores are possible with no keyway, or setscrews at an angle to the keyway.

Single—Type A, B, C

(Dimension in)

No of Teeth	Pitch Dia Dp	Outside Dia Do	A Type A			B Type B					C Type C							
			Catalog Num	Bore d	Wt(App) (Lbs)	Bore d		Hub		Wt(App) (Lbs)	Catalog Num	Bore d		Hub		Wt(App) (Lbs)		
						Min	Max	Dh	L			Min	Max	Dh	L			
8	5.226	6.030	160A8	1 1/2	5.0	160B8	1 1/2	1 7/8	3 1/4	2 1/4	8.0							
9	5.848	6.700	160A9	1 1/2	7.0	160B9	1 1/2	2 1/8	3 5/8	2 1/4	10.0							
10	6.472	7.360	160A10	1 1/2	8.0	160B10	1 1/2	2 3/4	4 1/8	2 1/4	12.0							
11	7.100	8.010	160A11	1 1/2	10.0	160B11	1 1/2	3 1/4	4 3/4	2 1/2	17.0	160C11	1 1/2	3 1/4	4 1/2	4 1/8	21.0	
12	7.728	8.660	160A12	1 1/2	12.0	160B12	1 1/2	3 3/4	5 1/2	2 1/2	21.0	160C12	1 1/2	3 3/4	5 1/2	4 1/8	26.0	
13	8.358	9.310	160A13	1 1/2	16.0	160B13	1 1/2	4	6	2 3/4	28.0							
14	8.988	9.960	160A14	1 1/2	17.0	160B14	1 1/2	4 1/2	6 1/2	2 3/4	32.0							
15	9.620	10.610	160A15	1 1/2	21.0	160B15	1 1/2	5 1/4	7	2 3/4	37.0							
16	10.252	11.260	160A16	1 1/2	24.0	160B16	1 1/2	5 1/4	7	2 3/4	41.0							
17	10.844	11.900	160A17	1 1/2	27.0	160B17	1 1/2	5 1/4	7	2 3/4	45.0							
18	11.518	12.540	160A18	1 1/2	30.0	160B18	1 1/2	5 1/4	7	2 3/4	48.0							
19	12.152	13.190	160A19	1 1/2	34.0	160B19	1 1/2	5 1/2	7	2 3/4	52.0							
20	12.784	13.830	160A20	1 1/2	38.0	160B20	1 1/2	5 1/4	7	2 3/4	56.0							
21	13.420	14.470	160A21	1 1/2	42.0	160B21	1 1/2	5 1/4	7	2 3/4	59.0							
22	14.054	15.110	160A22	1 1/2	46.0	160B22	1 1/2	5 1/4	7	2 3/4	65.0							
23	14.688	15.750	160A23	1 1/2	50.0	160B23	1 1/2	5 1/4	7	2 3/4	68.0							
24	15.322	16.390	160A24	1 1/2	56.0	160B24	1 1/2	5 1/4	7	3	77.0							
25	15.958	17.030	160A25	1 1/2	61.0	160B25	1 1/2	5 1/4	7	3	81.0							
26	16.592	17.670	160A26	1 1/2	65.0	160B26	1 1/2	5 1/4	7	3	86.0							
27	17.228	18.310	160A27	1 1/2	71.0	160B27	1 1/2	5 1/4	7	3	91.0							
28	17.862	18.950	160A28	1 1/2	77.0	160B28	1 1/2	5 1/4	7	3	98.0							
30	19.134	20.230	160A30	1 1/2	90.0	160B30	1 1/2	5 1/4	7	3	108							
35	22.312	23.420	160A35	1 1/2	121							160C35	1 1/2	5 1/2	8	4 1/2	154	
40	25.492	26.610	160A40	1 1/2	138							160C40	1 1/2	5 1/2	8	4 1/2	196	
45	28.672	29.800	160A45	1 1/2	204							160C45	1 1/2	5 1/2	8	5	234	
54	34.396	35.540	160A54	1 1/2	294							160C54	1 1/2	5 1/2	8	5	276	
60	38.214	39.360	160A60	1 1/2	366							160C60	1 1/2	5 1/2	8	5	329	
70	44.578	45.730	160A70	1 1/2	507							160C70	1 1/2	5 1/2	8	5	446	
80	50.942	52.100	160A80	1 1/2	656							160C80	1 1/2	5 1/2	8	5	612	

NO. 160 STOCK SPROCKETS 2" PITCH



Sprockets shown in shaded areas are supplied standard with Hardened Teeth.

All sprockets shown up to the maximum bore accommodate a standard keyway with a set screw over the keyway and a second set screw at 90 degrees. Larger bores are possible with no keyway, or set screws at an angle to the key way

Double—Type B & C

(Dimension, in)

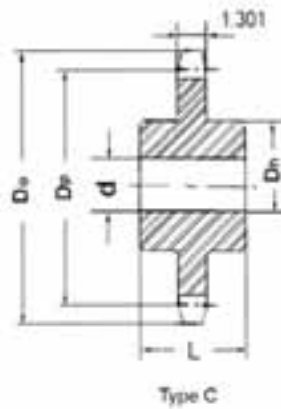
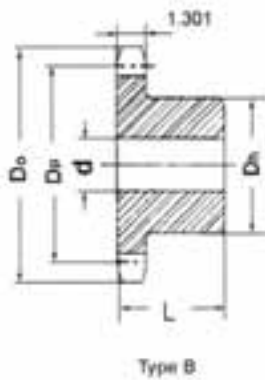
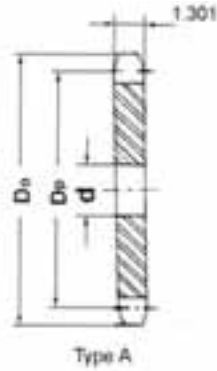
No Of Teeth	Catalog Num	Pitch Dia Dp	Outside Dia Do	Type	Bore, d		Hub		Wt (App) (Lbs)
					Min	Max	Dh	L	
13	D160B13	8.358	9.310	B	2	4	6	4 3/4	48
14	D160B14	8.988	9.660	B	2	4 3/4	6 3/4	4 3/4	58
15	D160B15	9.620	10.610	B	2	5 1/4	7	4 3/4	68
16	D160B16	10.252	11.260	B	2	5 1/4	7	4 3/4	75
17	D160B17	10.844	11.900	B	2	5 1/4	7	4 3/4	91
18	D160B18	11.518	12.540	B	2	5 1/4	7	4 3/4	96
19	D160B19	12.152	13.190	B	2	5 1/4	7	4 3/4	107
20	D160B20	12.784	13.830	B	2	5 1/4	7	4 3/4	119
21	D160B21	13.420	14.470	B	2	5 3/8	7 1/2	4 3/4	130
22	D160B22	14.054	15.110	B	2	5 3/8	7 1/2	4 3/4	141
23	D160B23	14.685	15.750	B	2	5 3/8	7 1/2	4 3/4	157
24	D160B24	15.322	16.390	B	2	5 3/8	7 1/2	4 3/4	171
25	D160B25	15.958	17.030	B	2	5 3/8	7 1/2	4 3/4	187
26	D160B26	16.592	17.670	B	2	5 3/8	7 1/2	4 3/4	201
35	D160C35	22.312	23.420	C	1 1/2	6 3/4	9 1/2	6 5/8	306
45	D160C45	28.672	29.800	C	1 1/2	7	10	7 1/8	431
60	D160C60	38.214	39.360	C	1 1/2	7	10	7 1/8	564

TRITAN

PRECISION SPROCKETS

YOUR LINK TO QUALITY.

NO. 180 STOCK SPROCKETS 2 1/4" PITCH



Sprockets shown in shaded areas are supplied standard with Hardened Teeth.

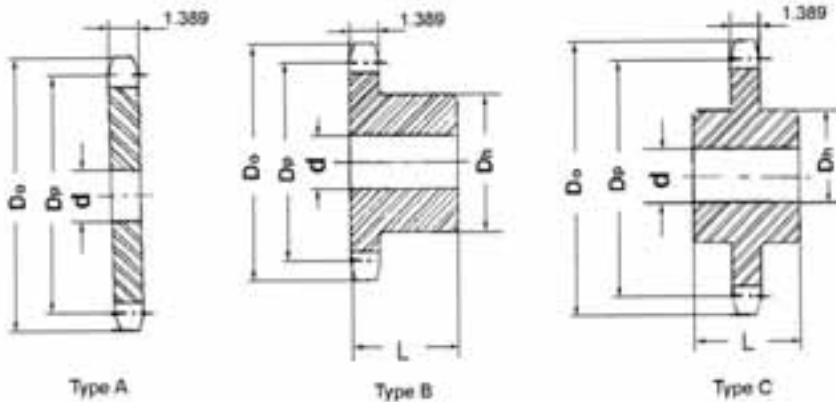
Type B & C sprockets up to the maximum bore indicated are also produced Bore To Size (Type BS) with standard keyway and setscrew over the keyway and a second setscrew at 90 degrees. Larger bores are possible with no keyway, or setscrews at an angle to the keyway.

Single—Type A, B, C

(Dimension, in)

No of Teeth	Pitch Dia D _p	Outside Dia D _o	A Type A			B C Type B & C						
			Catalog Num	Bore d	Wt (App) (Lbs.)	Catalog Num	Type	Bore d		Hub		Wt (App) (Lbs.)
								Min	Max	D _h	L	
11	7.986	9.010	180A11	1 1/2	14	180B11	B	1 1/2	3 3/8	5 1/2	3	29
12	8.693	9.750	180A12	1 1/2	16	180B12	B	1 1/2	4	6	3	32
13	9.402	10.480	180A13	1 1/2	20	180B13	B	1 1/2	4 5/8	6 3/4	3 1/8	40
14	10.112	11.210	180A14	1 1/2	24	180B14	B	1 1/2	5 1/4	7	3 1/8	44
15	10.822	11.930	180A15	1 1/2	28	180B15	B	1 1/2	5 3/4	7	3 1/8	48
16	11.533	12.660	180A16	1 1/2	32	180B16	B	1 1/2	5 1/4	7	3 1/8	52
17	12.245	13.390	180A17	1 1/2	37	180B17	B	1 1/2	5 1/4	7	3 1/8	58
18	12.957	14.110	180A18	1 1/2	43	180B18	B	1 1/2	5 1/4	7	3 1/8	63
19	13.670	14.830	180A19	1 1/2	47	180B19	B	1 1/2	5 3/8	7 1/2	3 3/8	74
20	14.383	15.560	180A20	1 1/2	53	180B20	B	1 1/2	5 3/8	7 1/2	3 3/8	81
21	15.096	16.280	180A21	1 1/2	57	180B21	B	1 1/2	5 3/8	7 1/2	3 3/8	83
22	15.810	17.000	180A22	1 1/2	62	180B22	B	1 1/2	5 3/8	7 1/2	3 3/8	92
23	16.524	17.720	180A23	1 1/2	69	180B23	B	1 1/2	5 3/8	7 1/2	3 3/8	99
24	17.238	18.440	180A24	1 1/2	77	180B24	B	1 1/2	5 3/8	7 1/2	3 3/8	105
25	17.952	19.160	180A25	1 1/2	84	180B25	B	1 1/2	5 3/8	7 1/2	3 3/8	113
28	20.096	21.320	180A28	1 1/2	104	180B28	B	1 1/2	5 1/2	8	3 1/2	135
30	21.525	22.760	180A30	1 1/2	120	180C30	C	1 1/2	5 3/4	8 1/2	4 3/8	180
35	25.101	26.350	180A35	1 1/2	172	180C35	C	1 1/2	5 3/4	8 1/2	4 3/8	222
40	28.677	29.940	180A40	1 1/2	229	180C40	C	1 1/2	5 3/4	8 1/2	4 3/8	270
45	32.255	33.530	180A45	1 1/2	284	180C45	C	1 1/2	6	9	5	315
54	38.696	39.980	180A54	1 1/2	420	180C54	C	1 1/2	6	9	5	477
60	42.991	44.280	180A60	1 1/2	505	180C60	C	1 1/2	6 1/2	9 1/2	5 3/8	489

NO. 200 STOCK SPROCKETS 2½" PITCH



Sprockets shown in shaded areas are supplied standard with Hardened Teeth.

Type B & C sprockets up to the maximum bore indicated are also produced Bore To Size (Type BS) with standard keyway and setscrew over the keyway and a second setscrew at 90 degrees. Larger bores are possible with no keyway, or setscrews at an angle to the keyway.

Single—Type A, B, C

(Dimension, in.)

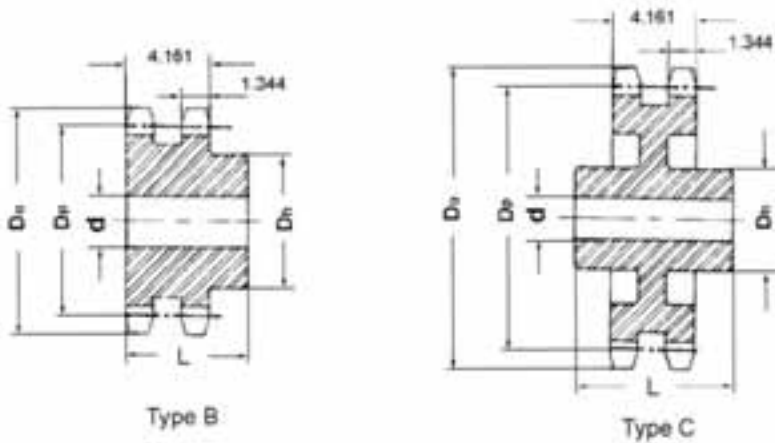
No of Teeth	Pitch Dia Dp	Outside Dia Do	A Type A			B C Type B & C						
			Catalog Num	Bore d	Wt(App) (Lbs)	Catalog Num	Type	Bore d		Hub		Wt(App) (Lbs)
								Min	Max	Dh	L	
10	8.090	9.200	200A10	1½	16	200B10	B	1½	3¼	5½	3	26
11	8.875	10.020	200A11	1½	20	200B11	B	1½	4	6	3	33
12	9.660	10.830	200A12	1½	24	200B12	B	1½	4½	6½	3	37
13	10.447	11.640	200A13	1½	30	200B13	B	1½	5¼	7	3	46
14	11.235	12.460	200A14	1½	32	200B14	B	1½	5½	7½	3½	59
15	12.025	13.260	200A15	1½	40	200B15	B	1½	5½	7½	3½	64
16	12.815	14.070	200A16	1½	46	200B16	B	1½	5½	7½	3½	72
17	13.605	14.870	200A17	1½	51	200B17	B	1½	5½	7½	3½	76
18	14.397	15.680	200A18	1½	57	200B18	B	1½	5½	7½	3½	84
19	15.190	16.480	200A19	1½	65	200B19	B	1½	5½	7½	3½	91
20	15.980	17.290	200A20	1½	72	200B20	B	1½	5½	7½	3½	98
21	16.775	18.090	200A21	1½	82	200B21	B	1½	5½	7½	3½	106
22	17.567	18.890	200A22	1½	88	200B22	B	1½	5½	8½	4	131
23	18.360	19.690	200A23	1½	95	200B23	B	1½	5½	8½	4	136
24	19.153	20.490	200A24	1½	105	200B24	B	1½	5½	8½	4	142
25	19.947	21.290	200A25	1½	113	200B25	B	1½	5½	8½	4	153
26	20.740	22.090	200A26	1½	124	200C26	C	1½	5½	8½	4½	178
28	22.327	23.690	200A28	1½	144	200C28	C	1½	5½	8½	4½	195
30	23.917	25.290	200A30	1½	167	200C30	C	1½	5½	8½	4½	212
32	25.505	26.880	200A32	1½	195	200C32	C	1½	5½	8½	4½	220
35	27.890	29.280	200A35	1½	227	200C35	C	1½	5½	8½	4½	254
40	31.865	33.270	200A40	1½	301	200C40	C	1½	6	9	5	320
45	35.840	37.250	200A45	1½	390	200C45	C	1½	6	9	5	364
54	42.995	44.420	200A54	1½	555	200C54	C	1½	6½	9½	5½	512
60	47.768	49.200	200A60	1½	692	200C60	C	1½	6½	9½	5½	654

TRITAN

PRECISION SPROCKETS

YOUR LINK TO QUALITY.

NO. 200 STOCK SPROCKETS 2 1/2" PITCH



Sprockets shown in shaded areas are supplied standard with Hardened Teeth.

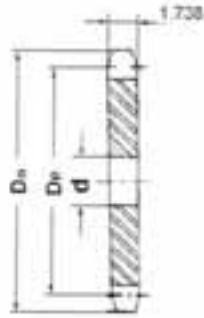
All sprockets shown up to the maximum bore accommodate a standard keyway with a set screw over the keyway and a second set screw at 90 degrees. Larger bores are possible with no keyway, or set screws at an angle to the key way

Double—Type B & C

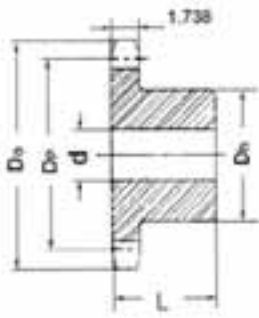
(Dimension, in)

No Of Teeth	Catalog Num	Pitch Dia Dp	Outside Dia Do	Type	Bore, d		Hub		Wt(App) (Lbs)
					Min	Max	Dh	L	
11	D200B11	8.875	10.020	B	2	3 3/4	5 1/2	5 7/8	57
12	D200B12	9.660	10.830	B	2	4 1/2	6 1/2	6 1/4	80
13	D200B13	10.447	11.640	B	2	5 1/4	7	6 3/8	96
14	D200B14	11.235	12.460	B	2	5 1/2	8	6 3/8	119
15	D200B15	12.025	13.260	B	2	5 3/4	8 1/2	6 3/8	138
16	D200B16	12.815	14.070	B	2	5 3/4	8 1/2	6 5/8	161
17	D200B17	13.605	14.870	B	2	5 3/4	8 1/2	6 5/8	178
18	D200B18	14.397	15.680	B	2	5 3/4	8 1/2	6 5/8	196
19	D200B19	15.190	16.480	B	2	5 3/4	8 1/2	6 5/8	217
20	D200B20	15.980	17.290	B	2	5 3/4	8 1/2	6 5/8	236
21	D200B21	16.775	18.090	B	2	5 3/4	8 1/2	6 5/8	250
22	D200B22	17.567	18.890	B	2	5 3/4	8 1/2	6 5/8	284
23	D200B23	18.360	19.690	B	2	5 3/4	8 1/2	6 5/8	308
24	D200B24	19.153	20.490	B	2	5 3/4	8 1/2	6 5/8	330
25	D200B25	19.947	21.290	B	2	5 3/4	8 1/2	6 5/8	358
26	D200B26	20.740	22.090	B	2	5 3/4	8 1/2	6 5/8	386
45	D200C45	35.840	37.250	C	1 1/2	7	10	8 1/2	665
60	D200C60	47.768	49.200	C	1 1/2	7	10	9	972

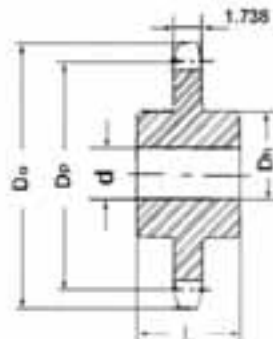
NO. 240 STOCK SPROCKETS 3" PITCH



Type A



Type B



Type C

Sprockets shown in shaded areas are supplied standard with Hardened Teeth.

Type B & C sprockets up to the maximum bore indicated are also produced Bore To Size (Type BS) with standard keyway and setscrew over the keyway and a second setscrew at 90 degrees. Larger bores are possible with no keyway, or setscrews at an angle to the keyway.

Single—Type A, B, C

(Dimension, in)

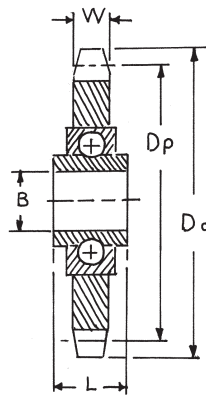
No of Teeth	Pitch Dia Dp	Outside Dia Do	A Type A			B C Type B & C						
			Catalog Num	Bore d	Wt/App (Lbs)	Catalog Num	Type	Bore d		Hub		Wt/App (Lbs)
								Min	Max	Dh	L	
10	9.708	11.030	240A10	1 1/2	30	240B10	B	1 1/2	4 1/2	6 1/2	3 3/8	49
11	10.649	12.020	240A11	1 1/2	37	240B11	B	1 1/2	4 3/4	7	3 7/8	66
12	11.591	13.000	240A12	1 1/2	45	240B12	B	1 1/2	5 3/8	7 1/2	3 7/8	72
13	12.536	13.970	240A13	1 1/2	54	240B13	B	1 1/2	5 3/8	7 1/2	3 7/8	81
14	13.482	14.940	240A14	1 1/2	62	240B14	B	1 1/2	5 3/8	7 1/2	3 7/8	88
15	14.429	15.910	240A15	1 1/2	68	240B15	B	1 1/2	5 3/8	7 1/2	3 7/8	98
16	15.377	16.880	240A16	1 1/2	82	240B16	B	1 1/2	5 1/2	8	4 1/8	120
17	16.327	17.850	240A17	1 1/2	93	240B17	B	1 1/2	5 1/2	8	4 1/8	137
18	17.276	18.810	240A18	1 1/2	108	240B18	B	1 1/2	5 1/2	8	4 1/8	142
19	18.227	19.780	240A19	1 1/2	120	240B19	B	1 1/2	5 1/2	8	4 1/8	154
20	19.177	20.740	240A20	1 1/2	128	240B20	B	1 1/2	5 1/2	8	4 1/8	169
21	20.129	21.710	240A21	1 1/2	148	240B21	B	1 1/2	5 1/2	8	4 1/8	186
25	23.936	25.550	240A25	1 1/2	208	240B25	B	1 1/2	5 1/2	8	4 1/8	254
30	28.700	30.340	240A30	1 1/2	310	240C30	C	1 1/2	6	9	6 1/4	398
35	33.467	35.130	240A35	1 1/2	416	240C35	C	1 1/2	6	9	6 1/4	527
40	38.237	39.920	240A40	1 1/2	548	240C40	C	1 1/2	7	10	6 3/4	672
45	43.007	44.700	240A45	1 1/2	702	240C45	C	1 1/2	7	10	6 3/4	850
54	51.595	53.310	240A54	1 1/2	1022	240C54	C	1 1/2	7	10	6 3/4	1148
60	57.322	59.040	240A60	1 1/2	1268	240C60	C	1 1/2	7	10	6 3/4	1419

TRITAN

PRECISION SPROCKETS

YOUR LINK TO QUALITY.

BALL BEARING IDLER SPROCKET – HARDENED TEETH HIGH SPEED



No. Teeth	Catalog Number	Chain Size	Do	B	L	W	Wt Lbs.
20	35BB20H	35	2.60	0.638	0.72	0.17	0.38
17	40BB17H	40	2.97	0.638	0.72	0.28	0.52
18	40BB18H	40	3.14	0.638	0.72	0.28	0.53
15	50BB15H	50	3.32	0.638	0.72	0.34	0.75
17	50BB17H	50	3.72	0.638	0.72	0.34	0.78
13	60BB13H	60	3.51	0.638	0.72	0.46	0.76
15	60BB15H	60	3.98	0.638	0.72	0.46	1.06
12	80BB12H	80	4.36	0.750	0.81	0.58	1.50