



# **TRITAN**

**ROLLER CHAINS**



# TRITAN

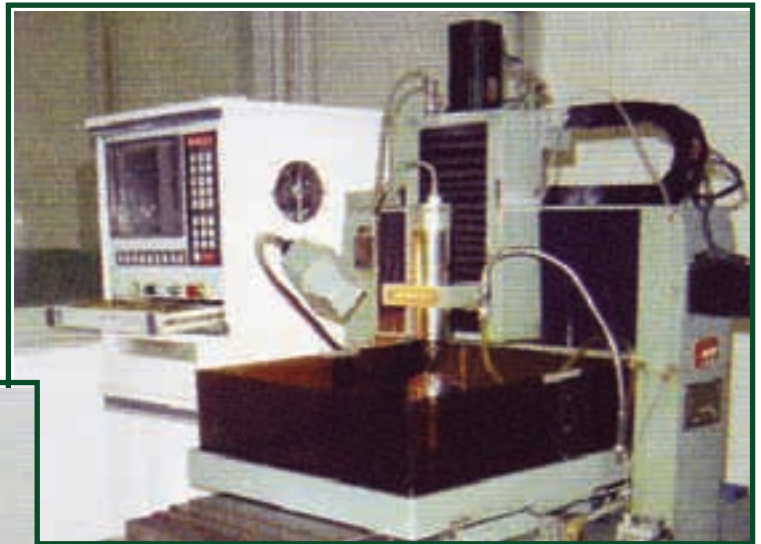
PRECISION POWER TRANSMISSION COMPONENTS

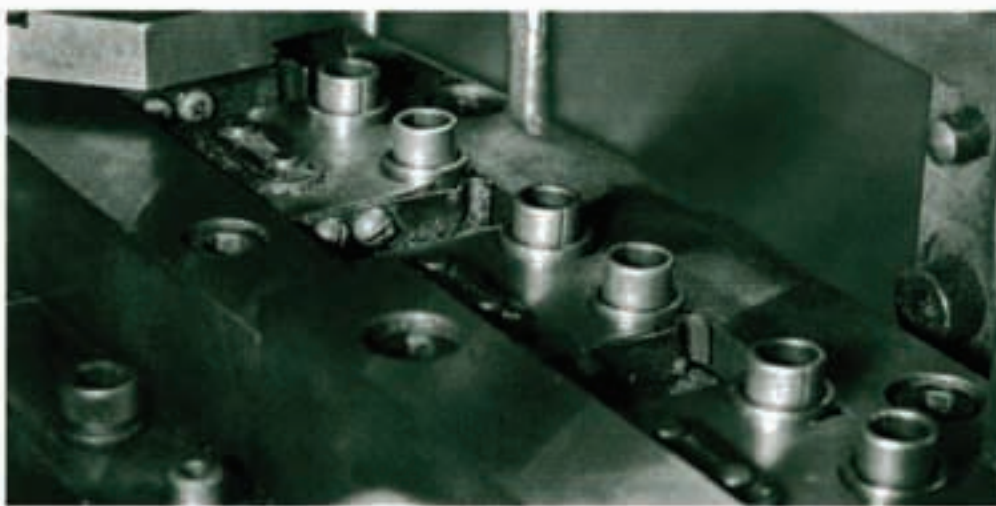
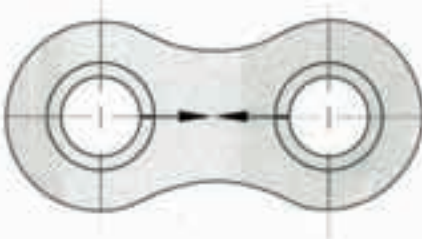
*YOUR LINK TO QUALITY.*

## PRECISION CHAIN TECHNOLOGY

Tritan is one of China's most technologically advanced chain manufacturers. With advanced manufacturing utilizing CNC machinery, specialized heat treatment and testing, Tritan Chain can provide quality that was once only available from Japan or Europe.

Tritan Chain is produced to conform with ANSI B29.1, DIN8196 and JIS1801. As well, the factories have received approval from the American Petroleum Institute.





■ **Seam oriented bushings**

Bushing adopted from positioning assembling can improve wear resistance of the chain.



▲ **Common link plate contours**



▲ **Wide-waist link plate contours**

■ **Design of link plate waist**

Increase in width of waist for combating fatigue



■ **Ball drift**

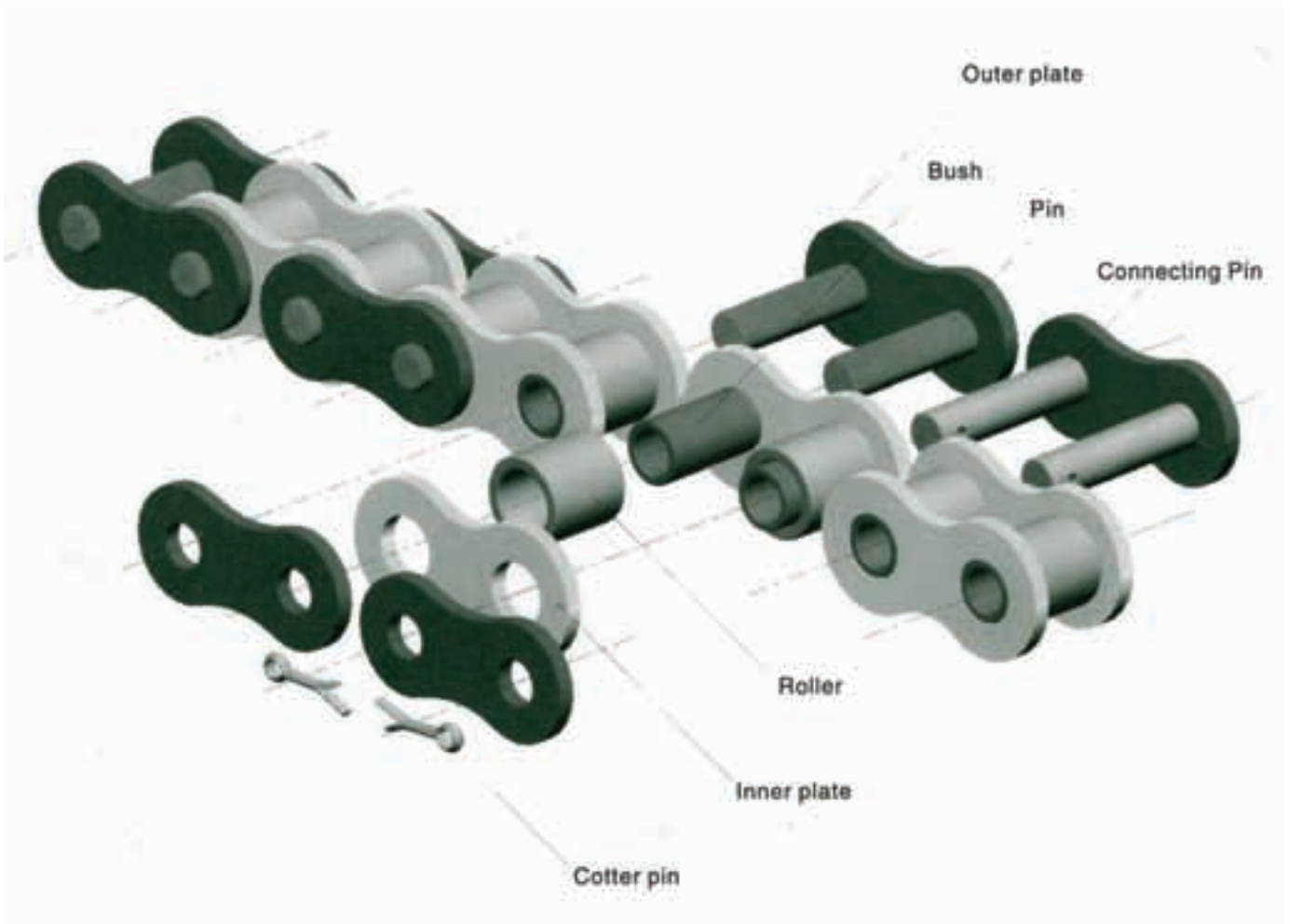
The plate holes are finally ball-burnished to assure maximum resistance to fatigue failure.



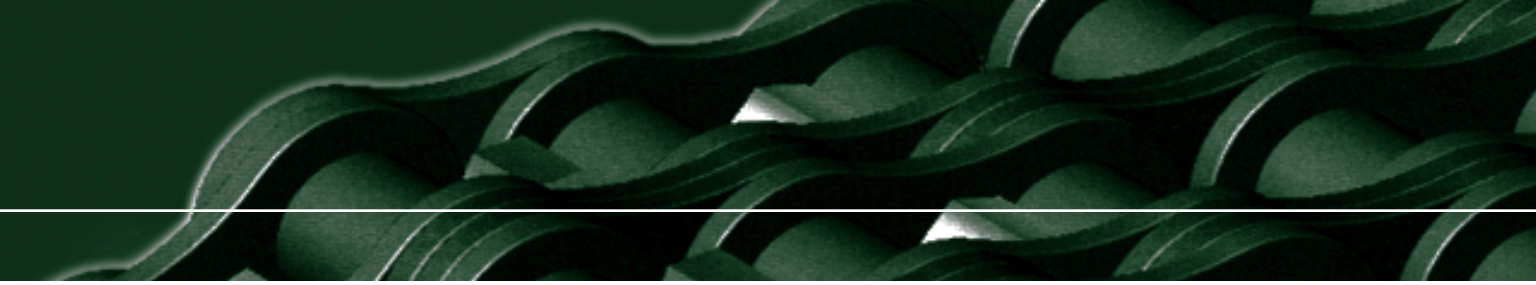
■ **Shot peened parts**

Link plates and rollers are shot peened for greater fatigue strength.

## ROLLER CHAIN STRUCTURE







## PACKAGING

Tritan chain is supplied in 10ft lengths in rust prohibitive boxes or 100ft reels (50 ft for 80 pitch and higher) Custom lengths can be supplied upon request.

## CONNECTING LINKS

Connecting links are supplied standard with Tritan Chain. Additional Spring, Cottered, or Off-Set connecting links are available upon request. In normal applications an odd number length of links will require a spring or cottered connecting link. For lengths with even number of links Off-Set Connecting Links should be used to convert links from an even number of links to an odd number of links.

## MATERIALS AND TEMPERATURE LIMITATIONS

Tritan Precision Roller Chain is constructed of high quality, heat treated carbon steel; and can be used at temperatures between 0°f and 350°f. As well, it can be used at higher temperatures up to 500°f, however capacity decreases as temperature rises over 350°f. At 500°f, capacity is approx. 50% of normal.

Stainless Steel Precision Roller Chain is constructed of high quality 304 grade stainless steel and provides an excellent solution for corrosive environments. As well, Stainless Steel Precision Roller Chain can be used at temperatures below 0°f and above 500°f. Stainless steel 316 available upon request.

Tritan Precision Roller Chain is also available in Nickel Plated and Dacromet Coated. This chain is ideal for washdown and humid environments.

## STRUCTURAL DIMENSIONS

Tritan Precision Roller Chain is made in compliance with ANSI B29.1 standards. The dimensions of roller chain components are produced in direct relation to pitch of the chain as follows;

Roller Diameter  
.625" x Pitch

Pin Diameter  
.3125" x Pitch

Plate Diameter  
.125" x Pitch

For example for 40 Chain; (1/2 inch pitch)

Pitch  
.50"

Roller Diameter  
.50" x .625"  
.3125"

Pin Diameter  
.50"x .3125"  
.15625"

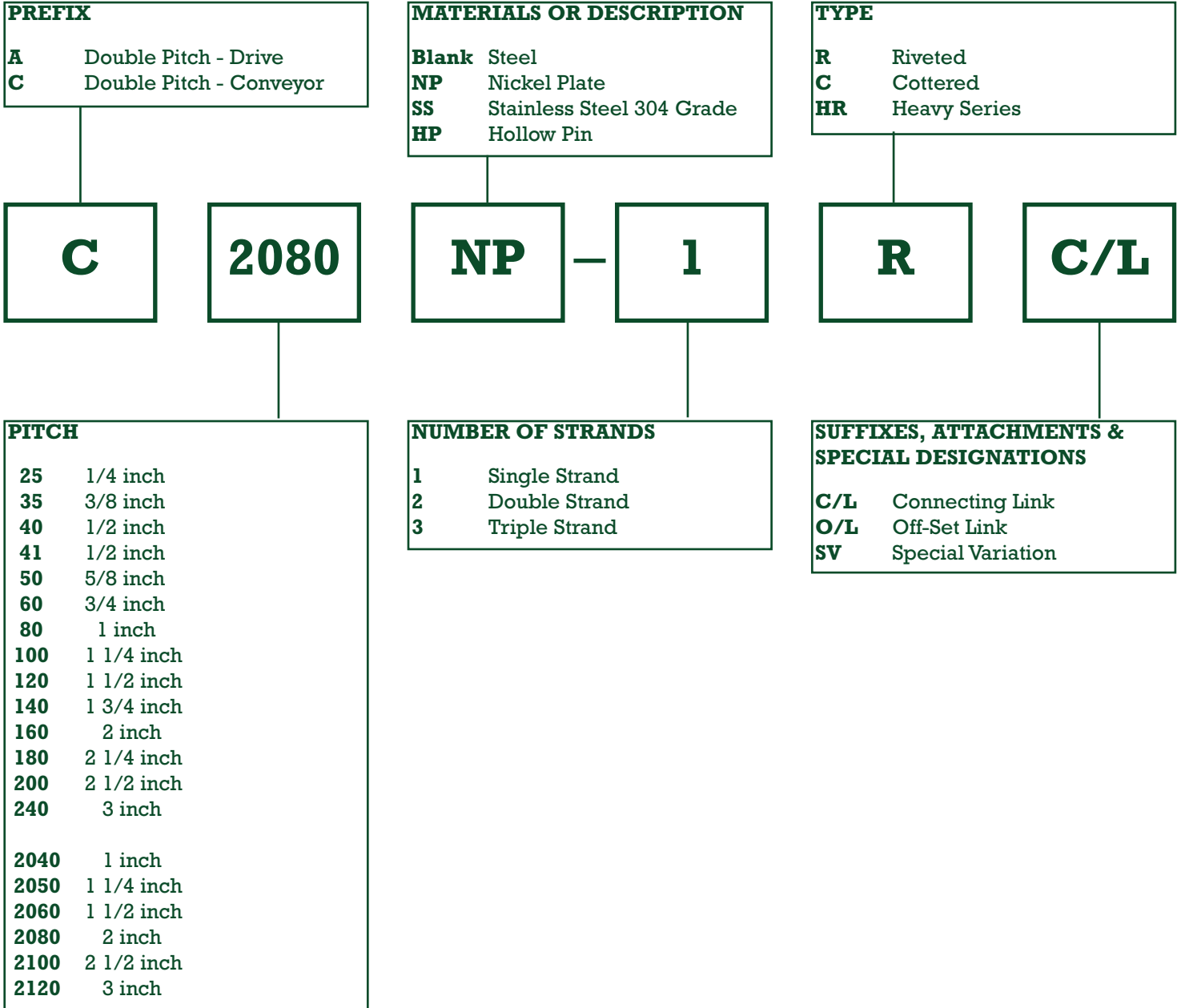
Plate Thickness  
.50" x .125"  
.0625

# TRITAN

PRECISION POWER TRANSMISSION COMPONENTS

YOUR LINK TO QUALITY.

## INCH ROLLER CHAIN



## METRIC ROLLER CHAIN

PITCH			
<b>04B</b>	6mm	<b>16B</b>	25.4mm
<b>05B</b>	8mm	<b>20B</b>	31.75mm
<b>06B</b>	9.525mm	<b>24B</b>	38.1mm
<b>08B</b>	12.7mm	<b>28B</b>	44.45mm
<b>10B</b>	15.88mm	<b>32B</b>	50.8mm
<b>12B</b>	19.05mm	<b>40B</b>	63.5mm

MATERIALS OR DESCRIPTION	
<b>Blank</b>	Steel
<b>NP</b>	Nickel Plate
<b>SS</b>	Stainless Steel 304 Grade
<b>HP</b>	Hollow Pin

**05B**

**1**

**SS**

**C/L**

NUMBER OF STRANDS	
<b>1</b>	Single Strand
<b>2</b>	Double Strand
<b>3</b>	Triple Strand

SUFFIXES, ATTACHMENTS & SPECIAL DESIGNATIONS	
<b>C/L</b>	Connecting Link
<b>O/L</b>	Off-Set Link
<b>SV</b>	Special Variation

## LEAF CHAIN

SERIES
<b>AL</b>
<b>BL</b>

PLATE LACING	
<b>22</b>	2 x 2
<b>44</b>	4 x 4
<b>66</b>	6 x 6
<b>88</b>	8 x 8

**AL**

**4**

**22**

PITCH (in 1/8ths)			
<b>2</b>	1/4 inch	<b>10</b>	1 1/4 inch
<b>3</b>	3/8 inch	<b>12</b>	1 1/2 inch
<b>4</b>	1/2 inch	<b>14</b>	1 3/4 inch
<b>5</b>	5/8 inch	<b>16</b>	2 inch
<b>6</b>	3/4 inch	<b>20</b>	2 1/2 inch
<b>8</b>	1 inch		

# TRITAN

PRECISION POWER TRANSMISSION COMPONENTS

*YOUR LINK TO QUALITY.*

## TRITAN FYI

## ROLLER CHAIN

### ABBREVIATIONS

AL	LEAF CHAIN
BL	LEAF CHAIN
C	COTTERED
C/L or CL	CONNECTING LINK
HP	HOLLOW PIN
HR	HEAVY SERIES CHAIN
MM	METRIC
NP	NICKEL PLATE
O/L OR OSL	OFFSET LINK
R	RIVETED
SS	STAINLESS

### TRITAN CHAIN

CHAIN	PITCH
25	1/4
35	3/8
40	1/2
41	1/2
50	5/8
60	3/4
80	1
100	1 1/4
120	1 1/2
140	1 3/4
160	2
180	2 1/4
200	2 1/2
240	3

### CHAIN PARTS

ROLLER DIA.	5/8 X PITCH
PIN DIA.	5/16 X PITCH
PLATE THICKNESS	1/8 X PITCH

### CHAIN WEIGHT PER FT.

25 PITCH	.094	100 PITCH 2.68	2040 PITCH	.26
35 PITCH	.22	120 PITCH 3.98	2050 PITCH	.42
41 PITCH	.27	140 PITCH 5.03	2060 PITCH	.63
40 PITCH	.43	160 PITCH 6.79	2080 PITCH	1.03
50 PITCH	.70	180 PITCH 9.04	2100 PITCH	2.38
60 PITCH	1.03	200 PITCH 11.08	2120 PITCH	3.41
80 PITCH	1.79	240 PITCH 16.46	2160 PITCH	6.02

### TRITAN IN LENGTHS

ODD NUMBER OF LINKS USES A CONNECTING LINK

EVEN NUMBER OF LINKS USES AN OFFSET LINK

### PITCHES PER 10FT. BOX

25R	480	100R	96	2040	120
35R	320	120R	80	2050	96
41R	240	140R	68	2060	80
40R	240	160R	60	2080	60
50R	192	180R	54	2100	48
60R	160	200R	48	2120	40
80R	120	240R	40	2160	30

*YOUR LINK TO QUALITY.*

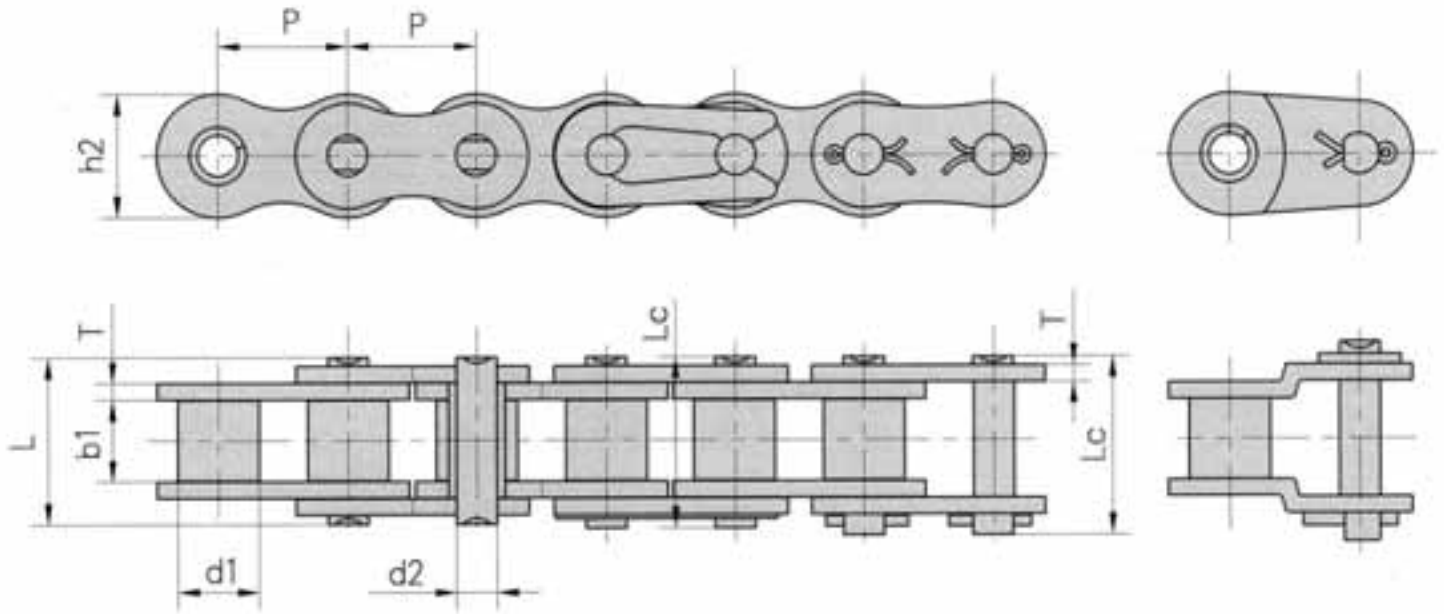


# TRITAN

## PRECISION ROLLER CHAIN

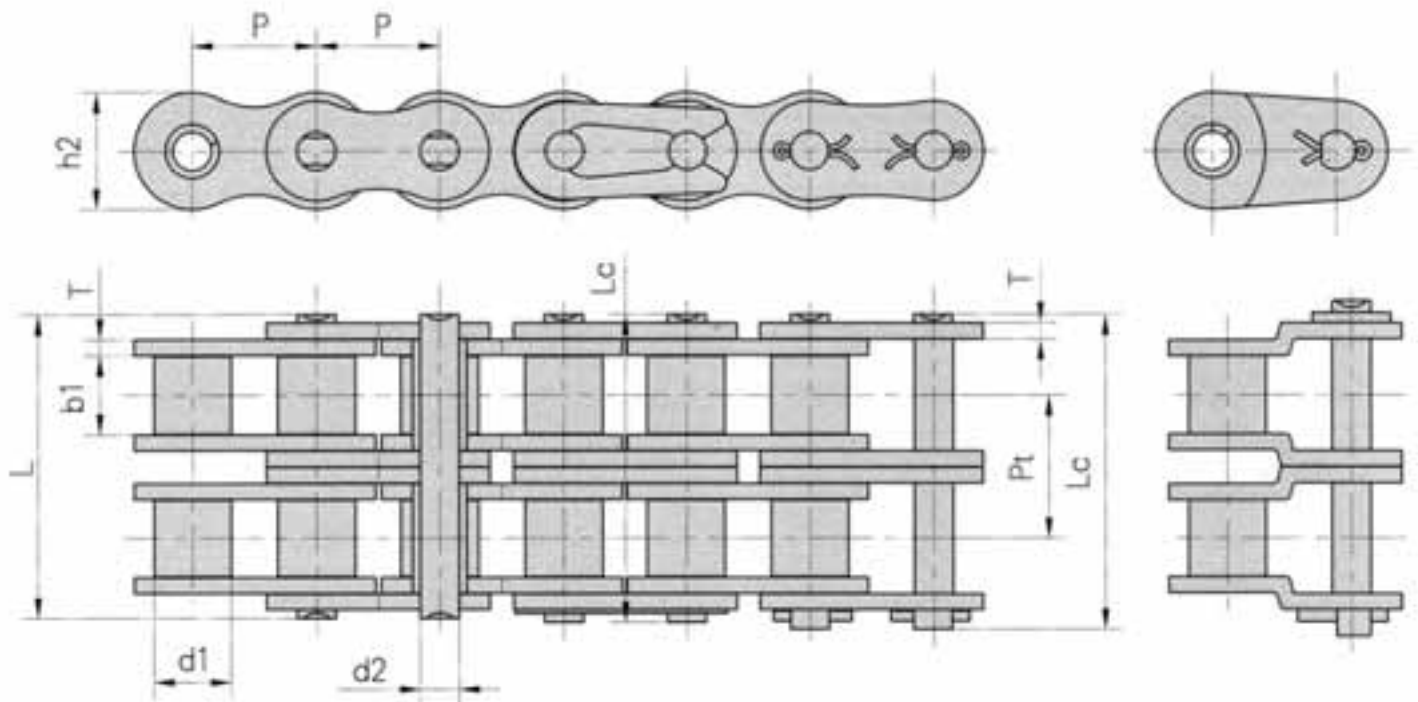
YOUR LINK TO QUALITY.

## PRECISION SINGLE STRAND ROLLER CHAIN



ANSI CHAIN NUMBER	PITCH	ROLLER DIA.	WIDTH BETWEEN INNER PLATES	PIN DIA.	PIN LENGTH		INNER PLATE DEPTH	PLATE THICK- NESS	ULTIMATE TENSILE STRENGTH	AVERAGE TENSILE STRENGTH	WEIGHT PER FOOT
	P	d1 max	b1 min	d2 max	L max	Lc max	h2 max	T max	Q min	Qo	q
	inch	inch	inch	inch	inch	inch	inch	inch	lb	lb	lb/ft
25-1R	0.250	0.130	0.125	0.091	0.311	0.331	0.236	0.031	787	1034	0.101
35-1R	0.375	0.200	0.188	0.141	0.488	0.519	0.236	0.051	1776	2428	0.222
41-1R	0.500	0.306	0.246	0.141	0.541	0.591	0.354	0.051	1499	2833	0.276
40-1R	0.500	0.313	0.309	0.156	0.654	0.701	0.390	0.059	3170	3934	0.417
50-1R	0.625	0.400	0.370	0.200	0.815	0.874	0.472	0.080	4991	6609	0.685
60-1R	0.750	0.469	0.495	0.234	1.020	1.091	0.594	0.095	7149	9330	1.008
80-1R	1.000	0.625	0.620	0.312	1.287	1.378	0.709	0.128	12747	15602	1.747
100-1R	1.250	0.750	0.744	0.375	1.591	1.760	0.945	0.157	19896	24549	2.627
120-1R	1.500	0.875	0.993	0.437	1.980	2.138	1.181	0.189	28551	35138	3.777
140-1R	1.750	1.000	0.993	0.500	2.142	2.323	1.406	0.220	38757	47660	5.040
160-1R	2.000	1.125	1.242	0.562	2.551	2.740	1.614	0.252	50987	62700	6.787
180-1R	2.250	1.406	1.397	0.687	2.866	3.094	1.882	0.283	62992	76840	9.038
200-1R	2.500	1.562	1.490	0.781	3.161	3.433	2.110	0.315	79538	97028	10.852
240-1R	3.000	1.875	1.864	0.937	3.760	4.055	2.362	0.374	114721	139844	15.590

# PRECISION DOUBLE STRAND ROLLER CHAIN



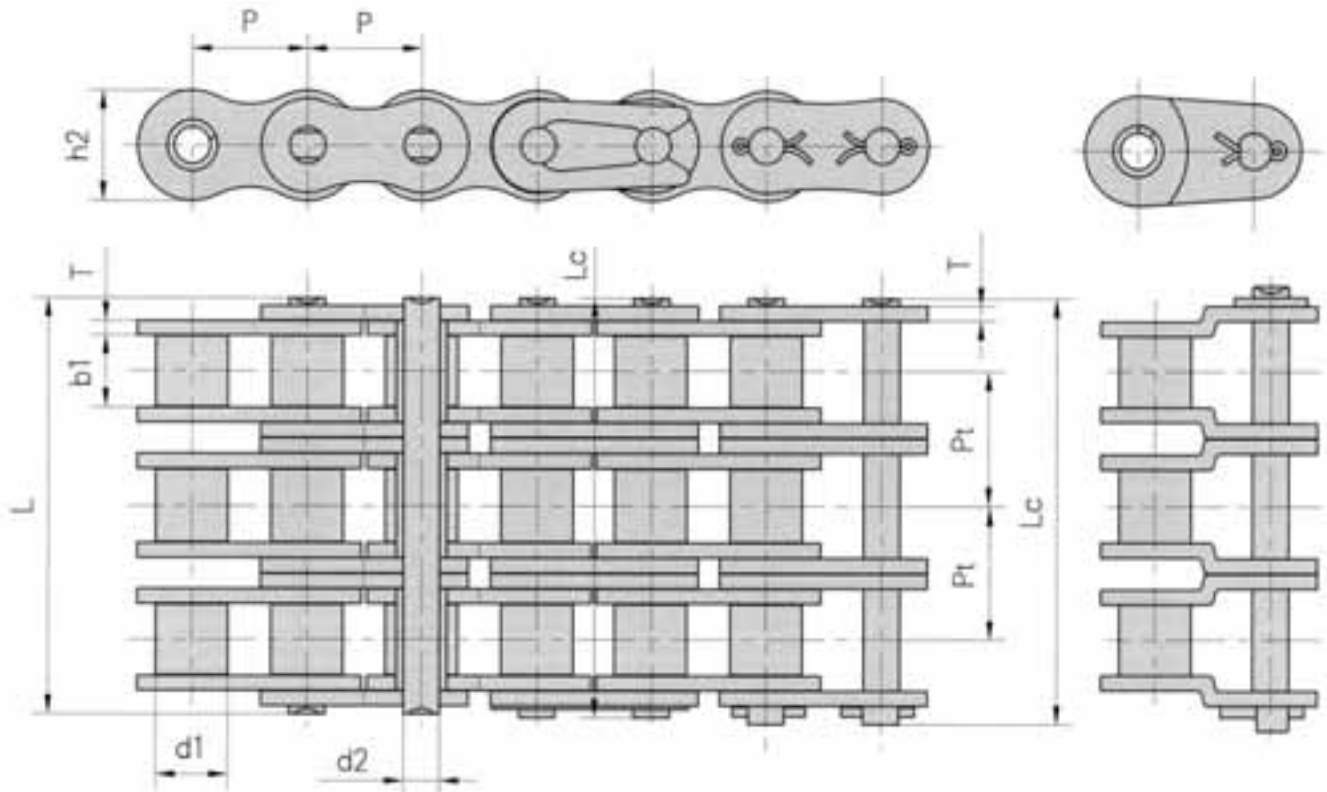
ANSI CHAIN NUMBER	PITCH	ROLLER DIA.	WIDTH BETWEEN INNER PLATES	PIN DIA.	PIN LENGTH		INNER PLATE DEPTH	PLATE THICK- NESS	TRANS- VERSE PITCH	ULTIMATE TENSILE STRENGTH	AVERAGE TENSILE STRENGTH	WEIGHT PER FOOT
	P	d1 max	b1 max	d2 max	L max	Lc max	h2 max	T max	Pt	Q min	Qo min	q
	inch	inch	inch	inch	inch	inch	inch	inch	inch	lb.	lb.	lb./ft
25-2R	0.250	0.130	0.125	0.091	0.57	0.59	0.236	0.031	0.252	1574	1933	0.188
35-2R	0.375	0.200	0.188	0.141	0.89	0.92	0.236	0.051	0.399	3552	4429	0.423
41-2R	0.500	0.306	0.246	0.141	1.01	1.06	0.354	0.051	0.470	2999	3799	0.544
40-2R	0.500	0.313	0.309	0.156	1.22	1.27	0.390	0.059	0.566	6340	8071	0.753
50-2R	0.625	0.400	0.370	0.200	1.53	1.59	0.472	0.080	0.713	9982	13061	1.344
60-2R	0.750	0.469	0.495	0.234	1.92	1.99	0.594	0.095	0.897	14298	18457	1.962
80-2R	1.000	0.625	0.620	0.312	2.47	2.53	0.709	0.128	1.153	25493	31878	3.461
100-2R	1.250	0.750	0.744	0.375	3.01	3.17	0.945	0.157	1.408	39791	49323	5.241
120-2R	1.500	0.875	0.993	0.437	3.77	3.93	1.181	0.189	1.789	57102	70793	7.862
140-2R	1.750	1.000	0.993	0.500	4.07	4.25	1.406	0.220	1.924	77514	96106	10.174
160-2R	2.000	1.125	1.242	0.562	4.85	5.04	1.614	0.252	2.305	101974	126433	13.534
180-2R	2.250	1.406	1.397	0.687	5.46	5.69	1.882	0.283	2.592	126006	156243	19.635
200-2R	2.500	1.562	1.490	0.781	5.98	6.25	2.110	0.315	2.817	159076	197248	21.665
240-2R	3.000	1.875	1.864	0.937	7.22	7.51	2.362	0.374	3.458	229441	282204	30.393

# TRITAN

## PRECISION ROLLER CHAIN

YOUR LINK TO QUALITY.

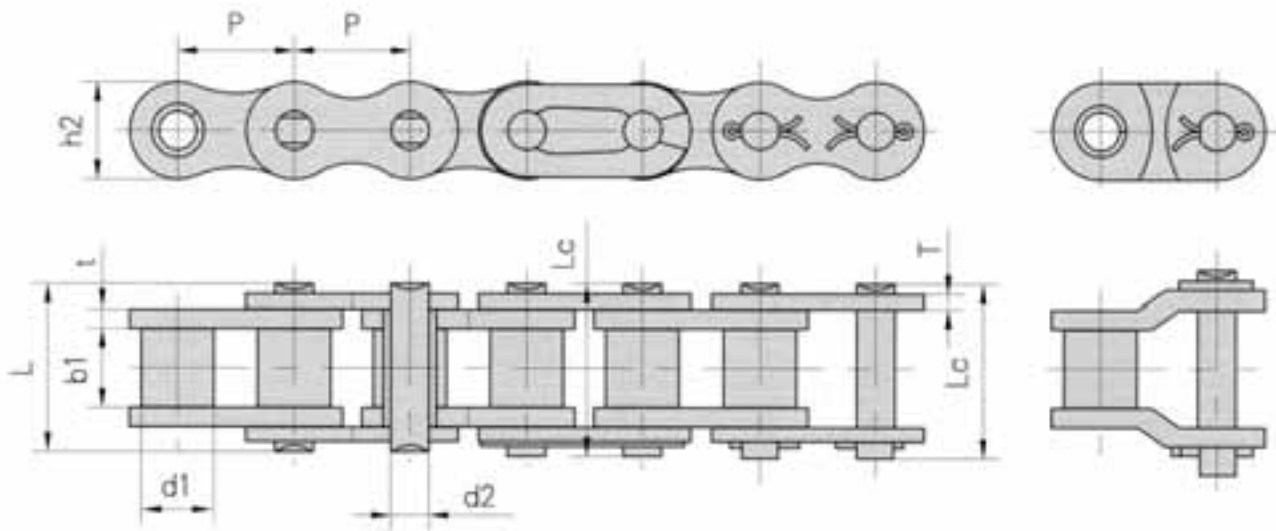
## PRECISION TRIPLE STRAND ROLLER CHAIN



ANSI CHAIN NUMBER	PITCH	ROLLER DIA.	WIDTH BETWEEN INNER PLATES	PIN DIA.	PIN LENGTH		INNER PLATE DEPTH	PLATE THICK- NESS	TRANS- VERSE PITCH	ULTIMATE TENSILE STRENGTH	AVERAGE TENSILE STRENGTH	WEIGHT PER FOOT
	P	d1 max	b1 max	d2 max	L max	Lc max	h2 max	T max	Pt	Q min	Qo min	q
	inch	inch	inch	inch	inch	inch	inch	inch	inch	lb.	lb.	lb./ft
25-3R	0.250	0.130	0.125	0.091	0.83	0.85	0.236	0.031	0.252	2361	2833	0.296
35-3R	0.375	0.200	0.188	0.141	1.29	1.32	0.354	0.051	0.399	5328	6430	0.706
40-3R	0.500	0.313	0.309	0.156	1.79	1.83	0.472	0.059	0.566	9509	11241	1.277
50-3R	0.625	0.400	0.370	0.200	2.24	2.30	0.594	0.080	0.713	14972	17490	2.076
60-3R	0.750	0.469	0.495	0.234	2.81	2.89	0.709	0.095	0.897	21447	24976	3.051
80-3R	1.000	0.625	0.620	0.312	3.61	3.69	0.945	0.128	1.153	38240	44602	5.302
100-3R	1.250	0.750	0.744	0.375	4.42	4.57	1.181	0.157	1.408	59687	69601	7.909
120-3R	1.500	0.875	0.993	0.437	5.57	5.72	1.406	0.189	1.789	85653	98287	11.780
140-3R	1.750	1.000	0.993	0.500	5.99	6.17	1.614	0.220	1.924	116272	133380	14.918
160-3R	2.000	1.125	1.242	0.562	7.16	7.35	1.882	0.252	2.305	152961	175487	20.173
180-3R	2.250	1.406	1.397	0.687	8.05	8.28	2.110	0.283	2.592	188998	221123	25.683
200-3R	2.500	1.562	1.490	0.781	8.80	9.07	2.362	0.315	2.817	238613	273774	32.947
240-3R	3.000	1.875	1.864	0.937	10.68	10.97	2.850	0.374	3.458	344162	394879	48.114



## PRECISION SINGLE STRAND ROLLER METRIC CHAIN



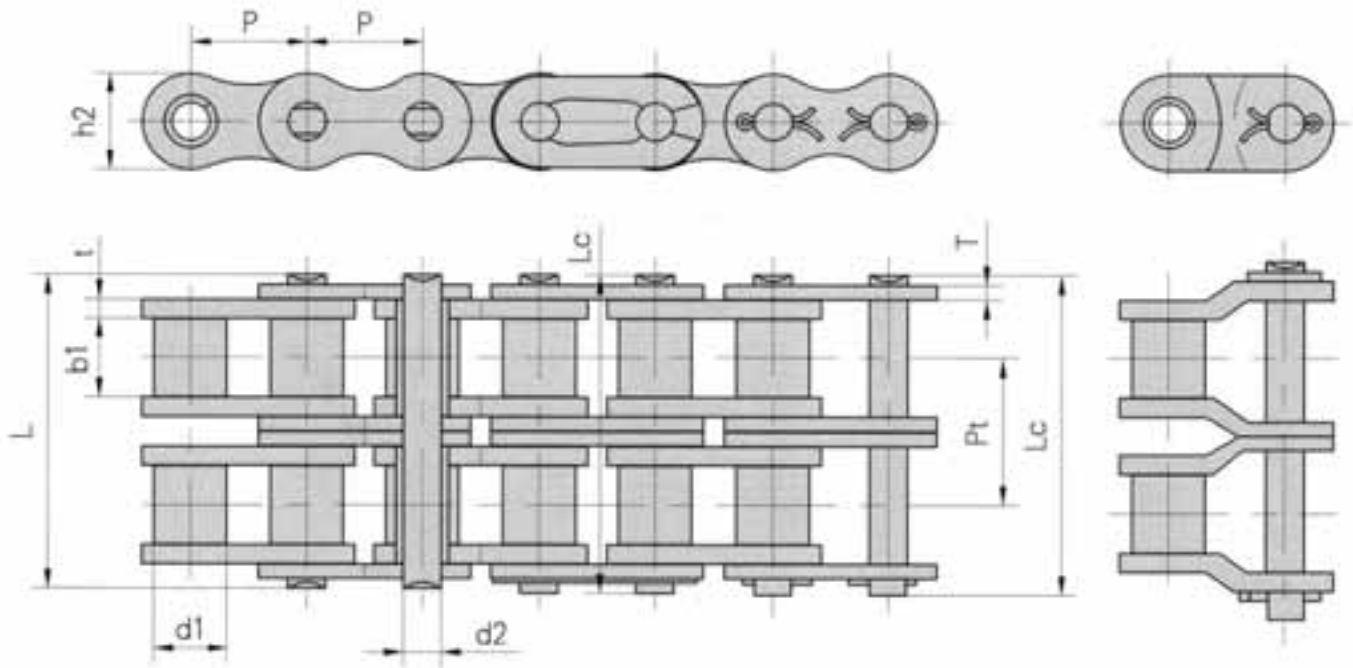
BS/ISO CHAIN NUMBER	PITCH	ROLLER DIA.	WIDTH BETWEEN INNER PLATES	PIN DIA.	PIN LENGTH		INNER PLATE DEPTH	PLATE THICK- NESS	ULTIMATE TENSILE STRENGTH	AVERAGE TENSILE STRENGTH	WEIGHT PER FOOT					
					L	Lc						h2	t/T	Q	Qo	q
04B-1R	6.000	4.000	2.800	1.850	6.800	7.800	5.00	0.600	3.000	3.200	0.110					
05B-1R	8.000	5.000	3.000	2.310	8.200	8.900	7.10	0.800	5.000	5.900	0.200					
06B-1R	9.525	6.350	5.720	3.280	13.150	14.100	8.20	1.300	9.000	10.400	0.410					
08B-1R	12.700	8.510	7.750	4.450	16.700	18.200	11.80	1.600	18.000	19.400	0.690					
10B-1R	15.875	10.160	9.650	5.080	19.500	20.900	14.70	1.700	22.400	27.500	0.930					
12B-1R	19.050	12.070	11.680	5.720	22.500	24.200	16.00	1.850	29.000	32.200	1.150					
16B-1R	25.400	15.880	17.020	8.280	36.100	37.400	21.00	4.14/3.1	60.000	72.800	2.710					
20B-1R	31.750	19.050	19.560	10.190	41.300	45.000	26.40	4.5/3.5	95.000	106.700	3.700					
24B-1R	38.100	25.400	25.400	14.630	53.400	57.800	33.20	6.0/4.8	160.000	178.000	7.100					
28B-1R	44.450	27.940	30.990	15.900	65.100	69.500	36.70	7.5/6.0	200.000	222.000	8.500					
32B-1R	50.800	29.210	30.990	17.810	66.000	71.000	42.00	7.0/6.0	250.000	277.500	10.250					
40B-1R	63.500	39.370	38.100	22.890	82.200	89.200	52.96	8.5/8.0	355.000	394.000	16.350					
48B-1R	76.200	48.260	45.720	29.240	99.100	107.000	63.80	12.0/10.0	560.000	621.600	25.000					
56B-1R	88.900	53.980	53.340	34.320	114.600	123.000	77.80	13.5/12.0	850.000	940.000	35.780					
64B-1R	101.600	63.500	60.960	39.400	130.000	138.500	90.170	15.0/13.0	1132.000	1240.000	46.000					
72B-1R	114.300	72.390	68.580	44.480	147.400	156.400	103.600	17.0/15.0	1400.000	1550.000	60.800					

# TRITAN

## PRECISION ROLLER CHAIN

YOUR LINK TO QUALITY.

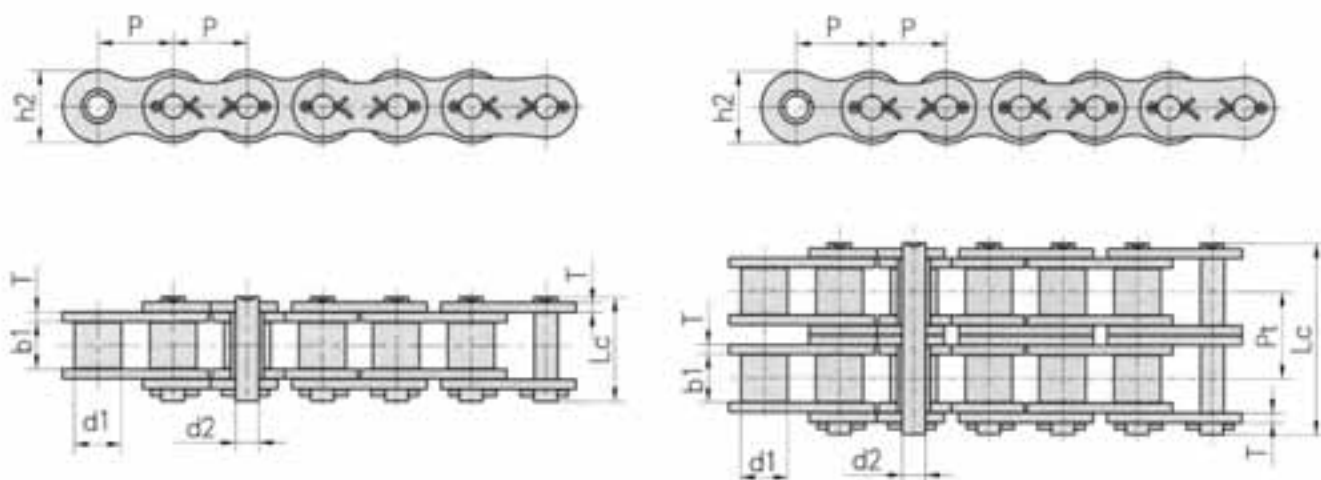
## PRECISION ROLLER METRIC DOUBLE STRAND CHAIN



ANSI CHAIN NUMBER	PITCH	ROLLER DIA.	WIDTH BETWEEN INNER PLATES	PIN DIA.	PIN LENGTH		INNER PLATE DEPTH	PLATE THICK- NESS	TRANS- VERSE PITCH	ULTIMATE TENSILE STRENGTH	AVERAGE TENSILE STRENGTH	WEIGHT PER FOOT
	P	d1 max	b1 max	d2 max	L max	Lc max	h2 max	t/T max	Pt	Q min	Qo min	q
	mm	mm	mm	mm	mm	mm	mm	mm	mm	kN	kN	kg/m
05B-2R	8.000	5.000	3.000	2.310	13.9	14.5	7.100	0.800	5.640	7.800	10.200	0.330
06B-2R	9.525	6.350	5.720	3.280	23.4	24.4	8.200	1.300	10.240	16.900	18.700	0.770
08B-2R	12.700	8.510	7.750	4.450	31.2	32.2	11.800	1.600	13.920	32.000	38.700	1.340
10B-2R	15.875	10.160	9.650	5.080	36.1	37.5	14.700	1.700	16.590	44.500	56.200	1.840
12B-2R	19.050	12.070	11.680	5.720	42	43.6	16.000	1.850	19.460	57.800	66.100	2.310
16B-2R	25.400	15.880	17.020	8.280	68	69.3	21.000	4.15/3.1	31.880	106.000	133.000	5.420
20B-2R	31.750	19.050	19.560	10.190	77.8	81.5	26.400	4.4/3.5	36.450	170.000	211.200	7.200
24B-2R	38.100	25.400	25.400	14.630	101.7	106.2	33.200	6.0/4.8	48.360	280.000	319.200	13.400
28B-2R	44.450	27.940	30.990	15.900	124.6	129.1	36.700	7.5/6.0	59.560	360.000	406.800	16.600
32B-2R	50.800	29.210	30.990	17.810	124.6	129.6	42.000	7.0/6.0	58.550	450.000	508.500	21.000
40B-2R	63.500	39.370	38.100	22.890	154.5	161.5	52.960	8.5/8.0	72.290	630.000	711.900	32.000
48B-2R	76.200	48.260	45.720	29.240	190.4	198.2	63.800	12.0/10.0	91.210	1000.000	1130.000	50.000
56B-2R	88.900	53.980	53.340	34.320	221.2	229.6	77.800	13.5/12.0	106.600	1600.000	1760.000	71.480
64B-2R	101.600	63.500	60.960	39.400	249.9	258.4	90.170	15.0/13.0	119.890	2000.000	2200.000	91.000
72B-2R	114.300	72.390	68.580	44.480	283.7	292.7	103.6	17.0/15.0	136.270	2500.000	2750.000	120.400



## PRECISION ROLLER COTTERED SINGLE STRAND AND DOUBLE STRAND CHAIN



ANSI CHAIN NUMBER	PITCH P	ROLLER DIA. d1	WIDTH BETWEEN INNER PLATES b1	PIN DIA. d2	PIN LENGTH		INNER PLATE DEPTH h2	PLATE THICK- NESS T	TRANS VERSE PITCH Pt	ULTIMATE TENSILE STRENGTH Q	AVERAGE TENSILE STRENGTH Qo	WEIGHT PER FOOT q
					L	Lc						
					max	max						
50-1C	0.625	0.400	0.370	0.200		0.917	0.59	0.060		4990.782	6609.414	0.685
60-1C	0.750	0.469	0.495	0.234		1.114	0.71	0.095		7148.958	9329.615	1.008
80-1C	1.000	0.625	0.620	0.312		1.437	0.94	0.128		12746.727	15601.814	1.747
100-1C	1.250	0.750	0.744	0.375		1.760	1.18	0.157		19895.685	24549.252	2.627
120-1C	1.500	0.875	0.993	0.437		2.138	1.41	0.189		28550.670	35137.803	3.777
140-1C	1.750	1.000	0.993	0.500		2.323	1.61	0.220		38757.244	47659.720	5.040
160-1C	2.000	1.125	1.242	0.562		2.740	1.88	0.252		50966.908	62699.509	6.767
180-1C	2.250	1.406	1.397	0.687		3.094	2.11	0.283		62991.762	76840.058	9.038
200-1C	2.500	1.562	1.490	0.781		3.433	2.36	0.315		79537.778	97027.996	10.852
240-1C	3.000	1.875	1.864	0.937		4.055	2.85	0.374		114720.543	139944.225	15.590
50-2C	0.625	0.400	0.370	0.200		1.622	0.59	0.060	0.713	9981.564	13061.461	1.344
60-2C	0.750	0.469	0.495	0.234		2.012	0.71	0.095	0.897	14297.916	18456.901	1.962
80-2C	1.000	0.625	0.620	0.312		2.591	0.94	0.128	1.153	25493.454	31878.058	3.461
100-2C	1.250	0.750	0.744	0.375		3.169	1.18	0.157	1.408	39791.370	49323.314	5.241
120-2C	1.500	0.875	0.993	0.437		3.925	1.41	0.189	1.789	57101.740	70792.669	7.862
140-2C	1.750	1.000	0.993	0.500		4.248	1.61	0.220	1.924	77514.488	96106.275	10.174
160-2C	2.000	1.125	1.242	0.562		5.043	1.88	0.252	2.305	101973.816	126433.144	13.534
180-2C	2.250	1.406	1.397	0.687		5.685	2.11	0.283	2.592	126006.005	156242.950	19.635
200-2C	2.500	1.562	1.490	0.781		6.252	2.36	0.315	2.817	159075.556	197248.294	21.665
240-2C	3.000	1.875	1.864	0.937		7.512	2.85	0.374	3.458	229441.086	282203.993	30.393

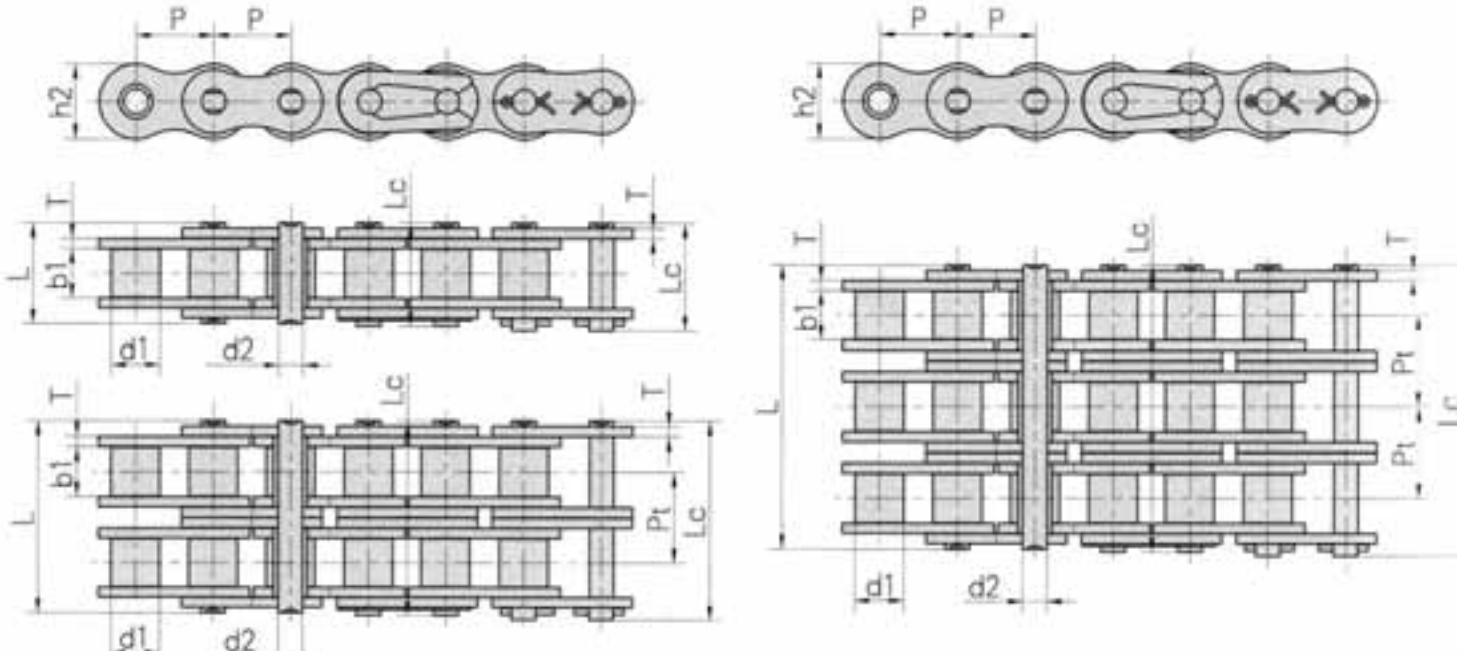


# TRITAN

## PRECISION ROLLER CHAIN

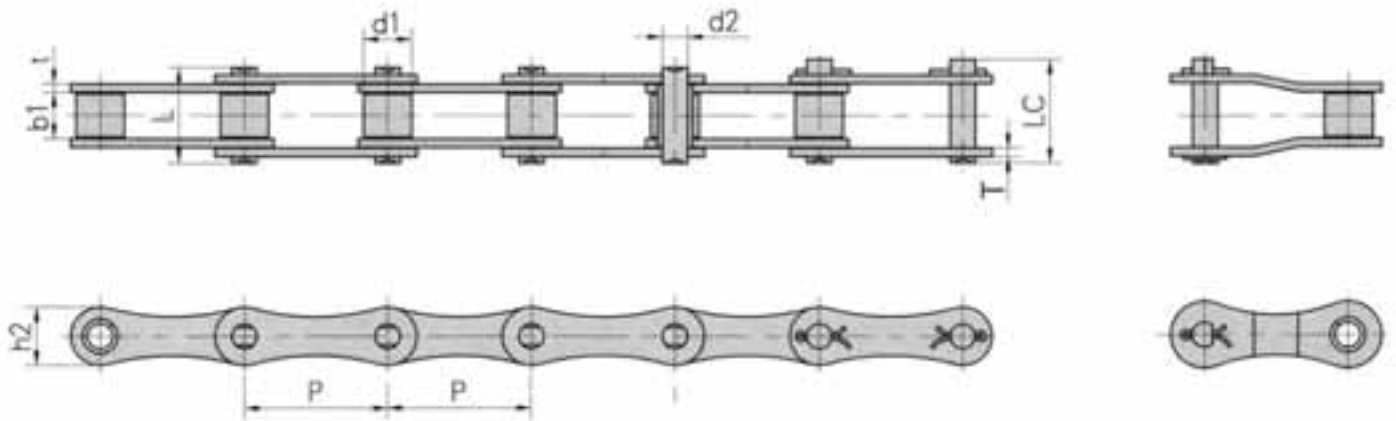
YOUR LINK TO QUALITY.

## PRECISION ROLLER HEAVY SERIES CHAIN



ANSI CHAIN NUMBER	PITCH P	ROLLER DIA. d1 max	WIDTH BETWEEN INNER PLATES b1 min	PIN DIA. d2 max	PIN LENGTH		INNER PLATE DEPTH h2 max	PLATE THICK- NESS T max	TRANS- VERSE PITCH Pt inch	ULTIMATE TENSILE STRENGTH Q min lb	AVERAGE TENSILE STRENGTH Qo lb	WEIGHT PER FOOT q lb/ft
					L	Lc						
					max inch	max inch						
35-1HR	0.375	0.200	0.188	0.141	0.524	0.563	0.35	0.06		1776	2428	0.276
40-1HR	0.500	0.313	0.309	0.156	0.740	0.783	0.47	0.08		3170	4294	0.551
50-1HR	0.625	0.400	0.370	0.200	0.870	0.921	0.59	0.10		4991	6789	0.840
60-1HR	0.750	0.469	0.495	0.234	1.150	1.220	0.71	0.13		7149	9599	1.257
80-1HR	1.000	0.625	0.620	0.312	1.425	1.484	0.94	0.16		12747	16051	2.083
100-1HR	1.250	0.750	0.744	0.375	1.717	1.846	1.18	0.19		19896	25269	3.037
120-1HR	1.500	0.875	0.993	0.437	2.106	2.264	1.41	0.22		28551	36172	4.435
140-1HR	1.750	1.000	0.993	0.500	2.268	2.449	1.61	0.25		38757	48851	5.577
160-1HR	2.000	1.125	1.242	0.562	2.685	2.874	1.88	0.28		50987	64251	6.921
180-1HR	2.250	1.406	1.387	0.687	2.988	3.213	2.11	0.31		63172	78840	9.965
200-1HR	2.500	1.562	1.490	0.781	3.409	3.681	2.36	0.37		79538	99928	12.875
240-1HR	3.000	1.875	1.864	0.937	4.315	4.563	2.85	0.50		114721	139944	20.428
60-2HR	0.75	0.469	0.495	0.234	2.177	2.248	0.71	0.128	1.028	14298	18996	2.493
80-2HR	1.00	0.625	0.620	0.312	2.709	2.768	0.94	0.157	1.283	25493	32665	4.133
100-2HR	1.25	0.750	0.744	0.375	3.256	3.386	1.181	0.189	1.539	39791	50785	6.068
120-2HR	1.50	0.875	0.993	0.437	4.031	4.189	1.406	0.220	1.924	57102	72546	8.823
140-2HR	1.75	1.000	0.993	0.500	4.323	4.504	1.614	0.252	2.055	77514	98399	11.155
160-2HR	2.00	1.125	1.242	0.562	5.122	5.311	1.882	0.283	2.437	101974	128501	13.574
200-2HR	2.50	1.562	1.490	0.781	6.492	6.764	2.362	0.374	3.083	159076	201182	25.609
60-3HR	0.75	0.469	0.495	0.234	3.205	3.276	0.709	0.128	1.028	21447	25606	3.723
80-3HR	1.00	0.625	0.620	0.312	3.992	4.051	0.945	0.157	1.283	38240	45749	6.330
100-3HR	1.25	0.750	0.744	0.375	4.795	4.925	1.181	0.189	1.539	59687	70770	8.709
120-3HR	1.50	0.875	0.993	0.437	5.953	6.110	1.406	0.220	1.924	85653	99973	13.198
140-3HR	1.75	1.000	0.993	0.500	6.378	6.559	1.614	0.252	2.055	116272	134528	16.732
160-3HR	2.00	1.125	1.242	0.562	7.559	7.748	1.882	0.283	2.437	152961	176993	20.226
200-3HR	2.50	1.562	1.490	0.781	9.575	9.846	2.362	0.374	3.083	238613	276112	38.343

## PRECISION ROLLER DOUBLE PITCH CHAIN



ANSI CHAIN NUMBER	PITCH	ROLLER DIA.	WIDTH BETWEEN INNER PLATES	PIN DIA.	PIN LENGTH		INNER PLATE DEPTH	PLATE THICK-NESS	ULTIMATE TENSILE STRENGTH	AVERAGE TENSILE STRENGTH	WEIGHT PER FOOT
	P	d1 max	b1 min	d2 max	L max	Lc max	h2 max	T max	Q min	Qo	q
	inch	inch	inch	inch	inch	inch	inch	inch	lb	lb	lb/ft
2040	1.000	0.313	0.309	0.156	0.654	0.701	0.47	0.059	3170	3754	0.282
2050	1.250	0.400	0.370	0.200	0.815	0.874	0.59	0.080	4991	6317	0.491
2060	1.500	0.469	0.495	0.234	1.020	1.091	0.71	0.095	7149	8273	0.685
2080	2.000	0.625	0.620	0.312	1.287	1.437	0.94	0.128	12747	14770	1.142
2080H	2.000	0.625	0.620	0.312	1.425	1.551	0.94	0.157	12747	15737	1.458
2100	2.500	0.750	0.744	0.375	1.591	1.760	1.18	0.157	19896	23987	1.714
2120	3.000	0.875	0.993	0.437	1.980	2.138	1.41	0.189	28551	40016	2.728



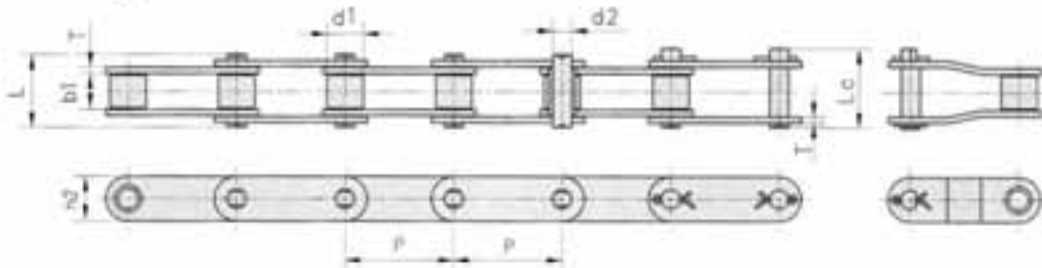
# TRITAN

PRECISION ROLLER CHAIN

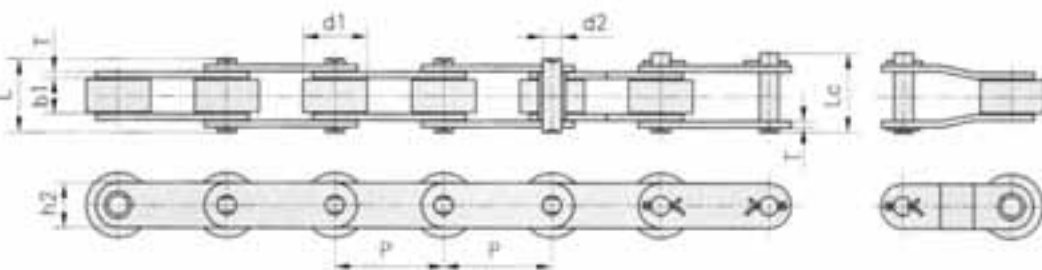
YOUR LINK TO QUALITY.

## PRECISION ROLLER DOUBLE PITCH CONVEYOR CHAIN

Small Roller Type



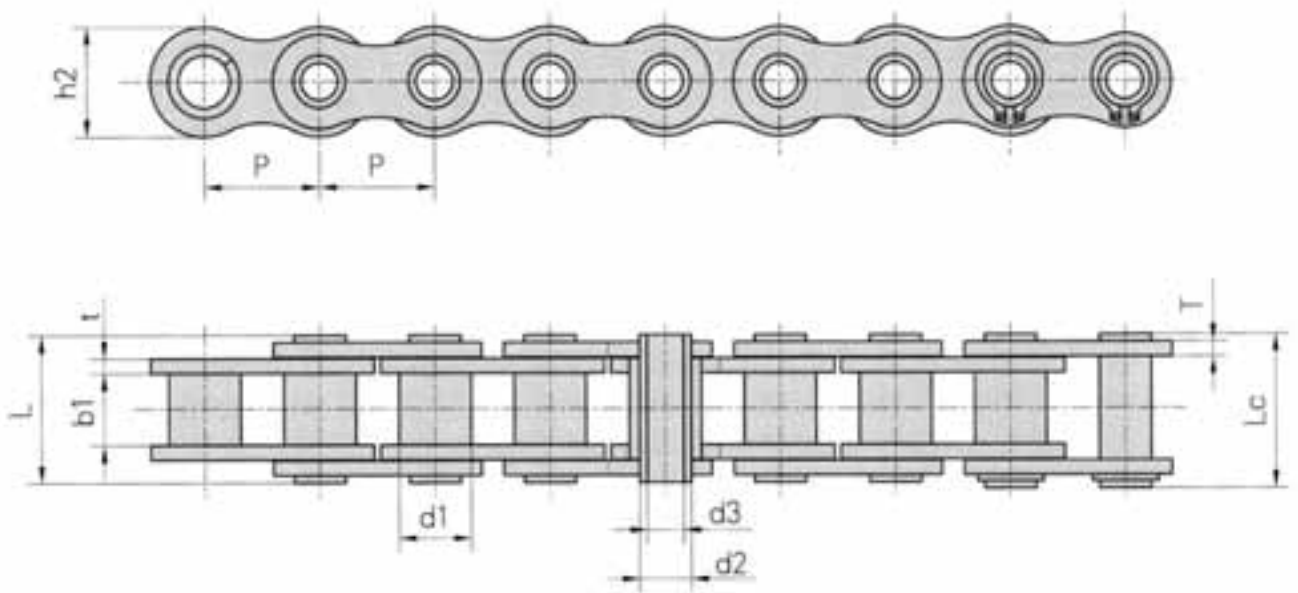
Large Roller Type



ANSI CHAIN NUMBER	PITCH P	ROLLER DIA. d1 max	WIDTH BETWEEN INNER PLATES b1 min	PIN DIA. d2 max	PIN LENGTH		INNER PLATE DEPTH h2 max	PLATE THICK- NESS T max	ULTIMATE TENSILE STRENGTH Q min	AVERAGE TENSILE STRENGTH Qo	WEIGHT PER FOOT q
					L	Lc					
					max	max					
	inch	inch	inch	inch	inch	inch	inch	inch	lb	lb	lb/ft
C2040	1.00	0.313	0.309	0.156	0.654	0.701	0.47	0.059	3170	3754	0.336
C2042	1.00	0.625	0.309	0.156	0.654	0.701	0.47	0.059	3170	3754	0.564
C2040H	1.00	0.313	0.309	0.156	0.740	0.783	0.47	0.080	3170	3867	0.437
C2050	1.25	0.400	0.370	0.200	0.815	0.874	0.59	0.080	4991	6317	0.524
C2052	1.25	0.750	0.370	0.200	0.815	0.874	0.59	0.080	4991	6317	0.853
C2060	1.50	0.469	0.495	0.234	1.020	1.091	0.71	0.095	7149	8273	0.753
C2062	1.50	0.875	0.495	0.234	1.020	1.091	0.71	0.095	7149	8273	1.082
C2060H	1.50	0.469	0.495	0.234	1.150	1.244	0.71	0.128	7149	9352	0.968
C2062H	1.50	0.875	0.495	0.234	1.150	1.244	0.71	0.128	7149	9352	1.391
C2080	2.00	0.625	0.620	0.312	1.287	1.437	0.94	0.128	12747	14770	1.398
C2082	2.00	1.125	0.620	0.312	1.287	1.437	0.94	0.128	12747	14770	2.097
C2080H	2.00	0.625	0.620	0.312	1.425	1.551	0.94	0.157	12747	15737	1.707
C2082H	2.00	1.125	0.620	0.312	1.425	1.551	0.94	0.157	12747	15737	2.406
C2100	2.50	0.750	0.744	0.375	1.591	1.760	1.18	0.157	19896	23066	2.023
C2102	2.50	1.562	0.744	0.375	1.591	1.760	1.18	0.157	19896	23066	3.246
C2100H	2.50	0.750	0.744	0.375	1.717	1.846	1.18	0.189	19896	25269	2.392
C2102H	2.50	1.562	0.744	0.375	1.717	1.846	1.18	0.189	19896	25269	3.615
C2120	3.00	0.875	0.993	0.437	1.980	2.138	1.406	0.189	28551	33115	3.091
C2122	3.00	1.750	0.993	0.437	1.980	2.138	1.406	0.189	28551	33115	5.107
C2120H	3.00	0.875	0.993	0.437	2.106	2.264	1.406	0.220	28551	36172	3.535
C2122H	3.00	1.750	0.993	0.437	2.106	2.264	1.406	0.220	28551	36172	5.551
C2160	4.00	1.125	1.250	0.562	2.551	2.740	1.882	0.252	50987	62700	5.477
C2162	4.00	2.250	1.250	0.562	2.551	2.740	1.882	0.252	50987	62700	8.736
C2160H	4.00	1.125	1.250	0.562	2.685	2.874	1.882	0.283	50987	64251	6.088
C2162H	4.00	2.250	1.250	0.562	2.685	2.874	1.882	0.283	50987	64251	8.581



## PRECISION ROLLER HOLLOW PIN CHAIN



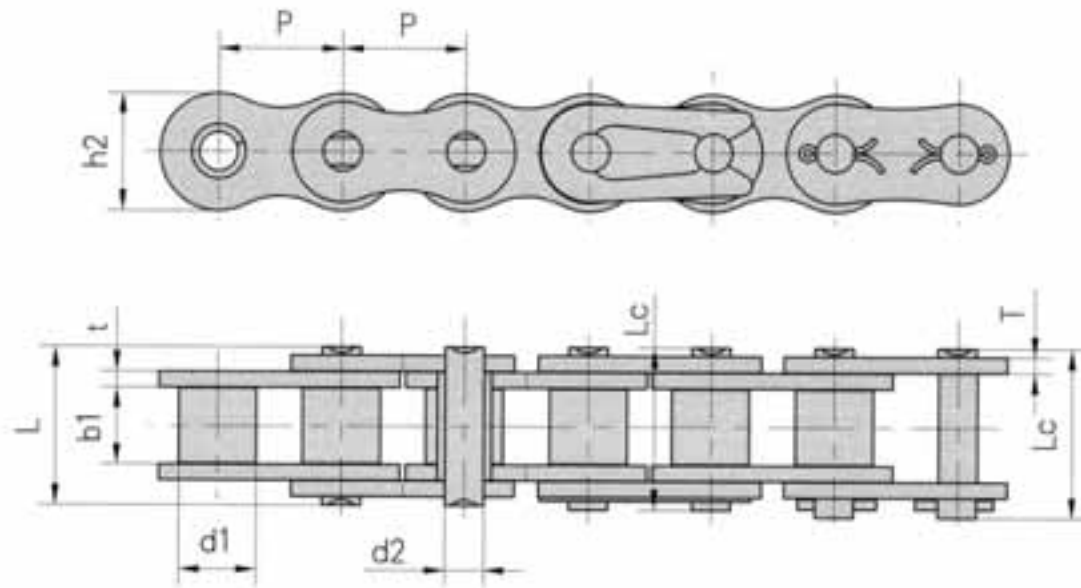
ANSI CHAIN NUMBER	PITCH  P	BUSHING DIA.  d1 max inch	WIDTH BETWEEN INNER PLATES  b1 min inch	PIN DIA.		PIN LENGTH		INNER PLATE DEPTH  h2 max inch	PLATE THICK- NESS  T max inch	ULTIMATE TENSILE STRENGTH  Q min lb	AVERAGE TENSILE STRENGTH  Qo lb	WEIGHT PER FOOT  q lb/ft
				d2	d3	L	Lc					
				max inch		max inch	max inch					
40-1HP	0.500	0.313	0.309	.220	.16	0.650	0.693	0.47	0.059	2473	2743	0.363
50-1HP	0.625	0.400	0.370	.280	.200	0.815	0.862	0.59	0.080	4496	5081	0.611
60-1HP	0.750	0.469	0.500	.330	.24	1.016	1.055	0.71	0.095	5395	6047	0.867
80-1HP	1.000	0.625	0.620	.450	.320	1.280	1.331	0.94	0.128	11241	11690	1.519

# TRITAN

PRECISION ROLLER CHAIN

YOUR LINK TO QUALITY.

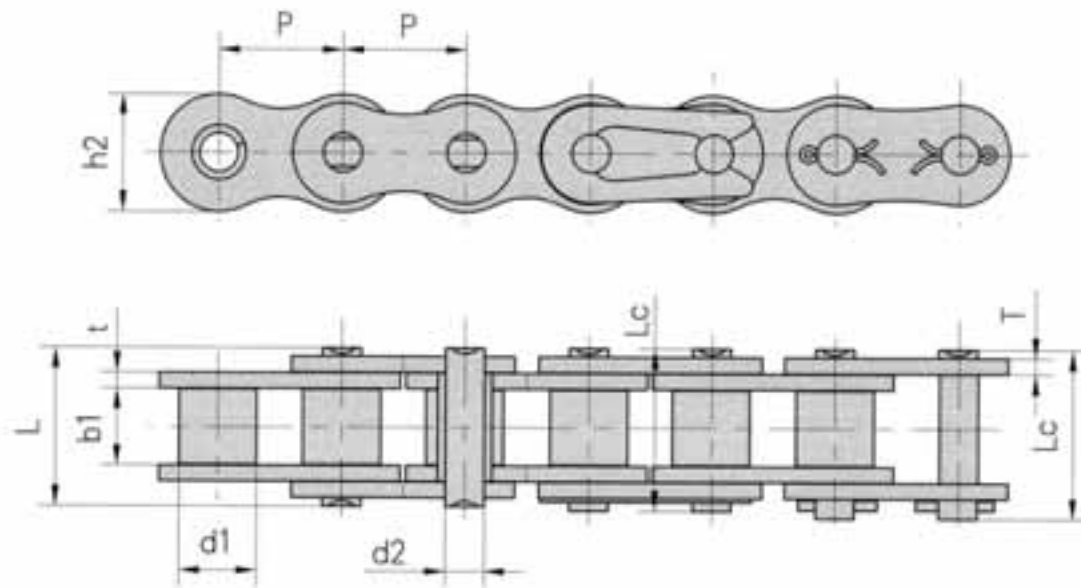
## PRECISION ROLLER NICKEL PLATED CHAIN



ANSI CHAIN NUMBER	PITCH  P	ROLLER DIA.  d1 max	WIDTH BETWEEN INNER PLATES  b1 min	PIN DIA.  d2 max	PIN LENGTH		INNER PLATE DEPTH  h2 max	PLATE THICK- NESS  T max	BREAKING LOAD  Q min	AVERAGE TENSILE STRENGTH  Qo	WEIGHT PER FOOT  q
					L	Lc					
					max	max					
	inch	inch	inch	inch	inch	inch	inch	inch	lb	lb	lb/ft
25-1NP	0.250	0.130	0.125	0.091	0.311	0.331	0.24	0.031	787		0.101
35-1NP	0.375	0.200	0.188	0.141	0.488	0.519	0.35	0.051	1776		0.222
41-1NP	0.500	0.306	0.246	0.141	0.541	0.591	0.39	0.051	1499		0.276
40-1NP	0.500	0.313	0.309	0.156	0.654	0.701	0.47	0.059	3170		0.417
50-1NP	0.625	0.400	0.370	0.200	0.815	0.874	0.59	0.080	4991		0.685
60-1NP	0.750	0.469	0.490	0.234	1.020	1.091	0.71	0.095	7149		1.008
80-1NP	1.000	0.625	0.620	0.312	1.287	1.378	0.94	0.128	12747		1.747
100-1NP	1.250	0.750	0.744	0.375	1.591	1.760	1.18	0.157	19896		2.627
120-1NP	1.500	0.875	0.993	0.437	1.980	2.138	1.41	0.189	28551		3.777
140-1NP	1.750	1.000	0.993	0.500	2.142	2.323	1.61	0.220	38757		5.040
160-1NP	2.000	1.125	1.242	0.562	2.551	2.740	1.88	0.252	50987		6.787

## PRECISION ROLLER DACROMET PLATED CHAIN

(DACROMET PLATED CHAINS ARE RECOMMENDED FOR CORROSIVE CONDITIONS)



ANSI CHAIN NUMBER	PITCH	ROLLER DIA.	WIDTH BETWEEN INNER PLATES	PIN DIA.	PIN LENGTH		INNER PLATE DEPTH	PLATE THICK- NESS	BREAKING LOAD	AVERAGE TENSILE STRENGTH	WEIGHT PER FOOT
	P	d1 max	b1 min	d2 max	L max	Lc max	h2 max	T max	Q min	Qo	q
	inch	inch	inch	inch	inch	inch	inch	inch	lb	lb	lb/ft
25-1DR	0.250	0.130	0.125	0.091	0.311	0.331	0.24	0.031	787		0.101
35-1DR	0.375	0.200	0.188	0.141	0.488	0.519	0.35	0.051	1776		0.222
41-1DR	0.500	0.306	0.246	0.141	0.541	0.591	0.39	0.051	1499		0.276
40-1DR	0.500	0.313	0.309	0.156	0.654	0.701	0.47	0.059	3170		0.417
50-1DR	0.625	0.400	0.370	0.200	0.815	0.874	0.59	0.080	4991		0.685
60-1DR	0.750	0.469	0.490	0.234	1.020	1.091	0.71	0.095	7149		1.008
80-1DR	1.000	0.625	0.620	0.312	1.287	1.378	0.94	0.128	12747		1.747
100-1DR	1.250	0.750	0.744	0.375	1.591	1.760	1.18	0.157	19896		2.627
120-1DR	1.500	0.875	0.993	0.437	1.980	2.138	1.41	0.189	28551		3.777
140-1DR	1.750	1.000	0.993	0.500	2.142	2.323	1.61	0.220	38757		5.040
160-1DR	2.000	1.125	1.242	0.562	2.551	2.740	1.88	0.252	50987		6.787

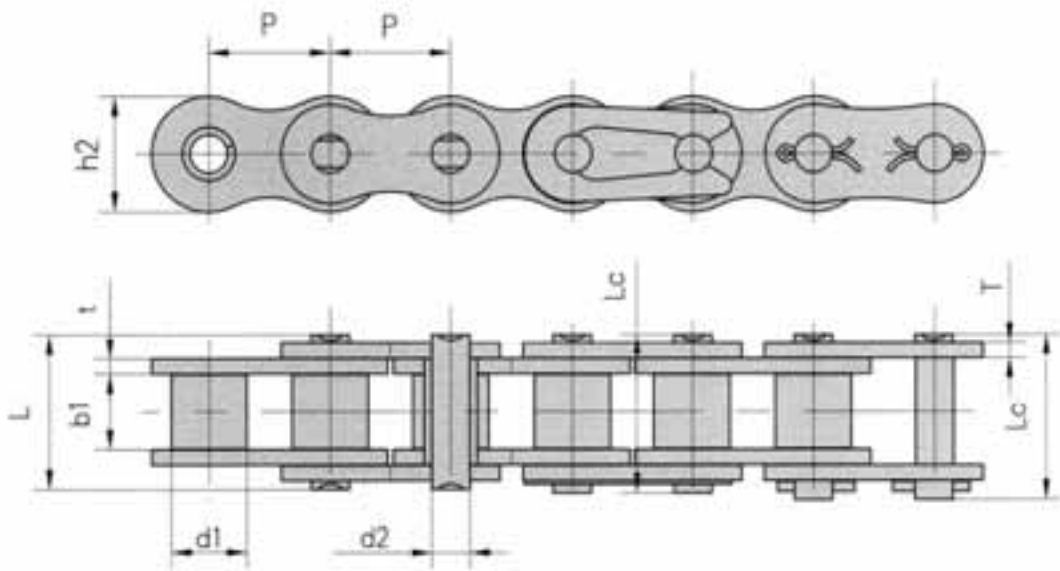


# TRITAN

PRECISION ROLLER CHAIN

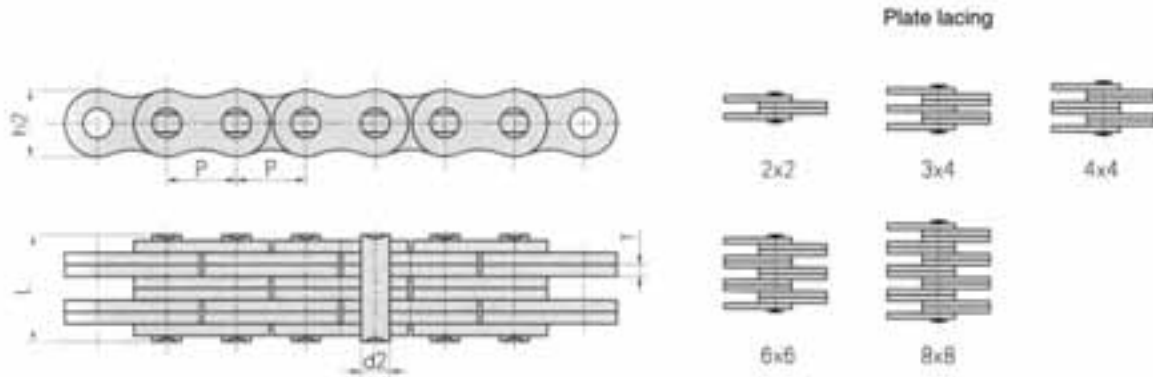
YOUR LINK TO QUALITY.

## PRECISION ROLLER STAINLESS STEEL CHAIN



ANSI CHAIN NUMBER	PITCH	ROLLER DIA.	WIDTH BETWEEN INNER PLATES	PIN DIA.	PIN LENGTH		INNER PLATE DEPTH	PLATE THICK- NESS	BREAKING LOAD	AVERAGE TENSILE STRENGTH	WEIGHT PER FOOT
	P	d1 max	b1 min	d2 max	L max	Lc max	h2 max	T max	Q min	Qo	q
	inch	inch	inch	inch	inch	inch	inch	inch	lb	lb	lb/ft
25-1SS	0.250	0.130	0.125	0.091	0.311	0.331	0.24	0.031	562.03		0.150
35-1SS	0.375	0.200	0.188	0.141	0.488	0.519	0.35	0.051	1236.46		0.230
40-1SS	0.500	0.313	0.309	0.156	0.654	0.701	0.47	0.059	2158.18		0.400
41-1SS	0.500	0.306	0.246	0.141	0.541	0.591	0.39	0.051	1348.86		0.310
50-1SS	0.625	0.400	0.370	0.200	0.815	0.874	0.59	0.080	3417.11		0.660
60-1SS	0.750	0.469	0.495	0.234	1.020	1.091	0.71	0.095	4878.38		0.980
80-1SS	1.000	0.625	0.620	0.312	1.287	1.378	0.94	0.128	8745.11		1.690
100-1SS	1.250	0.750	0.744	0.375	1.591	1.760	1.18	0.157	13488.60		2.630
120-1SS	1.500	0.875	0.993	0.437	1.980	2.138	1.41	0.189	16298.73		3.870
140-1SS	1.750	1.000	0.993	0.500	2.142	2.323	1.61	0.220	21132.14		5.180

## LEAF CHAIN AL SERIES CHAIN



ANSI CHAIN NUMBER	PITCH	PLATE LACING	PLATE DEPTH	PIN DIA	PIN LENGTH	PLATE THICK- NESS	ULTIMATE TENSILE STRENGTH	AVERAGE TENSILE STRENGTH	WEIGHT PER FOOT
	P		h2 max	d2 max	L max	T max	Q min	Qo	q
	inch		inch	inch	inch	inch	lb	lb	lb/ft
AL322	0.375	2 X 2	0.303	0.141	0.268	0.051	2023	2293	0.15
AL344	0.375	4 X 4	0.303	0.141	0.457	0.051	4047	4496	0.31
AL422	0.500	2 X 2	0.409	0.156	0.327	0.059	3170	3799	0.26
AL444	0.500	4 X 4	0.409	0.156	0.567	0.059	6340	7913	0.50
AL466	0.500	6 X 6	0.409	0.156	0.807	0.059	9509	11847	0.76
AL522	0.625	2 X 2	0.504	0.200	0.435	0.080	4946	6182	0.43
AL534	0.625	3 X 4	0.504	0.200	0.669	0.080	7419	10341	0.74
AL544	0.625	4 X 4	0.504	0.200	0.764	0.080	9892	12365	0.84
AL566	0.625	6 X 6	0.504	0.200	1.083	0.080	14837	18547	1.20
AL622	0.750	2 X 2	0.614	0.234	0.512	0.095	8318	9982	0.58
AL644	0.750	4 X 4	0.614	0.234	0.894	0.095	14320	17715	1.18
AL666	0.750	6 X 6	0.614	0.234	1.268	0.095	22503	26662	1.75
AL688	0.750	8 X 8	0.614	0.234	1.661	0.095	29990	35205	2.35
AL822	1.000	2 X 2	0.807	0.312	0.630	0.128	12747	15422	1.03
AL844	1.000	4 X 4	0.807	0.312	1.157	0.128	25493	30484	2.02
AL866	1.000	6 X 6	0.807	0.312	1.740	0.128	38218	45479	3.00
AL1022	1.250	2 X 2	1.008	0.375	0.772	0.157	19896	24077	1.59
AL1044	1.250	4 X 4	1.008	0.375	1.433	0.157	39791	45771	3.14
AL1066	1.250	6 X 6	1.008	0.375	2.059	0.157	59575	70883	4.84
AL1088	1.250	8 X 8	1.008	0.375	2.697	0.157	79583	94690	6.68
AL1222	1.500	2 X 2	1.201	0.437	0.957	0.189	28551	33969	2.45
AL1244	1.500	4 X 4	1.201	0.437	1.724	0.189	55078	67376	4.74
AL1266	1.500	6 X 6	1.201	0.437	2.488	0.189	85653	95837	7.06
AL1288	1.500	8 X 8	1.201	0.437	3.252	0.189	114203	127782	9.43
AL1444	1.750	4 X 4	1.433	0.498	2.020	0.220	83787	92981	6.95
AL1466	1.750	6 X 6	1.433	0.498	2.935	0.220	125669	139472	10.19
AL1644	2.000	4 X 4	1.638	0.559	2.283	0.252	105886	117531	8.72
AL1666	2.000	6 X 6	1.638	0.559	3.299	0.252	158716	176161	13.28
AL1688	2.000	8 X 8	1.638	0.559	4.311	0.252	211771	235039	17.12

# TRITAN

PRECISION ROLLER CHAIN

YOUR LINK TO QUALITY.

## LEAF CHAIN BL SERIES CHAIN

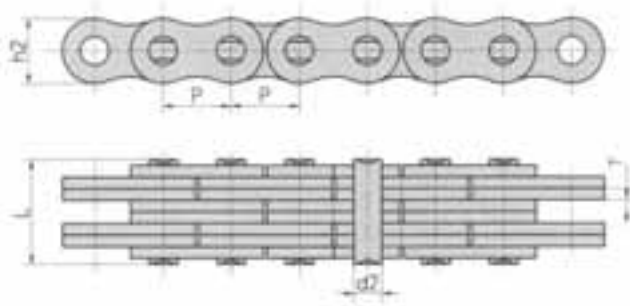
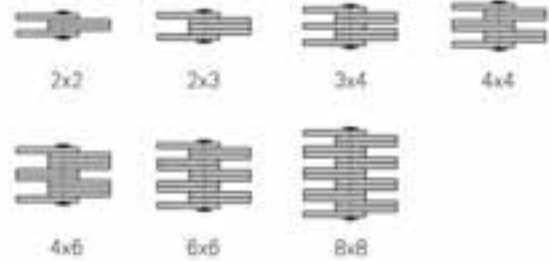


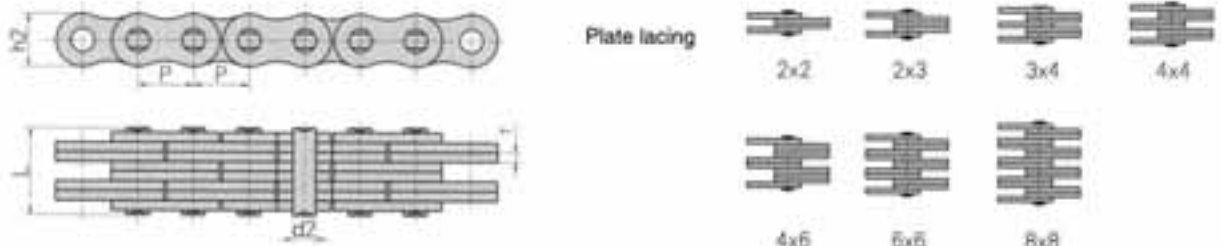
Plate lacing



ANSI CHAIN NUMBER	PITCH	PLATE LACING	PLATE DEPTH	PIN DIA	PIN LENGTH	PLATE THICK- NESS	ULTIMATE TENSILE STRENGTH	AVERAGE TENSILE STRENGTH	WEIGHT PER FOOT
	P		h2 max	d2 max	L max	T max	Q min	Qo	q
	inch		inch	inch	inch	inch	lb	lb	lb/ft
BL422	0.500	2 X 2	0.475	0.200	0.440	0.082	4991	6205	0.43
BL423	0.500	2 X 3	0.475	0.200	0.518	0.082	4991	6205	0.54
BL434	0.500	3 X 4	0.475	0.200	0.685	0.082	7509	9307	0.75
BL444	0.500	4 X 4	0.475	0.200	0.768	0.082	10004	12589	0.86
BL446	0.500	4 X 6	0.475	0.200	0.935	0.082	10004	12589	1.08
BL466	0.500	6 X 6	0.475	0.200	1.102	0.082	14995	18367	1.29
BL488	0.500	8 X 8	0.475	0.200	1.435	0.082	20008	24594	1.72
BL522	0.625	2 X 2	0.594	0.235	0.508	0.096	7509	9689	0.59
BL523	0.625	2 X 3	0.594	0.235	0.605	0.096	7509	9689	0.74
BL534	0.625	3 X 4	0.594	0.235	0.800	0.096	10993	14748	1.01
BL544	0.625	4 X 4	0.594	0.235	0.897	0.096	14995	18996	1.21
BL546	0.625	4 X 6	0.594	0.235	1.092	0.096	14995	18996	1.48
BL566	0.625	6 X 6	0.594	0.235	1.287	0.096	22503	28124	1.78
BL588	0.625	8 X 8	0.594	0.235	1.676	0.096	29990	38105	2.35
BL622	0.750	2 X 2	0.713	0.313	0.684	0.130	10993	14298	0.97
BL623	0.750	2 X 3	0.713	0.313	0.816	0.130	10993	14298	1.21
BL634	0.750	3 X 4	0.713	0.313	1.080	0.130	16996	23110	1.68
BL644	0.750	4 X 4	0.713	0.313	1.212	0.130	22009	27180	1.95
BL646	0.750	4 X 6	0.713	0.313	1.476	0.130	22009	27180	2.42
BL666	0.750	6 X 6	0.713	0.313	1.740	0.130	33002	42894	2.89
BL688	0.750	8 X 8	0.713	0.313	2.268	0.130	43995	53685	3.90
BL822	1.000	2 X 2	0.950	0.376	0.840	0.161	18996	24324	1.48
BL823	1.000	2 X 3	0.950	0.376	1.003	0.161	18996	24324	1.81
BL834	1.000	3 X 4	0.950	0.376	1.329	0.161	29000	38218	2.55
BL844	1.000	4 X 4	0.950	0.376	1.492	0.161	37993	48244	2.89
BL846	1.000	4 X 6	0.950	0.376	1.818	0.161	37993	48244	3.63
BL866	1.000	6 X 6	0.950	0.376	2.144	0.161	57012	72951	4.37
BL888	1.000	8 X 8	0.950	0.376	2.796	0.161	76008	97275	5.78



## LEAF CHAIN BL SERIES CHAIN



ANSI CHAIN NUMBER	PITCH	PLATE LACING	PLATE DEPTH	PIN DIA	PIN LENGTH	PLATE THICK- NESS	ULTIMATE TENSILE STRENGTH	AVERAGE TENSILE STRENGTH	WEIGHT PER FOOT
	P		h2 max	d2 max	L max	T max	Q min	Qo	q
	inch		inch	inch	inch	inch	lb	lb	lb/ft
BL1022	1.250	2 X 2	1.188	0.437	0.999	0.193	25988	33901	2.28
BL1023	1.250	2 X 3	1.188	0.437	1.194	0.193	25988	33901	2.89
BL1034	1.250	3 X 4	1.188	0.437	1.584	0.193	41005	52066	4.03
BL1044	1.250	4 X 4	1.188	0.437	1.779	0.193	51999	65510	4.64
BL1046	1.250	4 X 6	1.188	0.437	2.169	0.193	51999	65510	5.78
BL1066	1.250	6 X 6	1.188	0.437	2.559	0.193	78009	96736	6.92
BL1088	1.250	8 X 8	1.188	0.437	3.339	0.193	103997	124792	9.27
BL1222	1.500	2 X 2	1.425	0.500	1.166	0.227	33991	43164	3.09
BL1223	1.500	2 X 3	1.425	0.500	1.395	0.227	33991	43164	3.95
BL1234	1.500	3 X 4	1.425	0.500	1.853	0.227	54989	71017	5.44
BL1244	1.500	4 X 4	1.425	0.500	2.082	0.227	68005	85675	6.25
BL1246	1.500	4 X 6	1.425	0.500	2.540	0.227	68005	85675	7.79
BL1266	1.500	6 X 6	1.425	0.500	2.998	0.227	101996	122207	9.34
BL1288	1.500	8 X 8	1.425	0.500	3.914	0.227	136010	163212	12.50
BL1422	1.750	2 X 2	1.663	0.563	1.321	0.258	43006	50740	4.10
BL1423	1.750	2 X 3	1.663	0.563	1.581	0.258	43006	50740	5.11
BL1434	1.750	3 X 4	1.663	0.563	2.101	0.258	70995	83764	7.12
BL1444	1.750	4 X 4	1.663	0.563	2.361	0.258	86012	101434	8.20
BL1446	1.750	4 X 6	1.663	0.563	2.881	0.258	86012	101434	10.21
BL1466	1.750	6 X 6	1.663	0.563	3.401	0.258	130008	153410	12.23
BL1488	1.750	8 X 8	1.663	0.563	4.441	0.258	172002	202958	16.33
BL1622	2.000	2 X 2	1.900	0.687	1.536	0.296	64993	76683	5.38
BL1623	2.000	2 X 3	1.900	0.687	1.834	0.296	64993	76683	6.72
BL1634	2.000	3 X 4	1.900	0.687	2.430	0.296	99006	116811	9.41
BL1644	2.000	4 X 4	1.900	0.687	2.728	0.296	128996	152961	10.75
BL1646	2.000	4 X 6	1.900	0.687	3.324	0.296	130008	152961	13.44
BL1666	2.000	6 X 6	1.900	0.687	3.920	0.296	192752	224967	16.13
BL1688	2.000	8 X 8	1.900	0.687	5.112	0.296	259993	306776	21.50
BL2022	2.500	2 X 2	2.375	0.937	2.037	0.390	97500	115035	10.62
BL2023	2.500	2 X 3	2.375	0.937	2.429	0.390	97500	115035	13.31
BL2034	2.500	3 X 4	2.375	0.937	3.213	0.390	145992	172249	18.61
BL2044	2.500	4 X 4	2.375	0.937	3.605	0.390	195000	230093	21.23
BL2046	2.500	4 X 6	2.375	0.937	4.389	0.390	195000	230093	26.54
BL2066	2.500	6 X 6	2.375	0.937	5.173	0.390	292500	345128	31.85
BL2088	2.500	8 X 8	2.375	0.937	6.741	0.390	390000	460074	42.47