



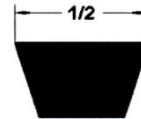
# TRITAN

PRECISION POWER TRANSMISSION COMPONENTS

## Cast Iron Sheaves

# AK

Single Groove Finished Bore Sheaves for "4L" or "A" Belts



"3L" Belts may be used with these sheaves as indicated in table below.

PART NO.	DIAMETERS			Type	DIMENSIONS				Wt. Lbs	STOCK SIZES
	Outside	Datum "A"	Pitch "3L"		F	L	P	C		Finished Bore
▲AK17	1.75"	1.50"	1.16"	1	21/32"	15/16"	7/16"	5/32"	0.2	1/2, 5/8
▲AK20	2.00	1.80	1.46	1	21/32	15/16	7/16	5/32	0.3	1/2, 5/8, 3/4
▲AK21	2.10	1.90	1.56	1	21/32	15/16	7/16	5/32	0.4	1/2, 5/8, 3/4
▲AK22	2.20	2.00	1.66	1	21/32	15/16	7/16	5/32	0.5	1/2, 5/8, 3/4
▲AK23	2.30	2.10	1.76	1	21/32	15/16	7/16	5/32	0.5	1/2, 5/8, 3/4
▲AK25	2.50	2.30	1.96	2	21/32	15/16	7/16	5/32	0.5	1/2, 5/8, 3/4
▲AK26	2.60	2.40	2.06	2	21/32	15/16	7/16	5/32	0.5	1/2, 5/8, 3/4
▲AK27	2.70	2.50	2.16	2	21/32	15/16	7/16	5/32	0.6	1/2, 5/8, 3/4
▲AK28	2.80	2.60	2.26	2	21/32	15/16	7/16	5/32	0.7	1/2, 5/8, 3/4
▲AK30	3.05	2.80	2.46	2	21/32	15/16	7/16	5/32	0.7	1/2, 5/8, 3/4, 7/8
▲AK32	3.25	3.00	2.66	2	21/32	15/16	7/16	5/32	0.7	1/2, 5/8, 3/4, 7/8
▲AK34	3.45	3.20	2.86	2	21/32	15/16	7/16	5/32	0.9	1/2, 5/8, 3/4, 7/8
AK39	3.75	3.50	3.16	2	3/4	1 5/32	15/32	1/16	1.4	1/2, 5/8, 3/4, 7/8, 15/16, 1
AK41	3.95	3.70	3.36	2	3/4	1 5/32	15/32	1/16	1.5	1/2, 5/8, 3/4, 7/8, 15/16, 1
AK44	4.25	4.00	3.66	3	3/4	1 5/32	15/32	1/16	1.5	1/2, 5/8, 3/4, 7/8, 15/16, 1, 1 1/8
AK46	4.45	4.20	3.86	3	3/4	1 5/32	15/32	1/16	1.5	1/2, 5/8, 3/4, 7/8, 15/16, 1, 1 1/8
AK49	4.75	4.50	4.16	3	3/4	1 5/32	15/32	1/16	1.7	1/2, 5/8, 3/4, 7/8, 15/16, 1, 1 1/8
AK51	4.95	4.70	4.36	3	3/4	1 5/32	15/32	1/16	1.7	1/2, 5/8, 3/4, 7/8, 1, 1 1/8
AK54	5.25	5.00	4.66	3	3/4	1 5/32	15/32	1/16	1.8	1/2, 5/8, 3/4, 7/8, 15/16, 1, 1 1/8, 1 3/16
AK56	5.45	5.20	4.86	3	3/4	1 5/32	15/32	1/16	1.9	1/2, 5/8, 3/4, 7/8, 15/16, 1, 1 1/8, 1 3/16
AK59	5.75	5.50	5.16	3	3/4	1 5/32	15/32	1/16	2.0	1/2, 5/8, 3/4, 7/8, 15/16, 1, 1 1/8, 1 3/16
AK61	5.95	5.70	5.36	3	3/4	1 5/32	15/32	1/16	2.1	1/2, 5/8, 3/4, 7/8, 15/16, 1, 1 1/8, 1 3/16
AK64	6.25	6.00	5.66	3	3/4	1 5/32	15/32	1/16	2.2	1/2, 5/8, 3/4, 7/8, 15/16, 1, 1 1/8, 1 3/16
AK66	6.45	6.20	5.86	3	3/4	1 5/32	15/32	1/16	2.3	5/8, 3/4, 1, 1 1/8
AK69	6.75	6.50	6.16	3	3/4	1 5/32	23/32	0	3.5	3/4, 1, 1 1/8
AK71	6.95	6.70	6.36	3	3/4	1 5/32	23/32	0	3.8	5/8, 3/4, 1, 1 1/8, 1 7/16
▲AK74	7.25	7.00	6.66	3	3/4	1 5/32	23/32*	0*	3.4	1/2, 5/8, 3/4, 15/16, 1, 1 1/8, 1 3/16, 1 1/4, 1 7/16
▲AK79	7.75	7.50	7.16	3	3/4	1 5/32	23/32	0	4.0	3/4, 1, 1 1/8, 1 7/16
▲AK84	8.25	8.00	7.66	3	3/4	1 5/32	23/32*	0*	3.8	1/2, 5/8, 3/4, 15/16, 1, 1 3/16, 1 7/16
▲AK89	8.75	8.50	8.16	3	3/4	1 5/32	23/32	0	4.3	3/4, 1, 1 1/8, 1 7/16
▲AK94	9.25	9.00	8.66	3	3/4	1 5/32	23/32*	0*	4.5	1/2, 5/8, 3/4, 15/16, 1, 1 3/16, 1 1/4, 1 7/16
▲AK99	9.75	9.50	9.16	3	3/4	1 5/32	23/32	0	5.3	3/4, 1, 1 7/16
▲AK104	10.25	10.00	9.66	3	3/4	1 5/32	23/32*	0*	5.1	5/8, 3/4, 1, 1 3/16, 1 1/4, 1 3/8, 1 7/16
▲AK109	10.75	10.50	10.16	3	3/4	1 5/32	23/32	0	5.8	3/4, 1, 1 3/8, 1 7/16
▲AK114	11.25	11.00	10.66	3	3/4	1 5/32	23/32*	0*	5.6	3/4, 1, 1 3/16, 1 7/16
▲AK124	12.25	12.00	11.66	3	3/4	1 5/32	23/32*	0*	6.5	5/8, 3/4, 1, 1 3/16, 1 1/4, 1 7/16
AK134	13.25	13.00	12.66	3	3/4	1 5/32	23/32	0	7.5	3/4, 1, 1 3/16, 1 3/8, 1 7/16
AK144	14.25	14.00	13.66	3	3/4	1 5/32	23/32	0	8.5	3/4, 1, 1 3/16, 1 7/16
AK154	15.25	15.00	14.66	3	3/4	1 5/32	23/32	0	9.8	7/8, 1 1/8, 1 3/16, 1 3/8, 1 7/16
AK184	18.25	18.00	17.66	3	3/4	1 5/32	23/32	0	12.1	3/4, 1, 1 3/16, 1 7/16

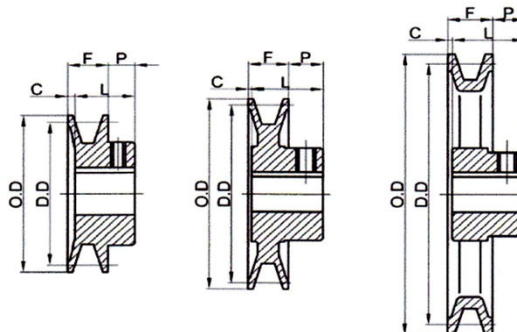
▲ NOTE: Do not use these "AK" sheaves with bores 1" and under with notched belt ratings.

\* P=25/32" and C=1/16" for 1" bore and smaller

### Standard Keyseats

Bore Range	Keyseat
1/2"	None
5/8" to 7/8"	3/16" x 3/32"
15/16" to 1 1/4"	1/4 x 1/8"
1 7/16"	3/8 x 3/16"

Tritan "AK" Sheaves are accurately machined from gray cast iron, statically balanced, painted and individually packaged. They are furnished with standard keyseats and setscrews.



TYPE 1

TYPE 2

TYPE 3



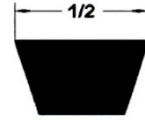
# TRITAN

PRECISION POWER TRANSMISSION COMPONENTS

## Cast Iron Sheaves

## 2AK

Two Groove Finished Bore Sheaves for "4L" or "A" Belts



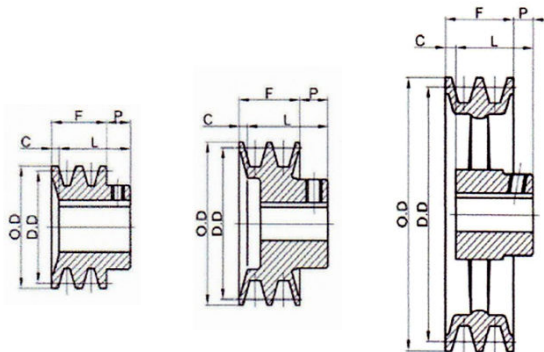
"3L" Belts may be used with these sheaves as indicated in table below.

PART NO.	DIAMETERS			Type	DIMENSIONS				Wt. Lbs	STOCK SIZES
	Outside	Datum "A"	Pitch "3L"		F	L	P	C		Finished Bore
2AK20	2.00	1.80	1.46	1	1 3/8	1 21/32	15/32	3/16	0.8	1/2, 5/8, 3/4
2AK21	2.15	1.90	1.56	1	1 3/8	1 21/32	15/32	3/16	0.9	1/2, 5/8, 3/4
2AK22	2.25	2.00	1.66	1	1 3/8	1 21/32	15/32	3/16	0.9	1/2, 5/8, 3/4, 7/8
2AK23	2.35	2.10	1.76	1	1 3/8	1 21/32	15/32	3/16	1.1	5/8, 3/4, 7/8, 1
2AK25	2.55	2.30	1.96	1	1 3/8	1 21/32	15/32	3/16	1.3	5/8, 3/4, 7/8, 1
2AK26	2.65	2.40	2.06	1	1 3/8	1 21/32	15/32	3/16	1.4	5/8, 3/4, 7/8, 1
2AK27	2.75	2.50	2.16	1	1 3/8	1 21/32	15/32	3/16	1.5	5/8, 3/4, 7/8, 1
2AK28	2.85	2.60	2.26	1	1 3/8	1 21/32	15/32	3/16	1.8	5/8, 3/4, 7/8, 1
2AK30	3.05	2.80	2.46	1	1 3/8	1 21/32	15/32	3/16	1.8	1/2, 5/8, 3/4, 7/8, 1, 1 1/8
2AK32	3.25	3.00	2.66	1	1 3/8	1 21/32	15/32	3/16	2.1	5/8, 3/4, 7/8, 1, 1 1/8
2AK34	3.45	3.20	2.86	1	1 3/8	1 21/32	15/32	3/16	2.3	5/8, 3/4, 7/8, 1, 1 1/8
2AK39	3.75	3.50	3.16	2	1 3/8	1 11/32	15/32	1/2	2.6	5/8, 3/4, 7/8, 1, 1 1/8
2AK41	3.95	3.70	3.36	2	1 3/8	1 11/32	15/32	1/2	2.9	5/8, 3/4, 7/8, 1, 1 1/8
2AK44	4.25	4.00	3.66	2	1 3/8	1 11/32	15/32	1/2	3.0	5/8, 3/4, 7/8, 1, 1 1/8
2AK46	4.45	4.20	3.86	2	1 3/8	1 11/32	15/32	1/2	3.1	7/8, 1, 1 1/8
2AK49	4.75	4.50	4.16	2	1 3/8	1 11/32	15/32	1/2	3.6	3/4, 7/8, 1, 1 1/8, 1 3/8
2AK51	4.95	4.70	4.36	2	1 3/8	1 11/32	15/32	1/2	3.8	3/4, 7/8, 1, 1 1/8, 1 3/8
2AK54	5.25	5.00	4.66	3	1 3/8	1 11/32	15/32	1/2	3.3	5/8, 3/4, 7/8, 1, 1 1/8, 1 3/8
2AK56	5.45	5.20	4.86	3	1 3/8	1 11/32	15/32	1/2	3.4	5/8, 3/4, 1, 1 1/8, 1 3/8
2AK59	5.75	5.50	5.16	3	1 3/8	1 11/32	15/32	1/2	3.5	1, 1 1/8, 1 3/8
2AK61	5.95	5.70	5.36	3	1 3/8	1 11/32	15/32	1/2	3.6	3/4, 7/8, 1, 1 1/8, 1 3/8
2AK64	6.25	6.00	5.66	3	1 3/8	1 19/32	11/32	1/8	4.8	3/4, 1, 1 1/8, 1 3/16, 1 3/8, 1 7/16
2AK74	7.25	7.00	6.66	3	1 3/8	1 19/32	11/32	1/8	5.6	3/4, 1, 1 1/8, 1 3/16, 1 3/8, 1 7/16
2AK84	8.25	8.00	7.66	3	1 3/8	1 19/32	11/32	1/8	6.4	3/4, 15/16, 1, 1 1/8, 1 3/16, 1 3/8, 1 7/16
2AK94	9.25	9.00	8.66	3	1 3/8	1 19/32	11/32	1/8	7.3	3/4, 1, 1 1/8, 1 3/16, 1 3/8, 1 7/16
2AK104	10.25	10.00	9.66	3	1 3/8	1 19/32	11/32	1/8	8.1	3/4, 15/16, 1, 1 7/16
2AK114	11.25	11.00	10.66	3	1 3/8	1 19/32	11/32	1/8	9.0	3/4, 1, 1 3/16, 1 3/8, 1 7/16
2AK124	12.25	12.00	11.66	3	1 3/8	1 19/32	11/32	1/8	9.8	3/4, 1, 1 3/16, 1 7/16
2AK134	13.25	13.00	12.66	3	1 3/8	1 19/32	11/32	1/8	12.3	1 3/16, 1 7/16
2AK144	14.25	14.00	13.66	3	1 3/8	1 19/32	11/32	1/8	13.9	1, 1 7/16
2AK154	15.25	15.00	14.66	3	1 3/8	1 19/32	11/32	1/8	14.3	1 3/16, 1 7/16
2AK184	18.25	18.00	17.66	3	1 3/8	1 19/32	11/32	1/8	17.4	1 3/16, 1 7/16

### Standard Keyseats

Bore Range	Keyseat
1/2"	None
5/8" to 7/8"	3/16" x 3/32"
15/16" to 1 1/4	1/4 x 1/8"
1 7/16	3/8 x 3/16

Tritan "2AK" Sheaves are accurately machined from gray cast iron, statically balanced, painted and individually packaged. They are furnished with standard keyseats and setscrews.



TYPE 1

TYPE 2

TYPE 3



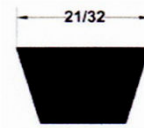
# TRITAN

PRECISION POWER TRANSMISSION COMPONENTS

## Cast Iron Sheaves

# BK

Single Groove Finished Bore Sheaves for "4L" or "A" Belts and "5L" or "B" Belts



PART NO.	DIAMETERS			Type	DIMENSIONS				Wt. Lbs	STOCK SIZES
	Outside	Datum "A"	Datum "B"		F	L	P	C		Finished Bore
▲ BK24	2.40"	1.80"	2.20"	1	13/16"	1 1/16"	13/32"	5/32"	0.4	1/2, 5/8, 3/4
▲ BK25	2.50	1.90	2.30	1	13/16	1 1/16	13/32	5/32	0.5	1/2, 5/8, 3/4, 7/8
▲ BK26	2.60	2.00	2.40	1	13/16	1 1/16	13/32	5/32	0.6	1/2, 5/8, 3/4, 7/8
▲ BK27	2.70	2.10	2.50	2	13/16	1 1/16	13/32	5/32	0.6	1/2, 5/8, 3/4, 7/8
▲ BK28	2.95	2.20	2.60	2	13/16	1 1/16	13/32	5/32	0.8	1/2, 5/8, 3/4, 7/8
▲ BK30	3.15	2.40	2.80	2	13/16	1 1/16	13/32	5/32	0.8	1/2, 5/8, 3/4, 7/8
▲ BK32	3.35	2.60	3.00	2	13/16	1 1/16	13/32	5/32	0.8	1/2, 5/8, 3/4, 7/8
BK34	3.55	2.80	3.20	2	7/8	1 5/32	13/32	1/8	1.3	1/2, 5/8, 3/4, 7/8, 1, 1 1/8
BK36	3.75	3.00	3.40	2	7/8	1 5/32	13/32	1/8	1.5	1/2, 5/8, 3/4, 7/8, 1, 1 1/8
BK40	3.95	3.20	3.60	2	7/8	1 5/32	13/32	1/8	1.5	1/2, 5/8, 3/4, 7/8, 1, 1 1/8
BK45	4.25	3.50	3.90	2	7/8	1 5/32	13/32	1/8	1.8	1/2, 5/8, 3/4, 7/8, 1, 1 1/8
BK47	4.45	3.70	4.10	2	7/8	1 5/32	13/32	1/8	1.9	1/2, 5/8, 3/4, 7/8, 1, 1 1/8
BK50	4.75	4.00	4.40	3	7/8	1 5/32	13/32	1/8	2.0	1/2, 5/8, 3/4, 7/8, 15/16, 1, 1 1/8
BK52	4.95	4.20	4.60	3	7/8	1 5/32	13/32	1/8	2.0	1/2, 5/8, 3/4, 7/8, 1, 1 1/8
BK55	5.25	4.50	4.90	3	7/8	1 5/32	13/32	1/8	2.2	1/2, 5/8, 3/4, 7/8, 1, 1 1/8, 1 3/16
BK57	5.45	4.70	5.10	3	7/8	1 5/32	13/32	1/8	2.3	5/8, 3/4, 7/8, 15/16, 1, 1 1/8
BK60	5.75	5.00	5.40	3	7/8	1 5/32	13/32	1/8	2.3	1/2, 5/8, 3/4, 7/8, 1, 1 1/8, 1 3/16
BK62	5.95	5.20	5.60	3	7/8	1 5/32	13/32	1/8	2.4	1/2, 5/8, 3/4, 7/8, 15/16, 1, 1 1/8, 1 3/16
BK65	6.25	5.50	5.90	3	7/8	1 5/32	13/32	1/8	2.7	5/8, 3/4, 1, 1 1/8
BK67	6.45	5.70	6.10	3	7/8	1 5/32	13/32	1/8	3.7	5/8, 3/4, 1, 1 1/8
BK70	6.75	6.00	6.40	3	7/8	1 5/32	21/32 *	1/16 *	3.3	5/8, 3/4, 15/16, 1, 1 1/8, 1 3/16, 1 7/16
BK72	6.95	6.20	6.60	3	7/8	1 5/32	21/32	1/16	3.9	3/4, 1, 1 1/8, 1 3/8
BK75	7.25	6.50	6.90	3	7/8	1 5/32	21/32	1/16	3.9	3/4, 1, 1 1/8, 1 3/8
BK77	7.45	6.70	7.10	3	7/8	1 5/32	21/32	1/16	4.1	3/4, 1, 1 1/8, 1 3/8
BK80	7.75	7.00	7.40	3	7/8	1 5/32	21/32	1/16	4.4	5/8, 3/4, 7/8, 1, 1 1/8, 1 3/16, 1 1/4, 1 3/8, 1 7/16
BK85	8.25	7.50	7.90	3	7/8	1 5/32	21/32	1/16	5.0	3/4, 1, 1 1/8, 1 3/8, 1 7/16
BK90	8.75	8.00	8.40	3	7/8	1 5/32	21/32	1/16	5.0	3/4, 7/8, 15/16, 1, 1 1/8, 1 3/16, 1 3/8, 1 7/16
BK95	9.25	8.50	8.90	3	7/8	1 5/32	21/32	1/16	5.4	3/4, 1, 1 1/8, 1 3/8, 1 7/16
BK100	9.75	9.00	9.40	3	7/8	1 5/32	21/32	1/16	5.6	3/4, 7/8, 15/16, 1, 1 1/8, 1 3/16, 1 1/4, 1 3/8, 1 7/16
BK105	10.25	9.50	9.90	3	7/8	1 5/32	21/32	1/16	5.8	1, 1 3/8, 1 7/16
BK110	10.75	10.00	10.40	3	7/8	1 5/32	21/32	1/16	6.4	3/4, 1, 1 1/8, 1 3/16, 1 3/8, 1 7/16
BK115	11.25	10.50	10.90	3	7/8	1 5/32	21/32	1/16	6.9	1, 1 3/8, 1 7/16
BK120	11.75	11.00	11.40	3	7/8	1 5/32	21/32	1/16	7.4	3/4, 1, 1 3/16, 1 3/8, 1 7/16
BK130	12.75	12.00	12.40	3	7/8	1 5/32	21/32	1/16	8.4	3/4, 1, 1 1/8, 1 3/16, 1 1/4, 1 7/16
BK140	13.75	13.00	13.40	3	7/8	1 5/32	21/32	1/16	9.4	3/4, 1, 1 3/16, 1 7/16
BK160	15.75	15.00	15.40	3	7/8	1 5/32	21/32	1/16	11.4	1, 1 1/8, 1 3/16, 1 1/4, 1 7/16
BK190	18.75	18.00	18.40	3	7/8	1 5/32	21/32	1/16	13.4	1, 1 3/16, 1 1/4, 1 7/16

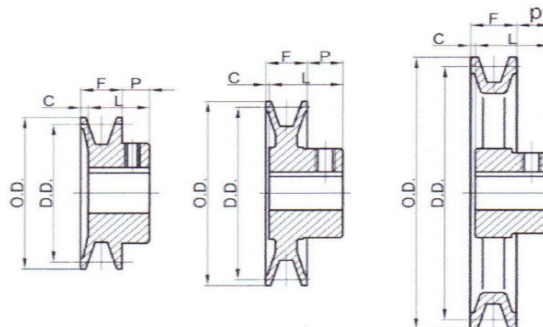
▲ NOTE: Do not use these "BK" sheaves with "B" notched belt ratings.

\* P=13/32" and C=1/8" for 1" bore and smaller

### Standard Keyseats

Bore Range	Keyseat
1/2"	None
5/8" to 7/8"	3/16" x 3/32"
15/16" to 1 1/4	1/4 x 1/8"
1 7/16	3/8 x 3/16

Tritan "BK" Sheaves are accurately machined from gray cast iron, statically balanced, painted and individually packaged. They are furnished with standard keyseats and setscrews.



TYPE 1

TYPE 2

TYPE 3



# TRITAN

PRECISION POWER TRANSMISSION COMPONENTS

## Cast Iron Sheaves

## 2BK

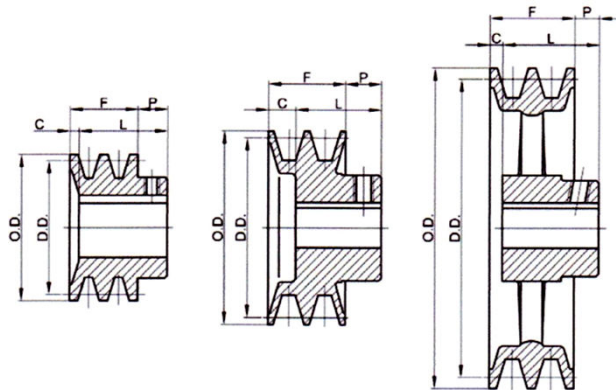
Two Groove Finished Bore Sheaves for "4L" or "A" Belts and "5L" or "B" Belts



PART NO.	DIAMETERS			Type	DIMENSIONS				Wt. Lbs	STOCK SIZES
	Outside	Datum "A"	Datum "B"		F	L	P	C		Finished Bore
2BK25	2.5"	1.9"	2.3"	1	1 3/4"	1 31/32"	15/32"	15/32"	1.3	1/2, 5/8, 3/4, 7/8
2BK27	2.70	2.10	2.50	1	1 3/4	1 31/32	15/32	15/32	1.6	1/2, 5/8, 3/4, 7/8, 1
2BK28	2.95	2.20	2.60	1	1 3/4	1 31/32	15/32	15/32	1.9	1/2, 5/8, 3/4, 7/8, 1, 1 1/8
2BK30	3.15	2.40	2.80	1	1 3/4	1 31/32	15/32	15/32	2.3	1/2, 5/8, 3/4, 7/8, 1, 1 1/8
2BK32	3.35	2.60	3.00	1	1 3/4	1 31/32	15/32	15/32	2.6	5/8, 7/8, 1, 1 1/8
2BK34	3.55	2.80	3.20	1	1 3/4	1 31/32	15/32	15/32	2.8	5/8, 3/4, 7/8, 1, 1 1/8
2BK36	3.75	3.00	3.40	1	1 3/4	1 31/32	15/32	15/32	3.3	3/4, 7/8, 1, 1 1/8, 1 3/8
2BK40	3.95	3.20	3.60	2	1 3/4	1 15/32	15/32	15/32	3.3	5/8, 3/4, 7/8, 1, 1 1/8
2BK47	4.25	3.70	4.10	2	1 3/4	1 15/32	15/32	15/32	3.7	7/8, 1, 1 1/8
2BK50	4.75	4.00	4.40	2	1 3/4	1 15/32	15/32	15/32	4.1	3/4, 1, 1 1/8, 1 3/8
2BK52	4.95	4.20	4.60	2	1 3/4	1 15/32	15/32	15/32	4.5	7/8, 1, 1 1/8, 1 3/8
2BK55	5.25	4.50	4.90	2	1 3/4	1 15/32	15/32	15/32	4.5	1 1/8, 1 3/8
2BK57	5.45	4.70	5.10	2	1 3/4	1 15/32	15/32	15/32	5.1	1, 1 1/8, 1 3/8
2BK60	5.75	5.00	5.40	3	1 3/4	1 15/32	15/32	15/32	4.9	3/4, 7/8, 1, 1 1/8, 1 3/8
2BK62	5.95	5.20	5.60	3	1 3/4	1 15/32	15/32	15/32	4.8	1, 1 1/8, 1 3/8
2BK67	6.45	5.70	6.10	3	1 3/4	1 15/32	15/32	15/32	5.0	1, 1 1/8, 1 3/8
2BK70	6.75	6.00	6.40	3	1 3/4	1 19/32	11/32	11/32	6.6	3/4, 1, 1 1/8, 1 3/16, 1 3/8, 1 7/16
2BK80	7.75	7.00	7.40	3	1 3/4	1 19/32	11/32	11/32	7.2	3/4, 1, 1 1/8, 1 3/16, 1 3/8, 1 7/16
2BK90	8.75	8.00	8.40	3	1 3/4	1 19/32	11/32	11/32	8.4	3/4, 1, 1 1/8, 1 3/16, 1 3/8, 1 7/16
2BK100	9.75	9.00	9.40	3	1 3/4	1 19/32	11/32	11/32	9.4	3/4, 1, 1 3/16, 1 3/8, 1 7/16
2BK110	10.75	10.00	10.40	3	1 3/4	1 19/32	11/32	11/32	10.4	1, 1 3/16, 1 7/16
2BK120	11.75	11.00	11.40	3	1 3/4	1 19/32	11/32	11/32	11.8	1, 1 3/16, 1 7/16
2BK140	13.75	13.00	13.40	3	1 3/4	1 19/32	11/32	11/32	16.3	1, 1 3/16, 1 7/16
2BK190	18.75	18.00	18.40	3	1 3/4	1 19/32	11/32	11/32	23.3	1 3/16, 1 7/16

### Standard Keyseats

Bore Range	Keyseat
1/2"	None
5/8" to 7/8"	3/16" x 3/32"
15/16" to 1 1/4	1/4 x 1/8"
1 3/8	5/16 x 5/32
1 7/16	3/8 x 3/16



Tritan "2BK" Sheaves are accurately machined from gray cast iron, statically balanced, painted and individually packaged. They are furnished with standard keyseats and setscrews.

TYPE 1

TYPE 2

TYPE 3



# TRITAN

PRECISION POWER TRANSMISSION COMPONENTS

## Cast Iron Sheaves

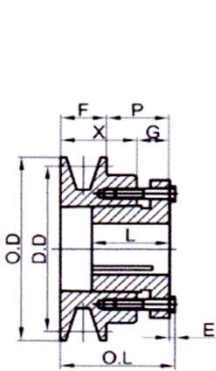
## AK..H

Single Groove Taper Bushed Sheaves for "4L" or "A" Belts

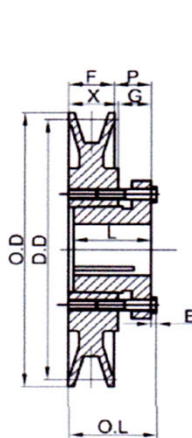


"3L" Belts may be used with these sheaves as indicated in table below

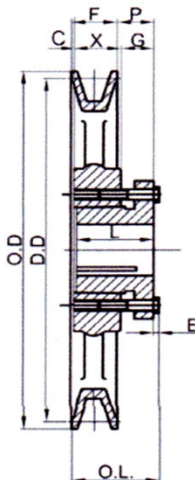
PART NO.	DIAMETERS			Type	DIMENSIONS								Wt. less Bush.
	O.D.	Datum "A"	Pitch "3L"		O.L.	F	L	P	C	X	G	E	
AK30H	3.05	2.80	2.46	1	1 13/16"	3/4"	1 1/4"	7/8"	-	1 3/16"	7/16"	3/16"	1.10
AK32H	3.3	3.00	2.66	1	1 13/16	3/4	1 1/4	7/8	-	1 3/16	7/16	3/16	1.20
AK34H	3.45	3.20	2.86	2	1 1/2	3/4	1 1/4	9/16	-	7/8	7/16	3/16	1.00
AK39H	3.75	3.50	3.16	2	1 1/2	3/4	1 1/4	9/16	-	7/8	7/16	3/16	1.40
AK41H	3.95	3.70	3.36	2	1 1/2	3/4	1 1/4	9/16	-	7/8	7/16	3/16	1.60
AK44H	4.25	4.00	3.66	2	1 1/2	3/4	1 1/4	9/16	-	7/8	7/16	3/16	1.90
AK46H	4.45	4.20	3.86	2	1 1/2	3/4	1 1/4	9/16	-	7/8	7/16	3/16	1.90
AK49H	4.75	4.50	4.16	2	1 1/2	3/4	1 1/4	9/16	-	7/8	7/16	3/16	2.10
AK51H	4.95	4.70	4.36	2	1 1/2	3/4	1 1/4	9/16	-	7/8	7/16	3/16	2.30
AK54H	5.25	5.00	4.66	2	1 1/2	3/4	1 1/4	9/16	-	7/8	7/16	3/16	2.00
AK56H	5.45	5.20	4.86	2	1 1/2	3/4	1 1/4	9/16	-	7/8	7/16	3/16	2.30
AK59H	5.75	5.50	5.16	2	1 1/2	3/4	1 1/4	9/16	-	7/8	7/16	3/16	2.40
AK61H	5.95	5.70	5.36	3	1 1/2	3/4	1 1/4	9/16	0	7/8	7/16	3/16	2.50
AK64H	6.25	6.00	5.66	3	1 1/2	3/4	1 1/4	9/16	0	7/8	7/16	3/16	2.70
AK66H	6.45	6.20	5.86	3	1 1/2	3/4	1 1/4	9/16	0	7/8	7/16	3/16	2.80
AK69H	6.75	6.50	6.16	3	1 1/2	3/4	1 1/4	9/16	0	7/8	7/16	3/16	3.20
AK71H	6.95	6.70	6.36	3	1 1/2	3/4	1 1/4	9/16	0	7/8	7/16	3/16	3.10
AK74H	7.25	7.00	6.66	3	1 1/2	3/4	1 1/4	9/16	0	7/8	7/16	3/16	3.30
AK79H	7.75	7.50	7.16	3	1 1/2	3/4	1 1/4	9/16	0	7/8	7/16	3/16	3.50
AK84H	8.25	8.00	7.66	3	1 1/2	3/4	1 1/4	9/16	0	7/8	7/16	3/16	3.60
AK89H	8.75	8.50	8.16	3	1 1/2	3/4	1 1/4	9/16	0	7/8	7/16	3/16	4.00
AK94H	9.25	9.00	8.66	3	1 1/2	3/4	1 1/4	9/16	0	7/8	7/16	3/16	4.40
AK99H	9.75	9.50	9.16	3	1 1/2	3/4	1 1/4	9/16	0	7/8	7/16	3/16	4.70
AK104H	10.25	10.00	9.66	3	1 1/2	3/4	1 1/4	9/16	0	7/8	7/16	3/16	4.50
AK109H	10.75	10.50	10.16	3	1 1/2	3/4	1 1/4	9/16	0	7/8	7/16	3/16	5.10
AK114H	11.25	11.00	10.66	3	1 1/2	3/4	1 1/4	9/16	0	7/8	7/16	3/16	5.50
AK124H	12.25	12.00	11.66	3	1 1/2	3/4	1 1/4	9/16	0	7/8	7/16	3/16	6.10
AK134H	13.25	13.00	12.66	3	1 1/2	3/4	1 1/4	9/16	0	7/8	7/16	3/16	7.40
AK144H	14.25	14.00	13.66	3	1 1/2	3/4	1 1/4	9/16	0	7/8	7/16	3/16	7.80
AK154H	15.25	15.00	14.66	3	1 1/2	3/4	1 1/4	9/16	0	7/8	7/16	3/16	8.80
AK184H	18.25	18.00	17.66	3	1 1/2	3/4	1 1/4	9/16	0	7/8	7/16	3/16	11.30



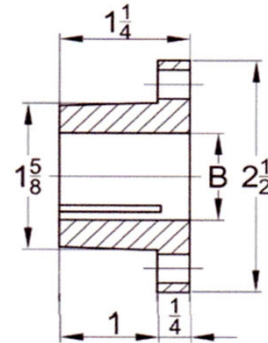
TYPE 1



TYPE 2



TYPE 3





# TRITAN

PRECISION POWER TRANSMISSION COMPONENTS

## Cast Iron Sheaves

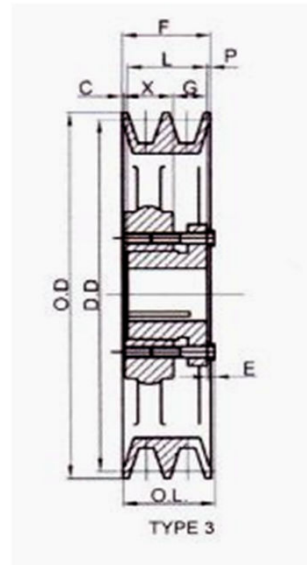
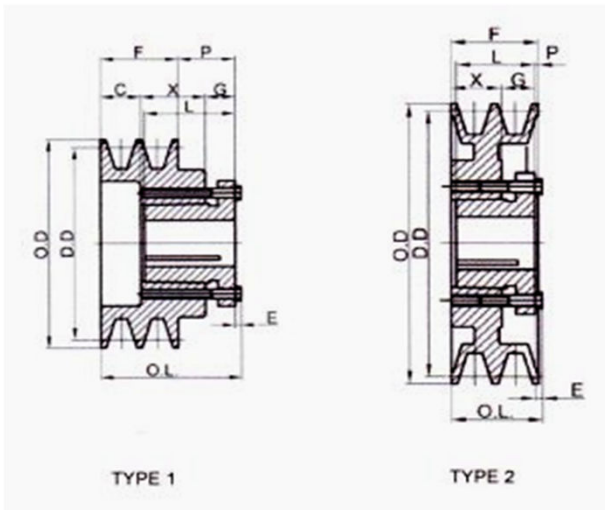
## 2AK..H

Single Groove Taper Bushed Sheaves for "4L" or "A" Belts



"3L" Belts may be used with these sheaves as indicated in table below

PART NO.	DIAMETERS			Type	DIMENSIONS								Wt. less Bush.
	O.D.	Datum "A"	Pitch "3L"		O.L.	F	L	P	C	X	G	E	
2AK30H	3.05"	2.80"	2.46"	1	2 7/16"	1 3/8	1 1/4"	7/8"	15/16"	7/8"	7/16"	3/16"	1.40
2AK32H	3.25	3.00	2.66	1	2 7/16	1 3/8	1 1/4	7/8	15/16	7/8	7/16	3/16	1.70
2AK34H	3.45	3.20	2.86	1	2	1 3/8	1 1/4	7/16	1/2	7/8	7/16	3/16	1.80
2AK39H	3.75	3.50	3.16	1	2	1 3/8	1 1/4	7/16	1/2	7/8	7/16	3/16	1.80
2AK41H	3.95	3.70	3.36	2	1 1/2	1 3/8	1 1/4	1/16	-	7/8	7/16	3/16	1.90
2AK44H	4.25	4.00	3.66	2	1 1/2	1 3/8	1 1/4	1/16	-	7/8	7/16	3/16	2.40
2AK46H	4.45	4.20	3.86	2	1 1/2	1 3/8	1 1/4	1/16	-	7/8	7/16	3/16	2.50
2AK49H	4.75	4.50	4.16	2	1 1/2	1 3/8	1 1/4	1/16	-	7/8	7/16	3/16	3.10
2AK51H	4.95	4.70	4.36	2	1 1/2	1 3/8	1 1/4	1/16	-	7/8	7/16	3/16	3.20
2AK54H	5.25	5.00	4.66	2	1 1/2	1 3/8	1 1/4	1/16	-	7/8	7/16	3/16	3.40
2AK56H	5.45	5.20	4.86	2	1 1/2	1 3/8	1 1/4	1/16	-	7/8	7/16	3/16	3.60
2AK59H	5.75	5.50	5.16	3	1 1/2	1 3/8	1 1/4	1/16	0	7/8	7/16	3/16	3.40
2AK61H	5.95	5.70	5.36	3	1 1/2	1 3/8	1 1/4	1/16	0	7/8	7/16	3/16	3.30
2AK64H	6.25	6.00	5.66	3	1 1/2	1 3/8	1 1/4	1/16	0	7/8	7/16	3/16	3.90
2AK74H	7.25	7.00	6.66	3	1 1/2	1 3/8	1 1/4	1/16	0	7/8	7/16	3/16	4.90
2AK84H	8.25	8.00	7.66	3	1 1/2	1 3/8	1 1/4	1/16	0	7/8	7/16	3/16	5.80
2AK94H	9.25	9.00	8.66	3	1 1/2	1 3/8	1 1/4	1/16	0	7/8	7/16	3/16	6.10
2AK104H	10.25	10.00	9.66	3	1 1/2	1 3/8	1 1/4	1/16	0	7/8	7/16	3/16	7.70
2AK114H	11.25	11.00	10.66	3	1 1/2	1 3/8	1 1/4	1/16	0	7/8	7/16	3/16	8.50
2AK124H	12.25	12.00	11.66	3	1 1/2	1 3/8	1 1/4	1/16	0	7/8	7/16	3/16	9.50
2AK134H	13.25	13.00	12.66	3	1 1/2	1 3/8	1 1/4	1/16	0	7/8	7/16	3/16	11.40
2AK144H	14.25	14.00	13.66	3	1 1/2	1 3/8	1 1/4	1/16	0	7/8	7/16	3/16	11.90
2AK154H	15.25	15.00	14.66	3	1 1/2	1 3/8	1 1/4	1/16	0	7/8	7/16	3/16	13.30
2AK184H	18.25	18.00	17.66	3	1 1/2	1 3/8	1 1/4	1/16	0	7/8	7/16	3/16	16.80







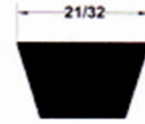
# TRITAN

PRECISION POWER TRANSMISSION COMPONENTS

## Cast Iron Sheaves

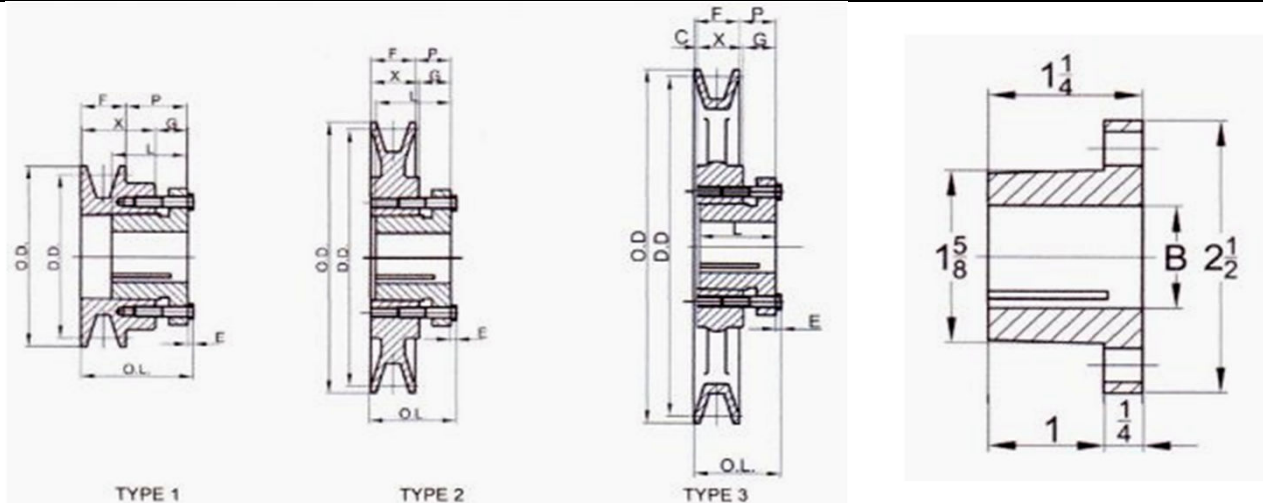
## BK..H

Single Groove Taper Bushed Sheaves for "4L" or "A" Belts



"3L" Belts may be used with these sheaves as indicated in table below

PART NO.	DIAMETERS			Type	DIMENSIONS								Wt. less Bush.
	O.D.	Datum "A"	Pitch "3L"		O.L.	F	L	P	C	X	G	E	
BK30H	3.15	2.40	2.80	1	1 15/16"	7/8"	1 1/4"	7/8"	-	1 5/16"	7/16"	3/16"	1.20
BK32H	3.35	2.60	3.00	1	1 15/16"	7/8	1 1/4	7/8	-	1 5/16	7/16	3/16	1.40
BK34H	3.55	2.80	3.20	1	1 15/16"	7/8	1 1/4	7/16	-	1 5/16	7/16	3/16	1.60
BK36H	3.75	3.00	3.40	2	1 1/2	7/8	1 1/4	7/16	-	7/8"	7/16	3/16	1.20
BK40H	3.95	3.20	3.60	2	1 1/2	7/8	1 1/4	7/16	-	7/8	7/16	3/16	1.40
BK45H	4.25	3.50	3.90	2	1 1/2	7/8	1 1/4	7/16	-	7/8	7/16	3/16	1.80
BK47H	4.45	3.70	4.10	2	1 1/2	7/8	1 1/4	7/16	-	7/8	7/16	3/16	2.20
BK50H	4.75	4.00	4.40	2	1 1/2	7/8	1 1/4	7/16	-	7/8	7/16	3/16	2.00
BK52H	4.95	4.20	4.60	2	1 1/2	7/8	1 1/4	7/16	-	7/8	7/16	3/16	2.10
BK55H	5.25	4.50	4.90	2	1 1/2	7/8	1 1/4	7/16	-	7/8	7/16	3/16	2.70
BK57H	5.45	4.70	5.10	2	1 1/2	7/8	1 1/4	7/16	-	7/8	7/16	3/16	2.70
BK60H	5.75	5.00	5.40	2	1 1/2	7/8	1 1/4	7/16	-	7/8	7/16	3/16	2.50
BK62H	5.95	5.20	5.60	2	1 1/2	7/8	1 1/4	7/16	-	7/8	7/16	3/16	2.60
BK65H	6.25	5.50	5.90	2	1 1/2	7/8	1 1/4	7/16	-	7/8	7/16	3/16	2.80
BK67H	6.45	5.70	6.10	2	1 1/2	7/8	1 1/4	7/16	-	7/8	7/16	3/16	2.90
BK70H	6.75	6.00	6.40	3	1 9/16	7/8	1 1/4	1/2	1/16"	7/8	7/16	3/16	2.80
BK72H	6.95	6.20	6.60	3	1 9/16	7/8	1 1/4	1/2	1/16"	7/8	7/16	3/16	3.10
BK75H	7.25	6.50	6.90	3	1 9/16	7/8	1 1/4	1/2	1/16"	7/8	7/16	3/16	3.30
BK77H	7.45	6.70	7.10	3	1 9/16	7/8	1 1/4	1/2	1/16"	7/8	7/16	3/16	3.80
BK80H	7.75	7.00	7.40	3	1 9/16	7/8	1 1/4	1/2	1/16"	7/8	7/16	3/16	3.40
BK85H	8.25	7.50	7.90	3	1 9/16	7/8	1 1/4	1/2	1/16"	7/8	7/16	3/16	3.80
BK90H	8.75	8.00	8.40	3	1 9/16	7/8	1 1/4	1/2	1/16"	7/8	7/16	3/16	4.30
BK95H	9.25	8.50	8.90	3	1 9/16	7/8	1 1/4	1/2	1/16"	7/8	7/16	3/16	5.00
BK100H	9.75	9.00	9.40	3	1 9/16	7/8	1 1/4	1/2	1/16"	7/8	7/16	3/16	5.20
BK105H	10.25	9.50	9.90	3	1 9/16	7/8	1 1/4	1/2	1/16"	7/8	7/16	3/16	5.50
BK110H	10.75	10.00	10.40	3	1 9/16	7/8	1 1/4	1/2	1/16"	7/8	7/16	3/16	6.00
BK115H	11.25	10.50	10.90	3	1 9/16	7/8	1 1/4	1/2	1/16"	7/8	7/16	3/16	6.40
BK120H	11.75	11.00	11.40	3	1 9/16	7/8	1 1/4	1/2	1/16"	7/8	7/16	3/16	6.90
BK130H	12.75	12.00	12.40	3	1 9/16	7/8	1 1/4	1/2	1/16"	7/8	7/16	3/16	6.90
BK140H	13.75	13.00	13.40	3	1 9/16	7/8	1 1/4	1/2	1/16"	7/8	7/16	3/16	8.50
BK160H	15.75	15.00	15.40	3	1 9/16	7/8	1 1/4	1/2	1/16"	7/8	7/16	3/16	9.80
BK190H	18.75	18.00	18.40	3	1 9/16	7/8	1 1/4	1/2	1/16"	7/8	7/16	3/16	12.80



TYPE 1

TYPE 2

TYPE 3



# TRITAN

PRECISION POWER TRANSMISSION COMPONENTS

## Cast Iron Sheaves

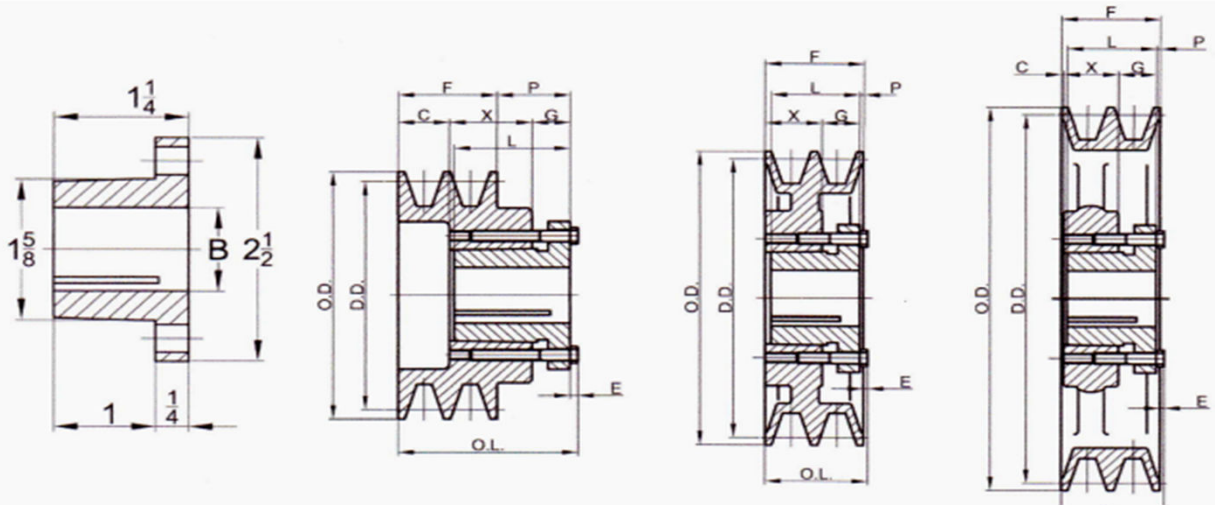
## 2BK..H

Single Groove Taper Bushed Sheaves for "4L" or "A" Belts



"3L" Belts may be used with these sheaves as indicated in table below

PART NO.	DIAMETERS			Type	DIMENSIONS								Wt. less Bush.
	O.D.	Datum "A"	Pitch "3L"		O.L.	F	L	P	C	X	G	E	
2BK32H	3.35"	2.6"	3"	1	2 13/16"	1 3/4"	1 1/4"	7/8"	1 5/16"	7/8"	7/16"	3/16"	2.10
2BK34H	3.55	2.80	3.20	1	2 13/16	1 3/4	1 1/4	7/8	1 5/16	7/8	7/16	3/16	2.40
2BK36H	3.75	3.00	3.40	1	2 3/8	1 3/4	1 1/4	7/16	7/8	7/8	7/16	3/16	2.00
2BK40H	3.95	3.20	3.60	1	2 3/8	1 3/4	1 1/4	7/16	7/8	7/8	7/16	3/16	2.40
2BK45H	4.25	3.50	3.90	1	2 3/8	1 3/4	1 1/4	7/16	7/8	7/8	7/16	3/16	3.00
2BK47H	4.45	3.70	4.10	2	1 3/4	1 3/4	1 1/4	7/16	-	7/8	7/16	3/16	2.80
2BK50H	4.75	4.00	4.40	2	1 3/4	1 3/4	1 1/4	7/16	-	7/8	7/16	3/16	3.30
2BK52H	4.95	4.20	4.60	2	1 3/4	1 3/4	1 1/4	7/16	-	7/8	7/16	3/16	3.60
2BK55H	5.25	4.50	4.90	2	1 3/4	1 3/4	1 1/4	7/16	-	7/8	7/16	3/16	3.90
2BK57H	5.45	4.70	5.10	2	1 3/4	1 3/4	1 1/4	7/16	-	7/8	7/16	3/16	4.30
2BK60H	5.75	5.00	5.40	2	1 3/4	1 3/4	1 1/4	7/16	-	7/8	7/16	3/16	4.40
2BK62H	5.95	5.20	5.60	2	1 3/4	1 3/4	1 1/4	7/16	-	7/8	7/16	3/16	4.50
2BK65H	6.25	5.50	5.90	3	1 3/4	1 3/4	1 1/4	7/16	1/4	7/8	7/16	3/16	4.50
2BK67H	6.45	5.70	6.10	3	1 3/4	1 3/4	1 1/4	7/16	1/4	7/8	7/16	3/16	5.00
2BK70H	6.75	6.00	6.40	3	1 3/4	1 3/4	1 1/4	7/16	1/4	7/8	7/16	3/16	5.10
2BK80H	7.75	7.00	7.40	3	1 3/4	1 3/4	1 1/4	7/16	1/4	7/8	7/16	3/16	6.40
2BK90H	8.75	8.00	8.40	3	1 3/4	1 3/4	1 1/4	7/16	1/4	7/8	7/16	3/16	7.60
2BK100H	9.75	9.00	9.40	3	1 3/4	1 3/4	1 1/4	7/16	1/4	7/8	7/16	3/16	8.40
2BK110H	10.75	10.00	10.40	3	1 3/4	1 3/4	1 1/4	7/16	1/4	7/8	7/16	3/16	9.30
2BK120H	11.75	11.00	11.40	3	1 3/4	1 3/4	1 1/4	7/16	1/4	7/8	7/16	3/16	11.00
2BK130H	12.75	12.00	12.40	3	1 3/4	1 3/4	1 1/4	7/16	1/4	7/8	7/16	3/16	13.10
2BK140H	13.75	13.00	13.40	3	1 3/4	1 3/4	1 1/4	7/16	1/4	7/8	7/16	3/16	14.80
2BK160H	15.75	15.00	15.40	3	1 3/4	1 3/4	1 1/4	7/16	1/4	7/8	7/16	3/16	17.50
2BK190H	18.75	18.00	18.40	3	1 3/4	1 3/4	1 1/4	7/16	1/4	7/8	7/16	3/16	21.50







# TRITAN

PRECISION POWER TRANSMISSION COMPONENTS

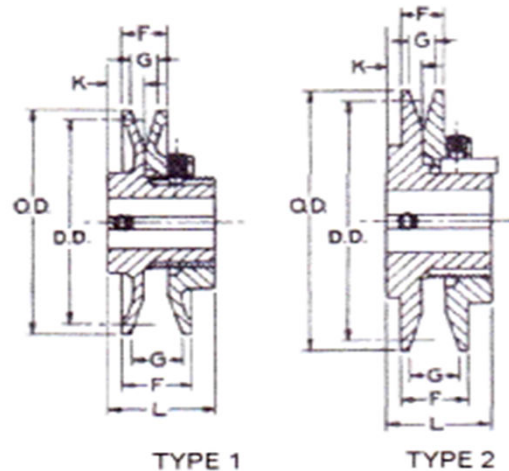
## Cast Iron Sheaves

## 1VP

Single Groove Variable Pitch Sheaves for "3L", "4L", "5L", "A", "B" or "5v" Belts

Part No.	Type	DIAMETER RANGE																Stock Bores
		"3L" BELTS				"4L" or "A" BELTS				"5L" or "B" BELTS				"5V" BELTS				
		Min. Pitch	Turns Open	Max. Pitch	Turns Open	Min. Pitch	Turns Open	Max. Pitch	Turns Open	Min. Pitch	Turns Open	Max. Pitch	Turns Open	Min. Pitch	Turns Open	Max. Pitch	Turns Open	
1VP25	1	1.4	4	2.2	0													1/2
1VP30	1	1.80	4.00	2.70	0.00													1/2, 5/8, 3/4
1VP34	1	1.70	4.00	2.50	0.00	1.90	5.00	2.90	0.00	2.40	5.00	3.20	1.00					1/2, 5/8, 3/4, 7/8
1VP40	1	2.30	4.00	3.10	0.00	2.40	5.00	3.40	0.00	2.70	6.00	3.70	1.00					1/2, 5/8, 3/4
1VP44	1	2.70	4.00	3.50	0.00	2.80	5.00	3.80	0.00	3.10	6.00	4.10	1.00					7/8, 1, 1 1/8
1VP44	2	2.70	4.00	3.50	0.00	2.80	5.00	3.80	0.00	3.10	6.00	4.10	1.00					7/8, 1, 1 1/8
1VP50	2	3.30	4.00	4.10	0.00	3.40	5.00	4.40	0.00	3.70	6.00	4.70	1.00					7/8, 1, 1 1/8
1VP50	2	3.30	4.00	4.10	0.00	3.40	5.00	4.40	0.00	3.70	6.00	4.70	1.00					7/8, 1, 1 1/8
1VP56	1	3.90	4.00	4.70	0.00	4.00	5.00	5.00	0.00	4.30	6.00	5.30	1.00					1/2, 5/8, 3/4
1VP56	2	3.90	4.00	4.70	0.00	4.00	5.00	5.00	0.00	4.30	6.00	5.30	1.00					7/8, 1, 1 1/8
1VP60	2					4.20	5.00	5.20	0.00	4.30	6.00	5.50	0.00					3/4, 7/8, 1 1/8, 1 3/8, 1 5/8
1VP62	2	4.50	4.00	5.30	0.00	4.60	5.00	5.60	0.00	4.90	6.00	5.90	1.00	5.3	6	6.3	1	5/8, 3/4, 7/8, 1, 1 1/8, 1 1/4, 1 3/8
1VP65	2					4.70	5.00	5.70	0.00	4.80	6.00	6.00	0.00	5.2	6	6.4	0	3/4, 7/8, 1 1/8, 1 3/8, 1 5/8
1VP68	2	5.10	4.00	5.90	0.00	5.20	5.00	6.20	0.00	5.50	6.00	6.50	1.00	5.9	6	6.9	1	5/8, 3/4, 7/8, 1, 1 1/8, 1 1/4, 1 3/8
1VP71	2					5.30	5.00	6.30	0.00	5.40	6.00	6.60	0.00	5.8	6	7.0	0	3/4, 7/8, 1 1/8, 1 3/8, 1 5/8
1VP75	2					5.70	5.00	6.70	0.00	5.80	6.00	7.00	0.00	6.2	6	7.4	0	3/4, 7/8, 1 1/8, 1 3/8, 1 5/8

Part No.	Type	O.D.	F		G		L	K	Wt. Lbs.
			Max.	Min.	Max.	Min.			
1VP25	1	2.32	13/16	9/16	5/8	3/8	1 19/32	5/8	0.70
1VP30	1	2.87	13/16	9/16	5/8	3/8	1 21/32	19/32	1.10
1VP34	1	3.15	1	11/16	13/16	1/2	1 7/8	21/32	1.40
1VP40	1	3.75	1 1/16	11/16	7/8	1/2	1 7/8	21/32	1.90
1VP44	1	4.15	1 1/16	11/16	7/8	1/2	1 7/8	21/32	2.40
1VP44	2	4.15	1 1/8	3/4	7/8	1/2	1 7/8	11/16	2.90
1VP50	1	4.75	1 1/16	11/16	7/8	1/2	2	25/32	2.90
1VP50	2	4.75	1 1/8	3/4	7/8	1/2	1 7/8	11/16	3.60
1VP56	1	5.35	1 1/16	11/16	7/8	1/2	1 7/8	21/32	3.80
1VP56	2	5.35	1 1/8	3/4	7/8	1/2	1 7/8	11/16	4.40
1VP60	2	6.00	1 1/4	7/8	1 1/32	21/32	1 21/32	7/16	6.50
1VP62	2	5.95	1 1/8	3/4	7/8	1/2	1 29/32	21/32	6.10
1VP65	2	6.50	1 1/4	7/8	1 1/32	21/32	1 21/32	7/16	6.80
1VP68	2	6.55	1 1/8	3/4	7/8	1/2	1 29/32	21/32	7.30
1VP71	2	7.10	1 1/4	7/8	1 1/32	21/32	1 21/32	7/16	8.20
1VP75	2	7.50	1 1/4	7/8	1 1/32	21/32	1 21/32	7/16	9.20





# TRITAN

PRECISION POWER TRANSMISSION COMPONENTS

## Cast Iron Sheaves

## 2VP

Two Groove Variable Pitch Sheaves for "3L", "4L", "5L", "A", "B" or "5v" Belts

Part No.	Type	DIAMETER RANGE																Stock Bores
		"3L" BELTS				"4L" or "A" BELTS				"5L" or "B" BELTS				"5V" BELTS				
		Min. Pitch	Turns Open	Max. Pitch	Turns Open	Min. Pitch	Turns Open	Max. Pitch	Turns Open	Min. Pitch	Turns Open	Max. Pitch	Turns Open	Min. Pitch	Turns Open	Max. Pitch	Turns Open	
2VP36	4	1.90	4.00	2.70	0.00	2.00	5.00	3.00	0.00	2.50	5.00	3.30	1.00					1/2, 5/8, 3/4, 7/8
2VP42	4	2.50	4.00	3.30	0.00	2.60	5.00	3.60	0.00	2.90	6.00	3.90	1.00					5/8, 3/4, 7/8, 1, 1 1/8
2VP50	5	3.30	4.00	4.10	0.00	3.40	5.00	4.40	0.00	3.70	6.00	4.70	1.00					5/8, 3/4, 7/8, 1, 1 1/8
2VP56	5	3.90	4.00	4.70	0.00	4.00	5.00	5.00	0.00	4.30	6.00	5.30	1.00					5/8, 3/4, 7/8, 1, 1 1/8
2VP60	5					4.20	5.00	5.20	0.00	4.30	6.00	5.50	0.00					3/4, 7/8, 1 1/8, 1 3/8, 1 5/8
2VP62	5	4.50	4.00	5.30	0.00	4.60	5.00	5.60	0.00	4.90	6.00	5.90	1.00	5.3	6	6.3	1	3/4, 7/8, 1, 1 1/8, 1 1/4, 1 3/8
2VP65	5					4.70	5.00	5.70	0.00	4.80	6.00	6.00	0.00	5.2	6	6.4	0	3/4, 7/8, 1 1/8, 1 3/8, 1 5/8
2VP68	5	5.10	4.00	5.90	0.00	5.20	5.00	6.20	0.00	5.50	6.00	6.50	1.00	5.9	6	6.9	1	7/8, 1, 1 1/8, 1 1/4, 1 3/8
2VP71	5					5.30	5.00	6.30	0.00	5.40	6.00	6.60	0.00	5.8	6	7.0	0	3/4, 7/8, 1 1/8, 1 3/8, 1 5/8
2VP75	5					5.70	5.00	6.70	0.00	5.80	6.00	7.00	0.00	6.2	6	7.4	0	3/4, 7/8, 1 1/8, 1 3/8, 1 5/8

Part No.	Type	O.D.	F		G		L	K	Wt. Lbs.
			Max.	Min.	Max.	Min.			
2VP36	4	3.35	2	1 3/8	13/16	1/2	3	1 3/16	3.40
2VP42	4	3.95	2 1/8	1 3/8	7/8	1/2	3	1 3/16	4.40
2VP50	5	4.75	2 1/8	1 3/8	7/8	1/2	3	1 3/16	6.30
2VP56	5	5.35	2 1/8	1 3/8	7/8	1/2	3	1 3/16	7.80
2VP60	5	6.00	2 3/8	1 5/8	1 1/32	21/32	3 1/4	1 1/4	10.60
2VP62	5	5.95	2 1/8	1 3/8	7/8	1/2	3	1 3/16	10.00
2VP65	5	6.50	2 3/8	1 5/8	1 1/32	21/32	3 1/4	1 1/4	12.30
2VP68	5	6.55	2 1/8	1 3/8	7/8	1/2	3	1 3/16	11.70
2VP71	5	7.10	2 3/8	1 5/8	1 1/32	21/32	3 1/4	1 1/4	14.60
2VP75	5	7.50	2 3/8	1 5/8	1 1/32	21/32	3 1/4	1 1/4	16.50

### Standard Keyseats

Bore Range	Keyseat
1/2	None
5/8-7/8	3/16x 3/32
1-1 1/4	1/4 x 1/8"
1 3/8	5/16x5/32

