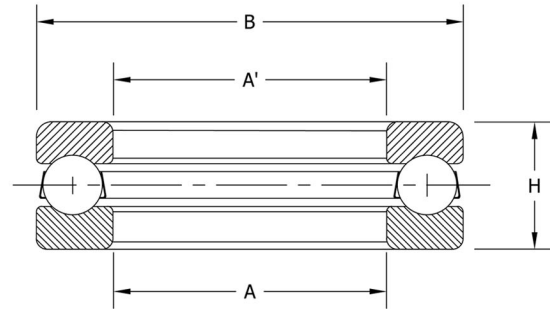


Ball Thrust Bearing

- Medium Cross Section
- Single Direction
- Grooved Races



PART NUMBER	A		A ¹	B		H		BALLS		LOAD RATING Lbs.		SPEED LIMIT	BEARING WEIGHT Lbs.
	MM	INCH	INCH	MM	INCH	MM	INCH	No.	SIZE	STATIC	DYNAMIC		
900	10	0.3937	0.402	25	0.984	12	0.472	8	0.219	2950	2950	8800	0.08
902	15	0.5906	0.598	35	1.378	14	0.551	9	0.281	5500	4850	6800	0.15
904	20	0.7874	0.795	40	1.575	14	0.551	10	0.281	6100	4900	6400	0.20
905	25	0.9843	0.992	48	1.890	15.5	0.61	12	0.313	9050	6450	5500	0.31
906	30	1.1811	1.189	53	2.087	15.5	0.61	13	0.313	9800	6600	5300	0.31
907	35	1.3780	1.386	62	2.441	18	0.709	12	0.375	13000	8850	4500	0.47
908	40	1.5748	1.583	64	2.520	18	0.709	14	0.375	15200	9550	4500	0.46
909	45	1.7717	1.780	73	2.874	22	0.866	16	0.406	20400	11900	3650	0.78
910	50	1.9685	1.976	78	3.071	22	0.866	16	0.438	23700	13600	3575	0.82
911	55	2.1654	2.173	88	3.465	24.5	0.965	16	0.500	30900	17400	3200	1.30
912	60	2.3622	2.370	90	3.543	24.5	0.965	18	0.438	26600	14000	3150	1.20
913	65	2.5591	2.567	100	3.937	27	1.063	16	0.500	30900	16700	2800	1.60
914	70	2.7559	2.764	103	4.055	27	1.063	19	0.500	36700	18400	2750	1.60
915	75	2.9528	2.961	110	4.331	27	1.063	20	0.500	38700	18600	2725	1.90
916	80	3.1496	3.228	115	4.528	29	1.142	18	0.563	44000	21900	2550	2.10
917	85	3.3465	3.354	125	4.921	30.5	1.201	18	0.625	54400	26800	2375	2.60
918	90	3.5433	3.551	135	5.315	30.5	1.201	16	0.688	58500	29600	2275	3.10
919	95	3.7402	3.748	140	5.512	32.5	1.280	19	0.688	69400	32700	2150	3.50
920	100	3.9370	3.945	150	5.906	32.5	1.280	16	0.750	69600	64500	2100	4.60
921	105	4.1339	4.142	155	6.102	40	1.575	17	0.813	86800	42000	1850	5.30
922	110	4.3307	4.339	160	6.299	40	1.575	18	0.813	91900	43100	1800	6.20
923	115	4.5276	4.535	165	6.496	43	1.693	18	0.813	91900	42600	1725	7.00
924	120	4.7244	4.723	170	6.693	43	1.693	20	0.813	102000	45200	1700	7.40
925	125	4.9213	4.929	175	6.890	46.5	1.831	20	0.813	91900	41800	1600	8.30
926	130	5.1181	5.126	180	7.087	46.5	1.831	20	0.813	102000	44400	1585	8.40
928	140	5.5118	5.520	200	7.874	52	2.047	20	0.938	136000	58300	1340	11.3

Materials: Rings and balls are constructed of thru-hardened 52100 steel. Retainer is constructed of high quality low carbon steel or machined bronze.

US Corporate Headquarters:
2100 Pacific Street,
Hauppauge NY, 11788



Email: sales@tritanpt.com
Phone: 800-645-5088
www.tritanpt.com