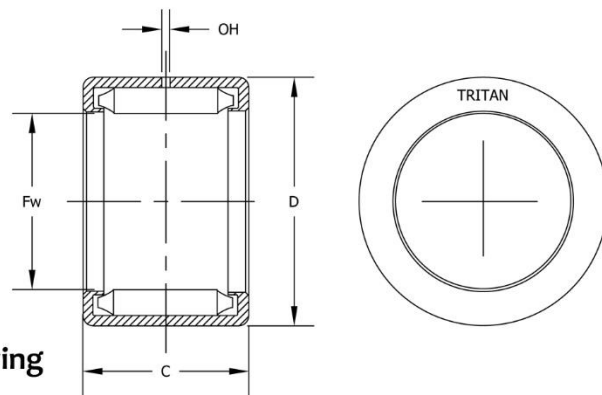


## Drawn Cup Needle Roller Bearings

Drawn Cup needle bearings are designed to support radial loads and reduce friction between rotating components with a drawn outer shell acting as a raceway for the rollers. The inward turned lips of the cup are used to mechanically retain a full complement of rollers. The low cross section of the drawn cup, provides the maximum load carrying within the smallest amount of space.

This full complement design (no cage) permits a high radial load carrying capacity. Bearings with the OH suffix include an oil hole in the outer diameter for relubrication. These bearings are easily installed with a press fit in the housing.

Drawn cup needle bearings are used in a wide variety of applications such as transmissions, transfer cases, steering and braking systems, axel supports, power tools, fax machines/copiers, and household appliances.



Shaft Diameter (in.)	Bore (Fw)	Outside Diameter (D)	Width (C)	Bearing Designation	Dynamic Load C (Lbs)	Static Load Co (Lbs)	Approx. Wgt. (lbs.)
3/16	0.1875"	0.34375"	0.3750"	B36	850	950	0.006
5/16	0.3125"	0.50000"	0.3120"	B55 OH	920	1030	0.009
	0.3125"	0.50000"	0.3750"	B56 OH	1180	1420	0.010
	0.3125"	0.50000"	0.7380"	B57 OH	1420	1820	0.011
3/8	0.3750"	0.56250"	0.3750"	B66 OH	1310	1710	0.013
	0.3750"	0.56250"	0.6250"	B610 OH	2340	3590	0.020
	0.3750"	0.62500"	0.5000"	BH68 OH	2100	2460	0.020
	0.5000"	0.68750"	0.3125"	B85 OH	1200	1660	0.009
1/2	0.5000"	0.68750"	0.3750"	B86 OH	1540	2280	0.010
	0.5000"	0.68750"	0.5000"	B88 OH	2160	3530	0.020
	0.5000"	0.68750"	0.6785"	B810 OH	2750	4800	0.024
	0.5000"	0.68750"	0.7500"	B812 OH	3300	6060	0.040
	0.5000"	0.75000"	0.7500"	BH812 OH	3910	5790	0.040
	0.5625"	0.75000"	0.5000"	B98 OH	2320	3990	0.020
5/8	0.6250"	0.81250"	0.3120"	B105 OH	1360	2080	0.010
	0.6250"	0.81250"	0.4380"	B107 OH	2110	3650	0.022
	0.6250"	0.81250"	0.5000"	B108 OH	2450	4430	0.026
	0.6250"	0.81250"	0.6250"	B1010 OH	3110	6000	0.030
	0.6250"	0.81250"	0.7500"	B1012 OH	3720	7580	0.030
11/16	0.6875"	0.93750"	0.6250"	BH1110 OH	3890	6250	0.040
3/4	0.7500"	1.00000"	0.5000"	B128 OH	3170	4940	0.046
	0.7500"	1.00000"	0.6250"	B1210 OH	4080	6820	0.040
	0.7500"	1.00000"	0.7500"	B1212 OH	4930	8710	0.050
	0.7500"	1.00000"	0.7500"	B1212 OH	4930	8710	0.050
13/16	0.8125"	1.06250"	0.5000"	B138 OH	3320	5350	0.040
7/8	0.8750"	1.06250"	0.5000"	B148 OH	3450	5760	0.048

US Corporate Headquarters:  
2100 Pacific Street,  
Hauppauge NY, 11788



Email: sales@tritanpt.com  
Phone: 800-645-5088  
www.tritanpt.com

## Drawn Cup Needle Roller Bearings



Shaft Diameter (in.)	Bore (Fw)	Outside Diameter (D)	Width (C)	Bearing Designation	Dynamic Load C (Lbs)	Static Load Co (Lbs)	Approx. Wgt. (lbs.)
	0.8750"	1.1250"	0.7500"	<b>B1412 OH</b>	5370	10200	0.075
	0.8750"	1.0625"	1.0000"	<b>B1416 OH</b>	7100	14600	0.080
	0.9375"	1.1875"	1.0000"	<b>B1516 OH</b>	7370	15600	0.090
1	1.0000"	1.25000"	0.3750"	<b>B166 OH</b>	2550	4070	0.041
	1.0000"	1.25000"	0.5000"	<b>B168 OH</b>	3710	6590	0.044
	1.0000"	1.25000"	0.7500"	<b>B1612 OH</b>	5770	11600	0.080
	1.0000"	1.25000"	1.0000"	<b>B1616 OH</b>	7630	16700	0.100
	1.0000"	1.31250"	1.0000"	<b>BH1616 OH</b>	8200	15800	0.120
	1.0000"	1.31250"	1.2500"	<b>BH1620 OH</b>	10200	20900	0.180
1 1/8	1.1250"	1.37500"	0.5000"	<b>B188 OH</b>	3950	7420	0.050
	1.1250"	1.37500"	0.7500"	<b>B1812 OH</b>	6140	13100	0.080
	1.1250"	1.37500"	1.0000"	<b>B1816 OH</b>	8130	18800	0.110
1 1/4	1.2500"	1.50000"	0.7500"	<b>B2012 OH</b>	6490	14500	0.090
	1.2500"	1.50000"	1.0000"	<b>B2016 OH</b>	8590	20800	0.110
	1.2500"	1.50000"	1.2500"	<b>B2020 OH</b>	10600	27200	0.140
	1.2500"	1.50000"	1.7500"	<b>B2028 OH</b>	12000	30000	0.200
1 3/8	1.3750"	1.62500"	1.2500"	<b>B2220 OH</b>	11100	29900	0.200
	1.3750"	1.75000"	0.7500"	<b>BH2212 OH</b>	7930	14500	0.150
1 1/2	1.5000"	1.87500"	0.5000"	<b>B248 OH</b>	5020	8340	0.110
	1.5000"	1.87500"	0.8750"	<b>B2414 OH</b>	9780	19700	0.180
	1.5000"	1.87500"	1.0000"	<b>B2416 OH</b>	11200	23300	0.230
	1.5000"	1.87500"	1.2500"	<b>B2420 OH</b>	13900	31000	0.280
1 3/4	1.7500"	2.12500"	0.7500"	<b>B2812 OH</b>	8830	18300	0.180
	1.7500"	2.12500"	1.0000"	<b>B2816 OH</b>	12000	27100	0.240
	1.7500"	2.12500"	1.5000"	<b>B2824 OH</b>	17700	44800	0.375
2 1/4	2.2500"	2.62500"	0.7500"	<b>B3612 OH</b>	10300	23700	0.230
	2.2500"	2.62500"	1.5000"	<b>B3624 OH</b>	20700	57700	0.460
2 3/4	2.7500"	3.12500"	1.0000"	<b>B4416 OH</b>	15500	42800	0.370
	2.7500"	3.12500"	1.2500"	<b>B4420 OH</b>	19200	56700	0.500

US Corporate Headquarters:  
2100 Pacific Street,  
Hauppauge NY, 11788