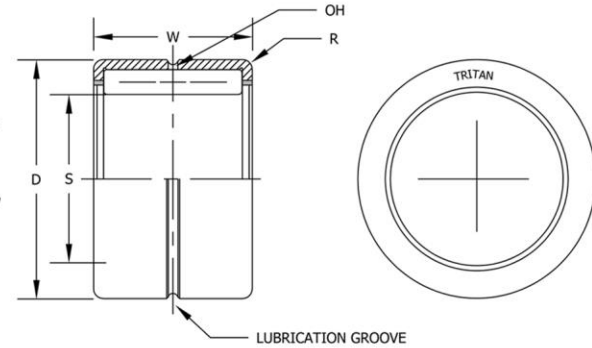


Heavy Duty Needle Roller Bearings

MR Series Needle Roller Bearings have a one piece channel-shaped outer ring providing maximum load capacity. Integral flanges provide axial location for the needle rollers while a steel cage provides inward retention. Available either open or with 2 contact lip seals, they are supplied with a lubrication groove and hole in the outer ring to facilitate lubrication.



MI Series inner rings can be used for applications where it is impractical to use the shaft as the inner raceway.

Shaft Diameter (in.)	Bore (S)	Outside Diameter (D)	Width (W)	Bearing Designation	Dynamic Load C (Lbs)	Static Load Co (Lbs)	Limiting Speed Oil (RPM)	Limiting Speed Grease (RPM)	Approx. Wgt. (lbs.)	Used with Inner Ring
5/8	0.6250"	1.1250"	0.75"	MR10	4350	4650	30000	20000	0.150	MI6
	0.6250"	1.1250"	0.75"	MR10 2RS	4350	4650	8000	12000	0.155	MI6
	0.6250"	1.1250"	0.75"	MR10N	4350	4650	30000	20000	0.120	MI6N
3/4	0.7500"	1.2500"	0.75"	MR12N	4650	5240	25000	16000	0.140	MI8N
	0.7500"	1.2500"	1.00"	MR12	6190	7580	25000	16000	0.170	MI8
	0.7500"	1.2500"	1.00"	MR12 2RS	4650	5240	7000	10000	0.171	MI8
7/8	0.8750"	1.3750"	0.75"	MR14N	5180	6270	21000	13000	0.160	MI10N
	0.8750"	1.3750"	1.00"	MR14	6910	9070	21000	13000	0.210	MI10
	0.8750"	1.3750"	1.00"	MR14 2RS	5180	6270	6000	8700	0.188	MI10
1	1.0000"	1.5000"	0.75"	MR16N	5680	7300	18000	12000	0.200	MI12N, MI13N
	1.0000"	1.5000"	1.00"	MR16	7560	10600	18000	12000	0.230	MI12, MI13
	1.0000"	1.5000"	1.00"	MR16 2RS	5680	7300	5000	7600	0.220	MI12, MI13
1 1/8	1.1250"	1.6250"	1.00"	MR18N	8170	12100	16000	10000	0.240	MI14N, MI15N
	1.1250"	1.6250"	1.25"	MR18	10100	15800	16000	10000	0.320	MI14, MI15
	1.1250"	1.6250"	1.25"	MR18 2RS	8170	12100	4500	6800	0.290	MI14, MI15
1 1/4	1.2500"	1.7500"	1.00"	MR20N	8410	12900	14000	9100	0.270	MI16N
	1.2500"	1.7500"	1.25"	MR20	10400	16900	14000	9100	0.340	MI16
	1.2500"	1.7500"	1.25"	MR20 2RS	8410	12900	4000	6100	0.380	MI16
	1.3750"	1.8750"	1.00"	MR22N	8950	14400	13000	8200	0.310	MI18N
1 1/2	1.3750"	1.8750"	1.25"	MR22	11100	18900	13000	8200	0.360	MI18
	1.3750"	1.8750"	1.25"	MR22 2RS	8950	14400	3600	5600	0.410	MI18
	1.5000"	2.0625"	1.00"	MR24N	10700	16300	12000	7600	0.410	MI20N
	1.5000"	2.0625"	1.25"	MR24	13200	21400	12000	7600	0.470	MI19, MI20
1 5/8	1.5000"	2.0625"	1.25"	MR24 2RS	10700	16300	3300	5100	0.440	MI19, MI20
	1.6250"	2.1875"	1.00"	MR26N	10900	17200	11000	7000	0.460	MI21N
	1.6250"	2.1875"	1.25"	MR26	13500	22600	11000	7000	0.510	MI21, MI22-4S
	1.6250"	2.1875"	1.25"	MR26 2RS	10900	17200	3200	4800	0.470	MI21, MI22-4S
1 3/4	1.7500"	2.3125"	1.00"	MR28N	11200	18200	9900	7000	0.470	MI22N, MI23N, MI24N
	1.7500"	2.3125"	1.25"	MR28	13900	23900	9900	6400	0.550	MI22, MI23, MI24
	1.7500"	2.3125"	1.25"	MR28 2RS	11200	18100	2900	4400	0.510	MI22, MI23, MI24
1 7/8	1.8750"	2.4375"	1.00"	MR30N	14700	26300	9200	6000	0.510	IR253020
	1.8750"	2.4375"	1.25"	MR30	14700	26300	9200	6000	0.590	MI25-4S
	1.8760"	2.4376"	1.26"	MR30 2RS	14700	26300	2000	3000	0.530	MI25-4S
1 15/16	1.9375"	2.5000"	MR31	12000	22000	6000	6000	0.600	MI26-2S	

US Corporate Headquarters:
2100 Pacific Street,
Hauppauge NY, 11788

Heavy Duty Needle Roller Bearings



Shaft Diameter (in.)	Bore (S)	Outside Diameter (D)	Width (W)	Bearing Designation	Dynamic Load C (Lbs)	Static Load Co (Lbs)	Limiting Speed Oil (RPM)	Limiting Speed Grease (RPM)	Approx. Wgt. (lbs.)	Used with Inner Ring
2	2.0000"	2.5625"	1.00"	MR32N	12100	20900	8600	5600	0.550	MI26N, MI27N
	2.0000"	2.5625"	1.25"	MR32	15000	27500	8600	5600	0.610	MI25, MI26, MI27
	2.0000"	2.5625"	1.25"	MR32 2RS	12000	20700	1300	2000	0.570	MI25, MI26, MI27
2 1/4	2.2500"	3.0000"	1.50"	MR36N	20200	36900	7600	5000	1.130	MI28N
	2.2500"	3.0000"	1.75"	MR36	23400	44500	7600	5000	1.320	MI30
	2.2500"	4.0000"	1.76"	MR36 2RS	22400	39100	1100	1700	1.250	MI30
2 1/2	2.5000"	3.2500"	1.50"	MR40N	21800	42100	6800	4400	1.230	MI31N, MI32N
	2.5000"	3.2500"	1.75"	MR40	25200	50800	6800	4400	1.440	MI31, MI32
	2.5000"	3.2500"	1.75"	MR40 2RS	23400	42900	1000	1530	1.390	MI31, MI32
2 3/4	2.7500"	3.5000"	1.50"	MR44N	22700	45700	6200	4000	1.360	MI36N
	2.7500"	3.5000"	1.75"	MR44	26300	55100	6200	4000	1.580	MI35, MI36
	2.7500"	3.5000"	1.75"	MR44 2RS	24500	46700	900	1390	1.580	MI35, MI36
3	3.0000"	3.7500"	1.50"	MR48N	24100	50900	5600	3700	1.530	MI40N
	3.0000"	3.7500"	1.75"	MR48	27900	61400	5600	3700	1.700	MI38, MI39, MI40
	3.0000"	3.7500"	1.75"	MR48 2RS	27900	61400	900	1400	1.680	MI38, MI39, MI40
3 1/4	3.2500"	4.2500"	1.75"	MR52	41300	80500	5300	3400	2.640	MI44
3 1/2	3.5000"	4.5000"	2.00"	MR56	42000	84300	4900	3200	2.730	MI47, MI48
	3.5000"	4.5000"	2.00"	MR56 2RS	42000	84300	800	1200	2.950	MI47, MI48
3 3/4	3.7500"	4.7500"	2.00"	MR60	36000	85000	3200	3000	3.380	MI50, MI52
4	4.0000"	5.0000"	2.00"	MR64	37000	90000	3000	2400	3.560	MI54, MI56
4 1/4	4.2500"	5.2500"	2.00"	MR68	39000	100000	2800	2200	3.740	MI60
4 1/2	4.5000"	6.0000"	2.25"	MR72	55000	125000	2500	2000	7.130	MI62
5	5.0000"	6.5000"	2.25"	MR80	60000	140000	2400	1900	7.780	MI64, MI68
5 1/2	5.5000"	7.0000"	2.50"	MR88N	70200	169800	2300	1800	10.400	MI72N
	5.5000"	7.0000"	3.00"	MR88	64000	142000	2180	1700	11.820	MI72
	5.5000"	8.0000"	2.50"	MR104N	65000	175000	1900	1500	11.850	MI88N
6	5.5000"	8.0000"	3.00"	MR104	65000	175000	1800	1400	13.550	MI88
	6.0000"	7.5000"	2.50"	MR96N	72000	170000	1900	1450	11.080	MI80N
	6.0000"	7.5000"	3.00"	MR96	72000	170000	1800	1400	12.690	MI80
7 1/4	7.2500"	9.1250"	3.00"	MR116	90000	225000	1600	1200	19.320	MI96
7 3/4	7.7500"	9.6250"	3.00"	MR124	95000	230000	1200	900	19.800	MI04
8 1/4	8.2500"	10.125"	3.00"	MR132	97000	240000	1000	800	21.630	MI112
9 1/4	9.2500"	11.125"	3.00"	MR148	100000	285000	900	750	24.000	MI128

Seals limit the operating temperature to -25 to 225° F

US Corporate Headquarters:
2100 Pacific Street,
Hauppauge NY, 11788



Email: sales@tritanpt.com
Phone: 800-645-5088
www.tritanpt.com